

USER GUIDE

SR-2701B

Electronic relay with DALI signal control



www.leflighting.it

General characteristics

Plastic case
Device for independent mounting
Electric class protection II
Protection degree IP20

Reference Standards

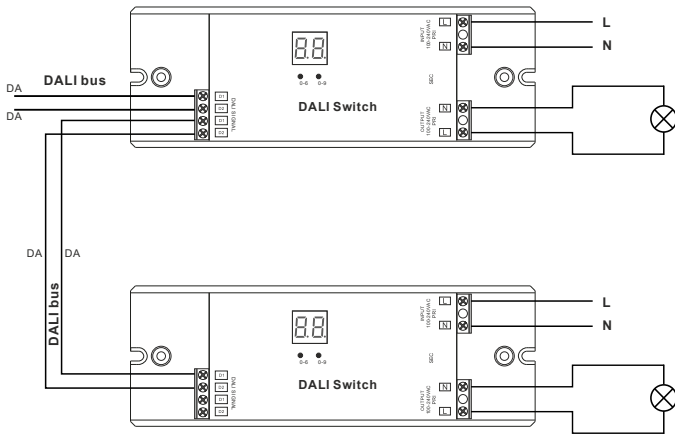
EN 55015
EN 61000-3-2
EN 61000-3-3
EN 61347-1
EN 61347-2-13
EN 61547
EN 62386-101
EN 62386-102
EN 62386-207

ATTENTION:

The installation of the product must be followed by qualified personnel.
If the product is used for purposes other than the original ones or if it is connected incorrectly, LEF Lighting S.R.L. will not accept any responsibility for damages caused.

CODICE CODE	Funzione Function	Comando Command	RESISTIVO RESISTIVE Lampade ad incandescenza o alogene Incandescent or halogen lamps 230Vac	INDUTTIVO INDUCTIVE Trasformatore lamellare Laminated transformer 230/12Vac	INDUTTIVO INDUCTIVE Trasformatore toroidale Toroidal transformer 230/12Vac	Alimentatore elettronico con lampade ad incandescenza o alogene Electronic driver with incandescent or halogen lamps 230/12Vac	Alimentatore elettronico per LED Electronic driver with CC/CV output for LED 230Vac	Lampade fluorescenti compatte Compact fluorescent lamps 230Vac	Lampade LED LED lamps 230Vac	Moduli LED LED modules Seoul ACRICH 230Vac	Strip LED Strip LED 230Vac	Peso Weight (g) 110
SR-2701B	RELÈ	DALI	1150W	500W	500W	500W	500W	500W	500W	1150W	1150W	110

DISPLAY	DALI DT6	DALI	OUT RELÈ
---------	----------	------	----------



Technical Features

Input voltage range 110-240Vac
Input frequency 50÷60Hz
Relay (max 1150W@230Vac)
Control thorough:
- DALI signal
With manual DALI channel addressing function (via push-buttons and display)
DALI consumption <3mA
Manageable power (see table)
Short circuit protection (SCP)
Operating ambient temperature Ta -20°C ÷ +50°C
Max case temperature on Tc 75°C

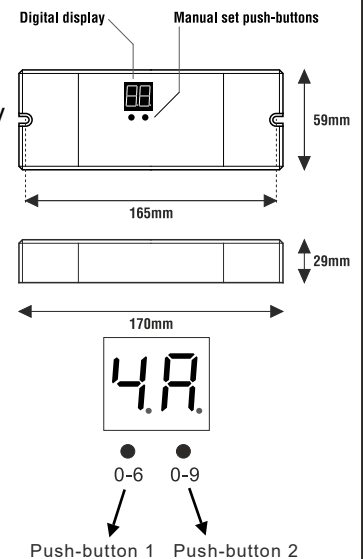
MANUAL ASSIGNMENT OF THE DALI ADDRESS VIA BUTTONS

- Press and hold one of the two buttons "0-6" and "0-9" until the numeric display flashes, then release the button.
- Press once on one of the two buttons "0-6" and "0-9" to select a digit, press again to modify the digit to the desired value. Press the first button "0-6" to set the "tens" position and press the second button "0-9" to set the position of the "units". DALI address can be set from "00" to "63".
- Press and hold any of the two buttons until the numeric display stops flashing for confirm the settings.
- The device occupies one DALI address

N.B. : The DALI address can be manually assigned from "00" to "63" and "FF".

To set the "FF" value arrive to channel "63" and then press the "0-9" button once.

Setting the "FF" address will restore the dimmer to the factory settings.



ASSIGNMENT OF THE DALI ADDRESS VIA DALI MASTER

The DALI address can be automatically assigned by the DALI MASTER controller.

Follow the instructions in the DALI MASTER manual.

N.B. The digital display shows the "AU" symbol when the DALI MASTER is assigning the addresses.

MADE IN P.R.C.



PRODUCT TO BE DISPOSED DIFFERENTLY FROM URBAN WASTE
AEE Identification nr.IT1804000010321

[AA] Rev. v1.11 28/07/2023

LEF LIGHTING S.R.L. | www.leflighting.it

Viale L.Ariosto 478/480 - 50019 Sesto Fiorentino (FI) - ITALY | Tel +39 055 421 77 27 - Fax +39 055 425