

USER GUIDE

SR-2303P4IN1

Dimming interface for voltage LED 12-24-36Vdc (CV) with push-button, DALI, 0/1-10V and Phase-cut (TF) signal control IP20



www.leflighting.it

General Characteristics

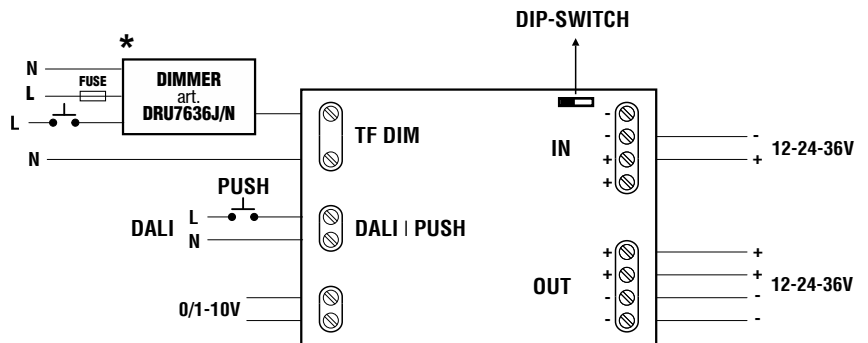
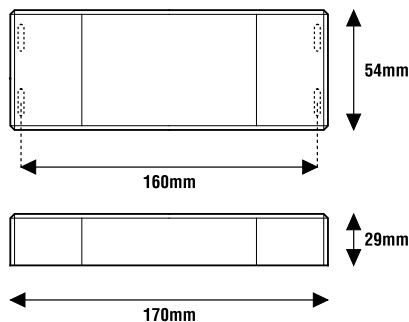
Plastic case
Device for independent mounting
Electric class protection II
Protection degree IP20

Reference Standards

EN 62386-101
EN 62386-102
EN 62386-207

CODICE CODE	Tensione di ingresso Input voltage (Vdc)	Tensione di uscita Output voltage (Vdc)	Corrente di uscita Output current (A)			Potenza di uscita Output power (W)			Comando Command	CC CV	Peso Weight (g)
			@12Vdc	@24Vdc	@36Vdc	@12Vdc	@24Vdc	@36Vdc			
*SR-2303P4IN1	12-24-36	12-24-36	2x10	2x10	2x10	2x120	2x240	2x360	PUSH DALI 0/1-10V TRIAC-IGBT	CV	130

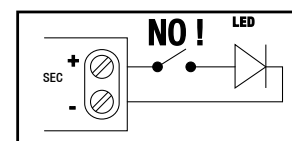
MODE	DIP-SWITCH	Facrotty setting
DALI		Facrotty setting
PUSH 230Vac		Facrotty setting
0/1-10V		Facrotty setting
Phase Cut Dim		Facrotty setting



* **NOTE:**
THE DEVICE SR-2303P4IN1 IS NOT
COMPATIBLE WITH 3 WIRE DIMMERS

Technical Features

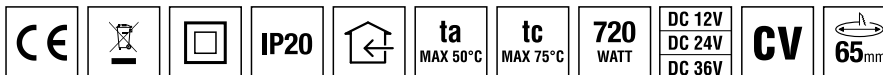
Input voltage range 12-24-36Vdc
Output voltage range 12-24-36Vdc
Brightness regulator for LED modules 12-24-36Vdc
Brightness adjustment through (factory settings):
- push-button (PUSH 230Vac)
- DALI signal
- 0-10V signal
- 1-10V signal
Phase-cut Brightness adjustment with mode:
- TRIAC Leading Edge
- IGBT Trailing Edge
DALI consumption 2mA
Manageable power (see table)
Operating ambient temperature Ta -20°C ÷ +50°C
Max case temperature on Tc 75°C



N.B.
Power supply not suitable for
no-load operation.

ATTENTION:
The installation of the product must be
followed by qualified personnel.
If the product is used for purposes other
than the original ones or if it is connected
incorrectly, LEF Lighting S.R.L. will not
accept any responsibility for damages
caused.

PRODUCT TO BE DISPOSED
DIFFERENTLY FROM URBAN WASTE
AEE Identification nr.IT1804000010321



MADE IN P.R.C.

USER GUIDE

SR-2303P4IN1

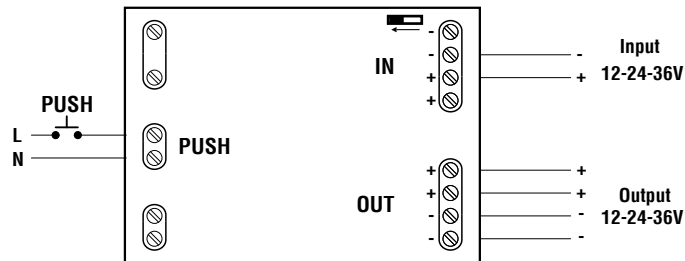
Wiring diagrams



PUSH-BUTTON mode (PUSH 230Vac)

MODE	DIP-SWITCH
PUSH 230Vac	

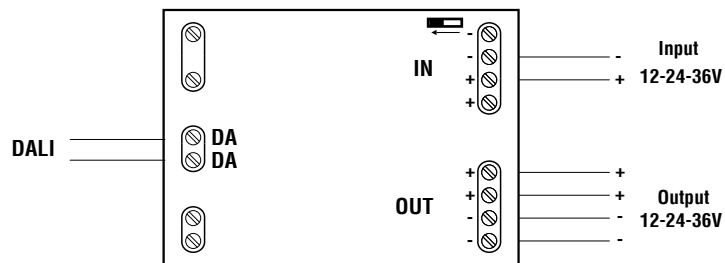
Factory setting



DALI mode

MODE	DIP-SWITCH
DALI	

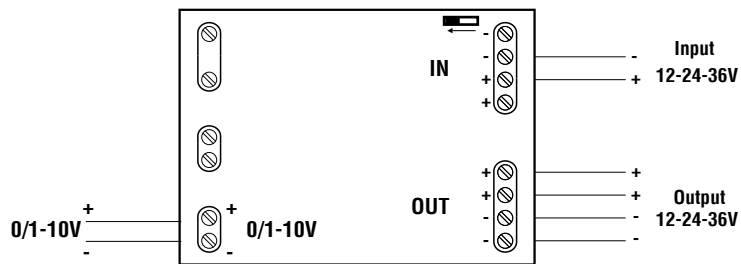
Factory setting



0/1-10V mode

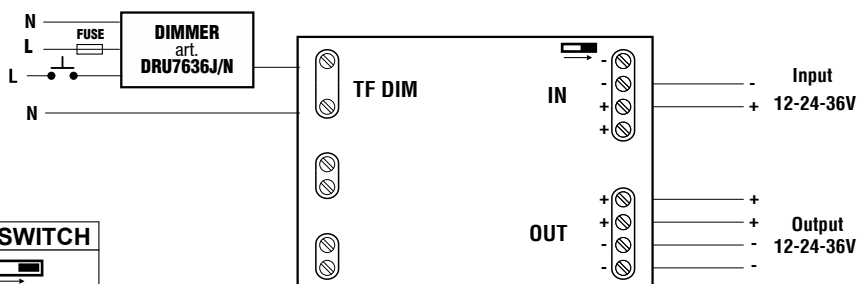
MODE	DIP-SWITCH
0/1-10V	

Factory setting



Phase-Cut Leading Edge (TRIAC) - Trailing Edge (IGBT) mode

NOTE: DRU7636J/N is a 4 wire dimmer



MODE	DIP-SWITCH
Phase Cut Dim	

Dimmerazione a Taglio di Fase ascendente (a inizio fase) TRIAC Leading Edge
Ascending Phase Cutting Dimming (at the beginning of the phase) TRIAC Leading Edge

Dimmerazione a Taglio di Fase discendente (a fine fase) IGBT Trailing Edge
Descending Phase Cutting dimming (at the end of the phase) IGBT Trailing Edge

[AA] Rev. v1.10 08/03/2023