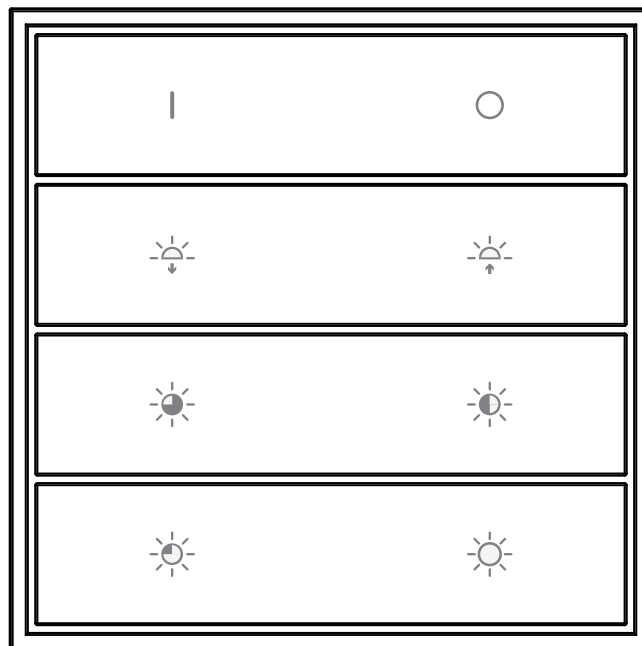


OPTIMA-1 DIM

MULTIFUNCTIONAL transmitters.
Pre-assigned key function.

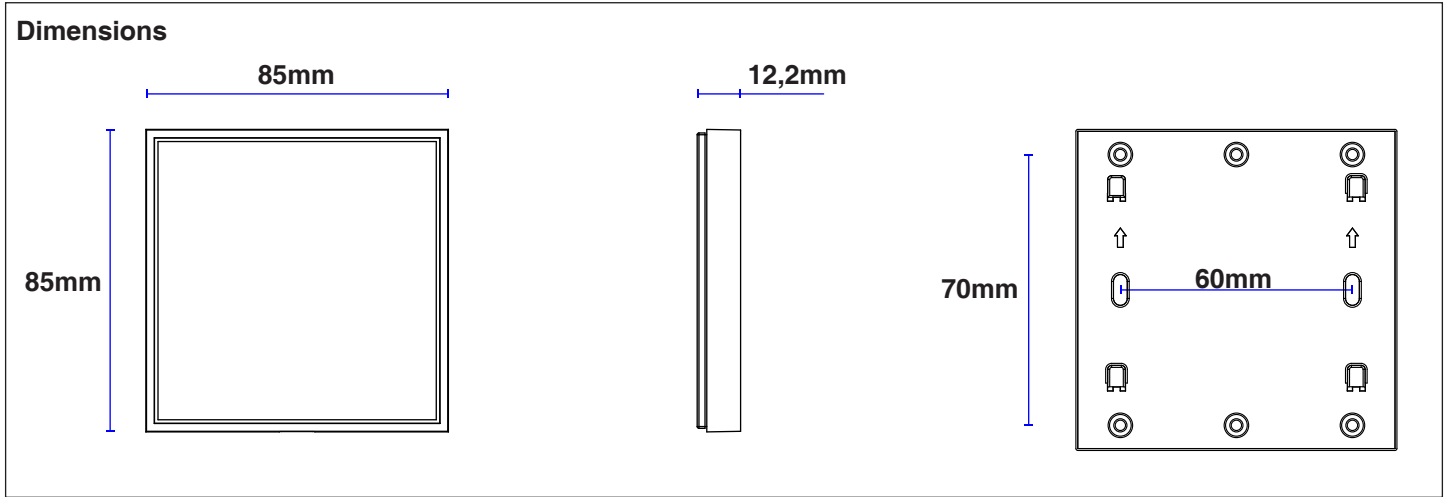


Wall radio keyboard, 1 channels with dimmer functions.
Power supply with CR2450 battery.

1 - PRODUCT FEATURES

1.1 TECHNICAL DATA

Power supply	CR2450 Battery
Button number / channels	8 buttons for one dimmable load
Radio frequency	433.920MHz
Mounting	External
Degree	IP20



2 - USE OF TRANSMITTER

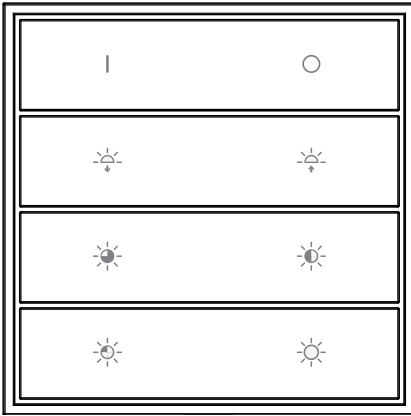
START-UP

- Insert the battery and attach the transmitter to the wall if necessary, see paragraph 3
- Follow the procedure for associate at least one button with a compatible receiver, see at paragraph 4
- Each press of a button will turn on a led between the buttons in the center of the transmitter

FUNCTION OF THE BUTTON WITH ONE COLOR DIMMER CONTROL UNIT

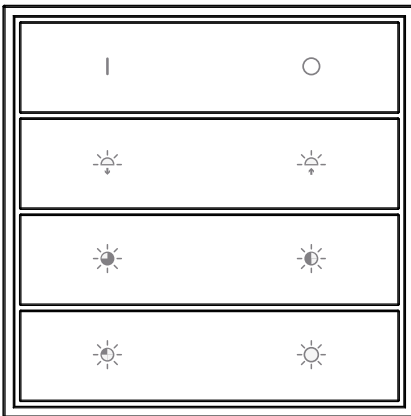
ICON	SHORT PRESS	LONG PRESS
	On	/
○	Off	/
☼	Step dimmer Down	Graduate dimmer Down
☼	Step dimmer Up	Graduate dimmer Up
☼	25%	/
☼	50%	/
☼	75%	/
☼	100%	/

FUNCTION OF THE BUTTON WITH ON/OFF CONTROL UNIT



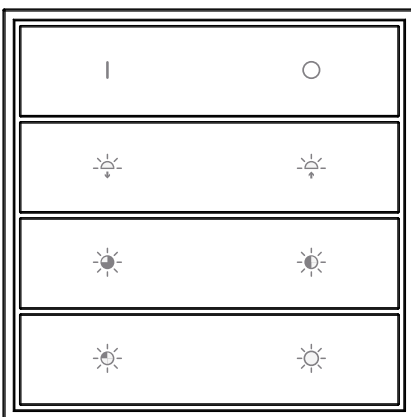
ICON	SHORT PRESS	LONG PRESS
	On	/
○	Off	/
☀	/	/
☀	/	/
☀	/	/
☀	/	/
☀	/	/
☀	/	/

FUNCTION OF THE BUTTON WITH RGB OR RGBW DIMMER CONTROL UNIT



ICON	SHORT PRESS	LONG PRESS
	On	/
○	Off	/
☀	Step dimmer Down	Graduate dimmer Down
☀	Step dimmer Up	Graduate dimmer Up
☀	25%	/
☀	50%	/
☀	75%	/
☀	100%	/

FUNCTION OF THE BUTTON WITH TUNABLE WHITE CONTROL UNIT

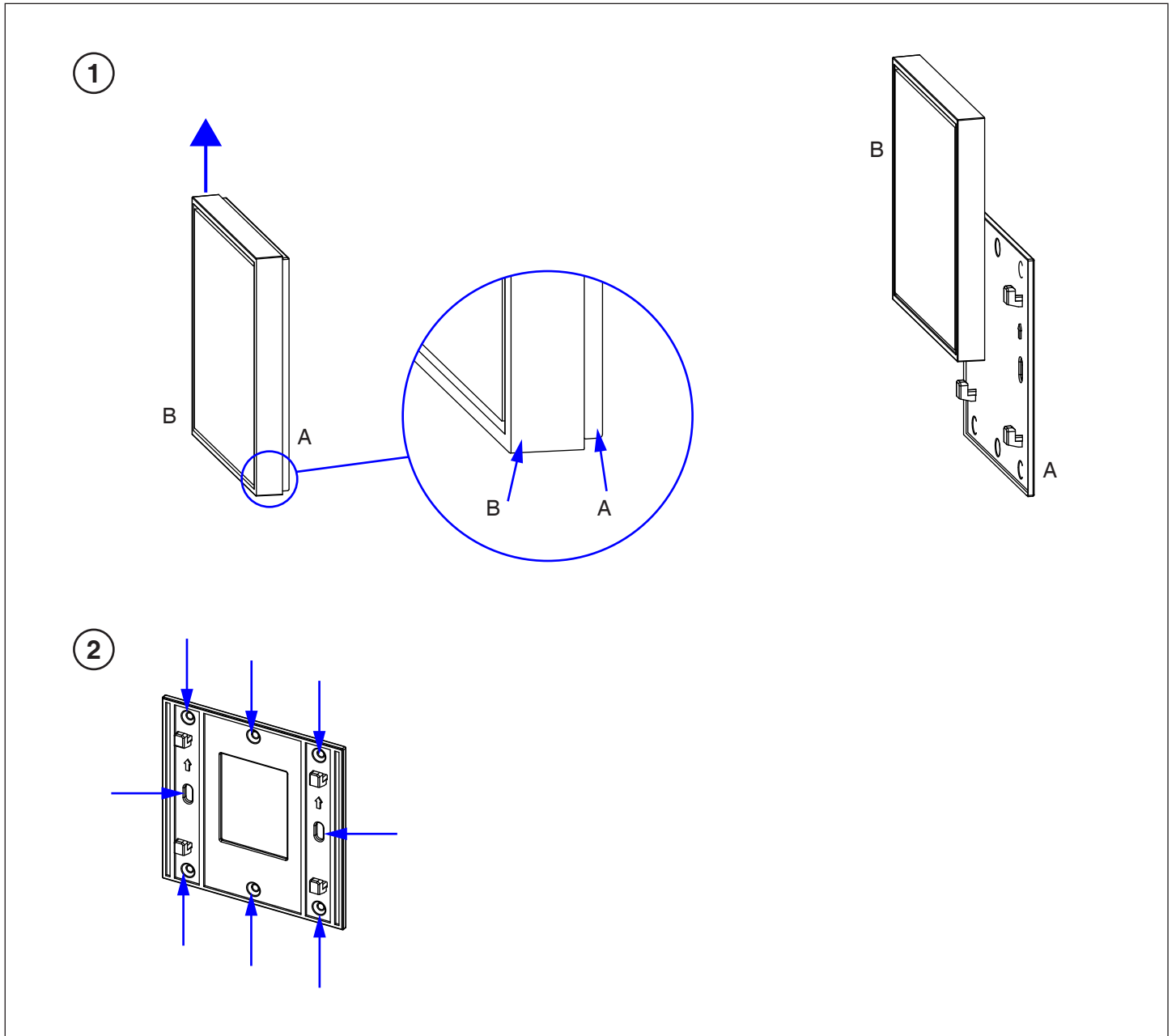


ICON	SHORT PRESS	LONG PRESS
	On	/
○	Off	/
☀	Step dimmer Down	Graduate dimmer Down
☀	Step dimmer Up	Graduate dimmer Up
☀	25%	/
☀	50%	/
☀	75%	/
☀	100%	/

3 - INSTALLATION

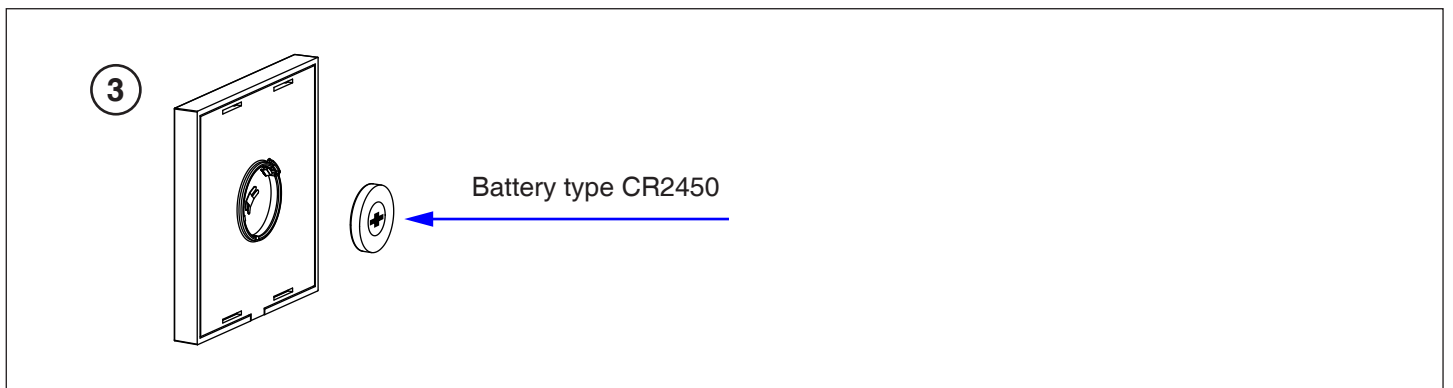
1 - Open the transmitter while holding the base 'A' and pushing the front 'B' upwards (Fig. 1)

2 - If necessary, fix the transmitter using the designated locations (Figure 2). Use the screws provided or watch for the cladding of the screw head.



BATTERY REPLACEMENT

The battery is of type CR2450. Respect the polarity by turning the battery with the "+" to the outside of the transmitter (fig.3)



4 - TRANSMITTER PROGRAMMING

To use the transmitter at least one button (or channel) must be programmed (paragraph 3.1).

4.1 TRANSMITTER PROGRAMMING

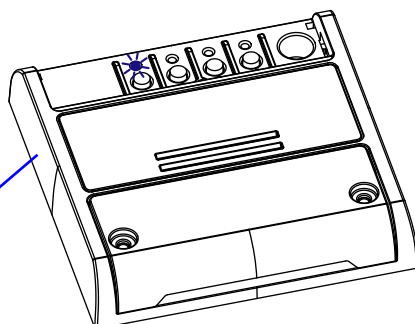
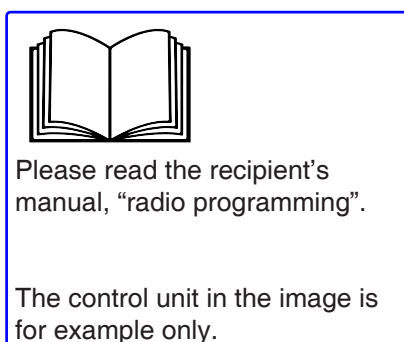
Default: no channel programmed.

This procedure is used to programme a channel in order to then associate it with a compatible receiver. Access to the receiver is required to carry out the following procedure.

PROCEDURE

1. Activate the receiver on which you want to use the transmitter in “radio programming of generic transmitters” mode and select the function that you want to associate with the key (see receiver manual).

2. Press the desired key on the transmitter, the receiver’s LED flashes three times to signal it has been received.



ACTION: Send a command from the transmitter
RECEIVER LED: Flashes 3 times

5 - DELETION OF A CHANNEL

This procedure is to delete one of the transmitter's channels from the memory of the receiver on which it was programmed.

PROCEDURE:

1- Access the receiver and carry out the "delete single transmitter" procedure (see receiver manual).



V1.0

LEF
Lighting

LEF LIGHTING S.R.L.

Via Rodolfo Morandi 9/11

50019 Sesto Fiorentino

Tel. 055.4217727

Firenze - ITALY

www.leflighting.it