

# USER GUIDE

## MINICUBO24P, MINICUBO48P

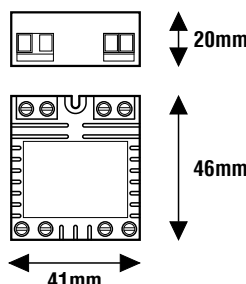
Dimming interface for voltage LED (CV)



www.lef Lighting.it

### General Characteristics

Plastic case  
 Device not for independent mounting  
 Electric class protection III  
 Case of reduced size  
 Protection degree IP20

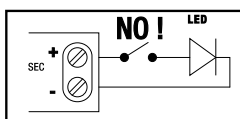


SYNCR by CABLE	DIM POT 47KΩ	DIM 0-10V	DIM PUSH NO VOLTAGE
----------------------	--------------------	--------------	---------------------------

CODICE CODE	Tensione di ingresso Input voltage (Vdc)	Tensione di uscita Output voltage (Vdc)	Corrente di uscita Output current (A)		Potenza di uscita Output power (W)		Comando Command	CC CV	Peso Weight (g)
			@24Vdc	@48Vdc	@24Vdc	@48Vdc			
MINICUBO24P	24	24	11	-	264	-	PUSH   0-10V   POT47kΩ	CV	35
MINICUBO48P	24-48	24-48	7	7	168	336			

### Reference Standards

EN 55015  
 EN 61000-3-2  
 EN 61347-1  
 EN 61347-2-13  
 EN 61547  
 EN 62384



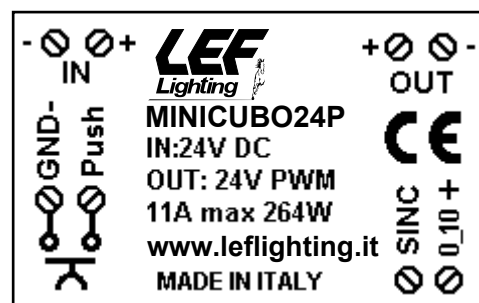
**N.B.**  
 Device not suitable for  
 no-load operation.

### ATTENTION:

The installation of the product must be followed by qualified personnel.  
 If the product is used for purposes other than the original ones or if it is connected incorrectly, LEF Lighting S.R.L. will not accept any responsibility for damages caused.

### Technical Features

Input voltage range 24-48Vdc  
 Output voltage range 24-48Vdc  
**Brightness regulator for LED modules 24Vdc or 48Vdc**  
**Brightness adjustment through:**  
 - push-button (PUSH no voltage)  
 - 0-10V signal  
 - 47Kohm potentiometer (Linear or Logarithmic)  
**Frequency of the output voltage PWM: 250Hz**  
 «LEVEL MEMORY» function  
 «STATUS MEMORY» function (at 100%, light ON after black-out)  
 Short circuit protection (SCP)  
 Operating ambient temperature  $T_a$   $-10^{\circ}\text{C} \div +40^{\circ}\text{C}$   
 Max case temperature on  $T_c$   $80^{\circ}\text{C}$



PRODUCT TO BE DISPOSED DIFFERENTLY  
 FROM URBAN WASTE  
 AEE identification nr.IT18040000010321

MADE IN ITALY



[AA] Rev. v1.10 19/07/2022

LEF LIGHTING S.R.L. | www.lef Lighting .it

Via Rodolfo Morandi, 9/11 - 50019 Sesto Fiorentino (FI) - ITALY | Tel +39 055 421 77 27 - Fax +39 055 425 44 92

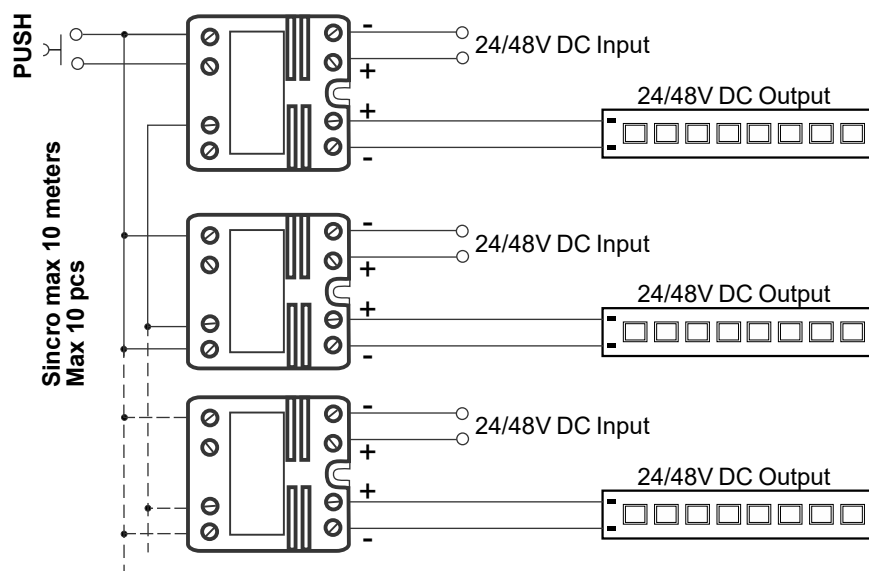
# USER GUIDE

## MINICUBO24P, MINICUBO48P



Wiring diagrams

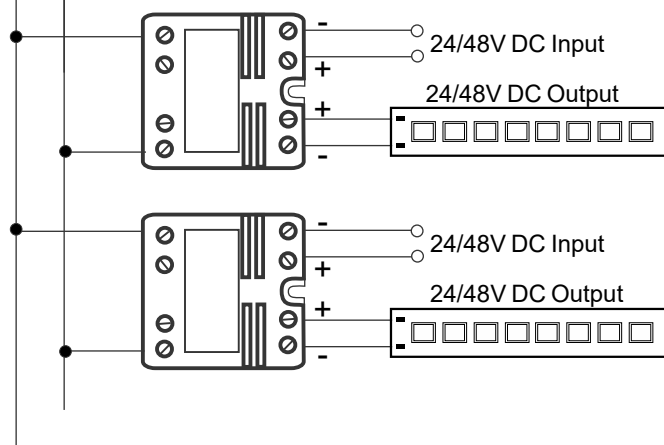
### PUSH MODE



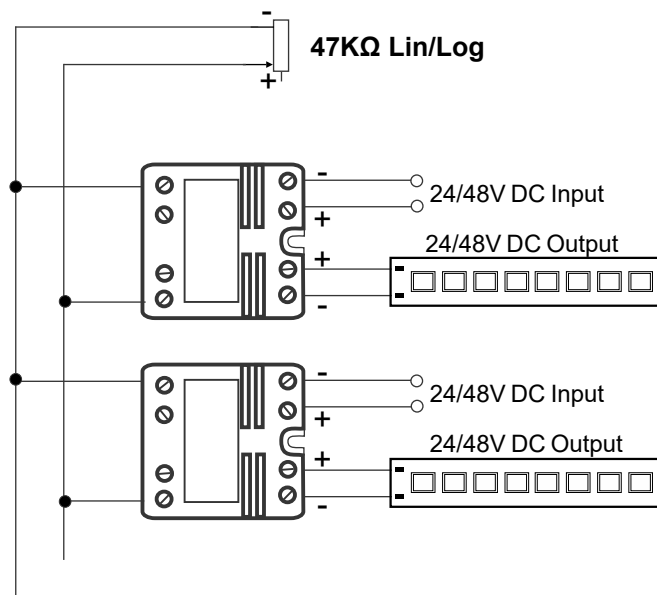
### 0-10V MODE

0..10V Input

- +



### POTENTIOMETER MODE



Install in a suitable place and, in the absence of voltage, respect the plate data.  
 Use only SELV power supplies, approved for electrical safety and performance, whose power is suitable for the load.  
 The connections are in low voltage, respect distances and insulation towards mains voltage lines.  
 Push button line: keep the connections isolated from the mains and limit their length.  
 The dimmer memory is kept with continuous power supply only.  
 Sincro line: keep the connections isolated from the mains and max 10 meters.

[AA] Rev. v1.10 19/07/2022