

USER GUIDE

MINICUBO24DP

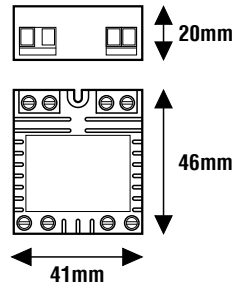
Dimming interface for voltage LED (CV)



www.leflighting.it

General Characteristics

- Plastic case
- Device not for independent mounting
- Electric class protection II
- Case of reduced size
- Protection degree IP20



ATTENTION:

The installation of the product must be followed by qualified personnel. If the product is used for purposes other than the original ones or if it is connected incorrectly, LEF Lighting S.R.L. will not accept any responsibility for damages caused.

Reference Standards

- EN 55015
- EN 61000-3-2
- EN 61347-1
- EN 61347-2-13
- EN 61547
- EN 62384

DIP SWITCH	SYNCR0 by CABLE	max 10 DRIVER	DIM POT 47KΩ	DIM 1-10V	DIM 0-10V	DALI DT6	DALI 2	DIM DALI	DIM PUSH 24Vdc	DIM PUSH 230Vac
------------	-----------------	---------------	--------------	-----------	-----------	----------	--------	----------	----------------	-----------------

CODICE CODE	Tensione di ingresso Input voltage (Vdc)	Tensione di uscita Output voltage (Vdc)	Corrente di uscita Output current (A)		Potenza di uscita Output power (W)		Comando Command	CC CV	Peso Weight (g)
			MIN	MAX	MIN	MAX			
MINICUBO24DP	24	24	0,417	11	10	264	PUSH DALI 0-10V 1-10V POT47kΩ	CV	35

Installation instructions

Always work in safe and voltage-free condition
Follow the rated values in label and right cable section according to the load connected.

Factory setting: DALI input active.

- Set the DIP-SWITCH configuration as in the wiring diagrams to set the operation mode
- Remove power to change DIP-SWITCH setting.
- All settings remain stored even when the device is Switched OFF.

OFF	OFF	DALI / Push AC
OFF	ON	Push DC
ON	OFF	0..10
ON	ON	1..10

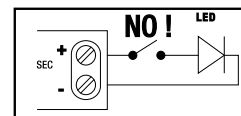
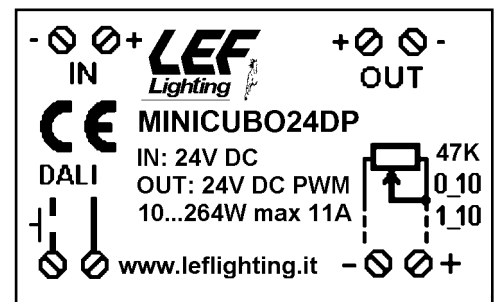


Alignment procedure

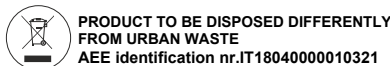
In case of non-alignment of some products in PUSH-BUTTON mode, remove the voltage network to all power supplies connected to the interfaces.
At the next feeding all the products will reach 100%.

Technical Features

- Input voltage range 24Vdc
- Output voltage range 24Vdc
- Brightness regulator for LED modules 24Vdc
- Brightness adjustment through:
 - push-button (PUSH 230Vac)
 - push-button (PUSH 24Vdc)
 - DALI signal
 - 0-10V signal
 - 1-10V signal
 - 47Kohm potentiometer (Linear or Logarithmic)
- Frequency of the output voltage PWM: 250Hz
- Synchronization of multiple interfaces via wiring (max10)
- «LEVEL MEMORY» function
- «STATUS MEMORY» function (last value before black-out)
- Short circuit protection (SCP)
- Operating ambient temperature Ta -10°C ÷ +40°C
- Max case temperature on Tc 80°C



N.B.
Device not suitable for
no-load operation.



MADE IN ITALY



[AA] Rev. v3.11 12/01/2023

LEF LIGHTING S.R.L. | www.leflighting.it

Viale L. Ariosto 478 - 50019 Sesto Fiorentino (FI) - ITALY | Tel +39 055 421 77 27 - Fax +39 055 425 44 92

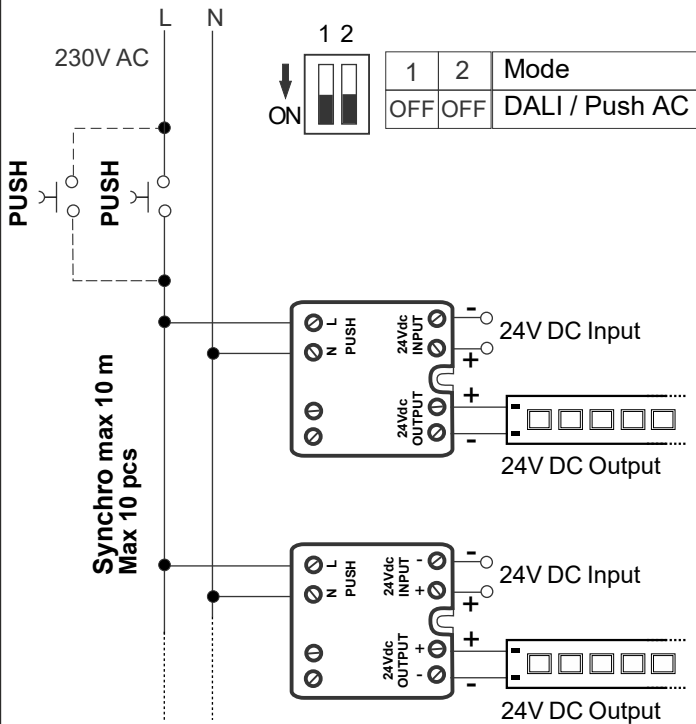
USER GUIDE

MINICUBO24DP

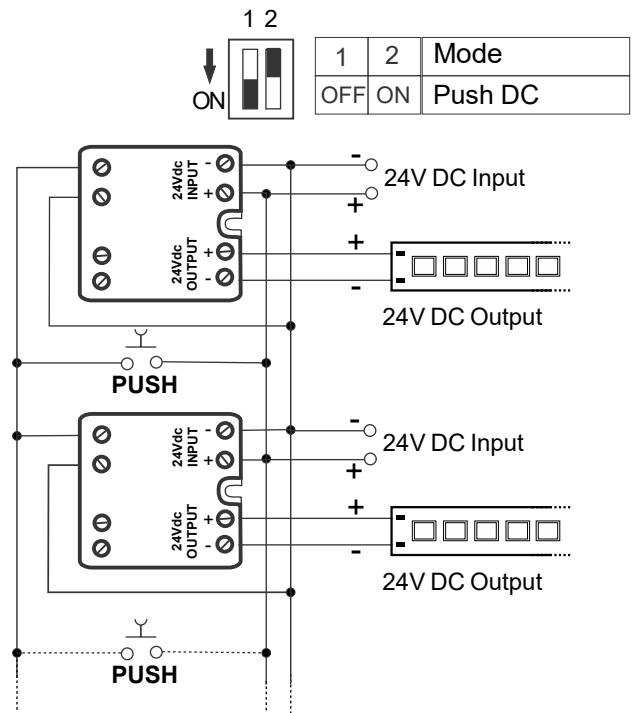
Wiring diagrams



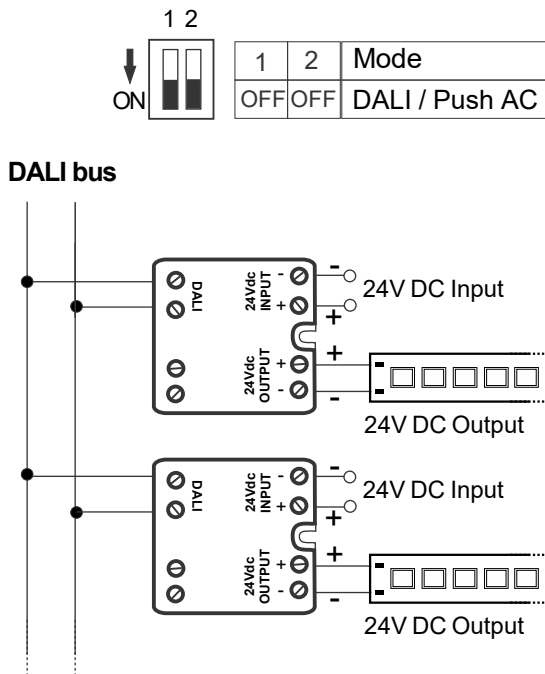
PUSH 230Vac MODE



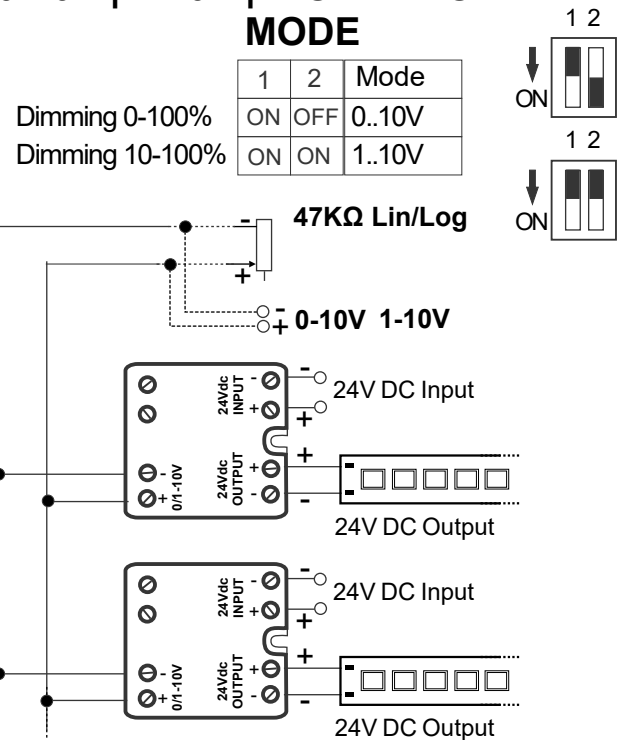
PUSH 24Vdc MODE



DALI MODE



0-10V | 1-10V | POTENTIOMETER MODE



Install in a suitable place and, in the absence of voltage, respect the plate data.
 Use only SELV power supplies, approved for electrical safety and performance, whose power is suitable for the load.
 The connections are in low voltage, respect distances and insulation towards mains voltage lines.
 Push button line: keep the connections isolated from the mains and limit their length.
 The dimmer memory is kept with continuous power supply only.
 Synchro line: keep the connections max 10 meters.

[AA] Rev. v3.11 12/01/2023