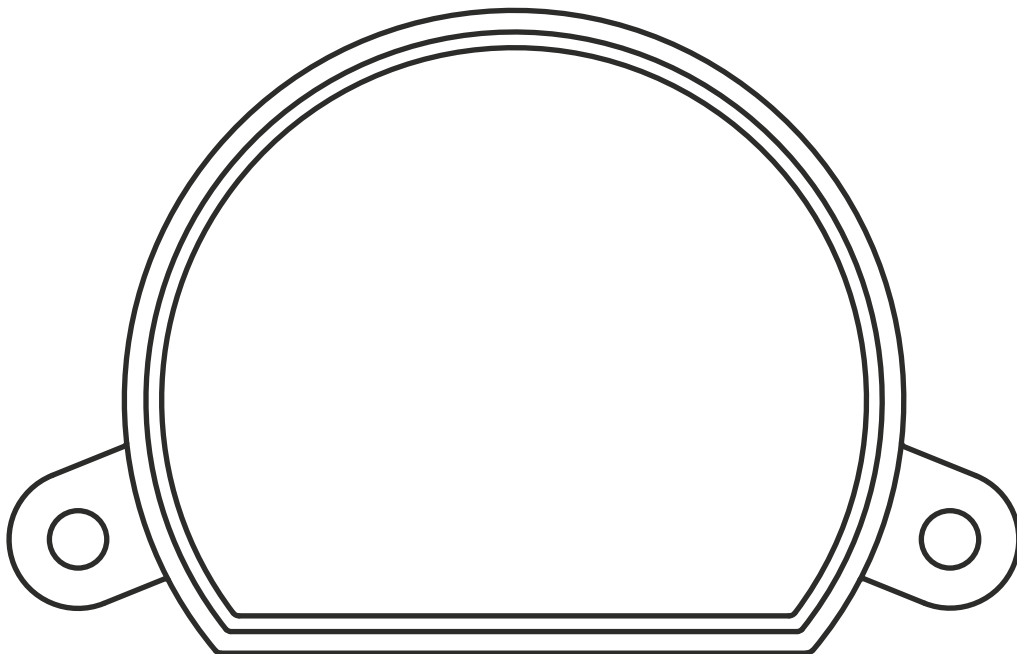


MCU-S2



**Control unit for managing with buttons of scenarios created on the OneSmart WiFi application.
Power supply 230Vac, 2 wired input.
Integrated 433.92 MHz radio receiver.
WiFi connection for OneSmart App.**

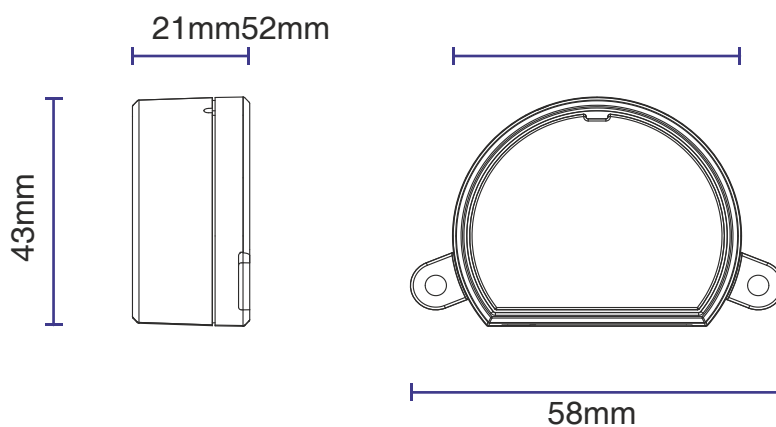
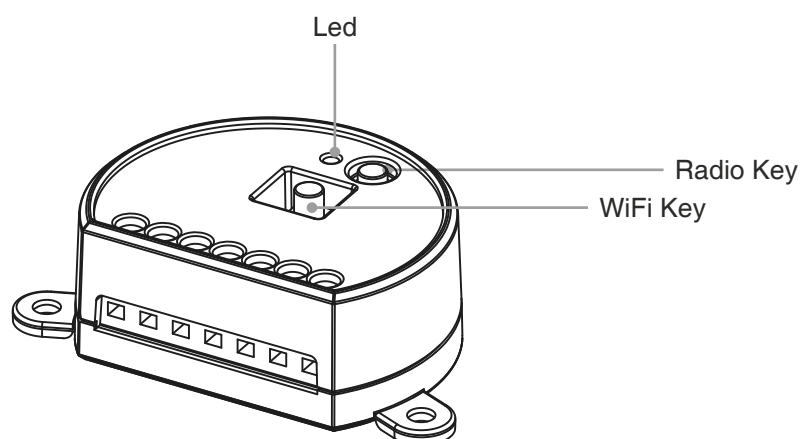
INDEX

1 - PRODUCT FEATURES	
1.1 - TECHNICAL DATA	Page 3
<hr/>	
2 - CONNECTION DIAGRAMS	
2.1 - CONNECTION DIAGRAM	page 4
<hr/>	
3 - USE OF THE CONTROL UNIT	
3.1 - TYPICAL INSTALLATION	Page 5
3.2 - USE	Page 5
<hr/>	
4 - CONTROL WITH APP ONE SMART	
5.1 - APP ONE SMART CONNECTION	Page 6
5.2 - USE OF "ONESMART" FOR THE CREATION OF AUTOMATIONS	Page 7
<hr/>	
5 - ADVANCED PROGRAMS	
5.1 - ADVANCED PROGRAM	Page 7
5.2 - RESET	Page 8
<hr/>	

1 - PRODUCT FEATURES

1.1 TECHNICAL DATA

Power supply (Input)	230Vac
Functionality	Button management of scenarios with WiFi app
WiFi frequency	2.4GHz
Protection rating	IP20
Working temperature	-20° +55°
Box dimensions	52x43x21 mm

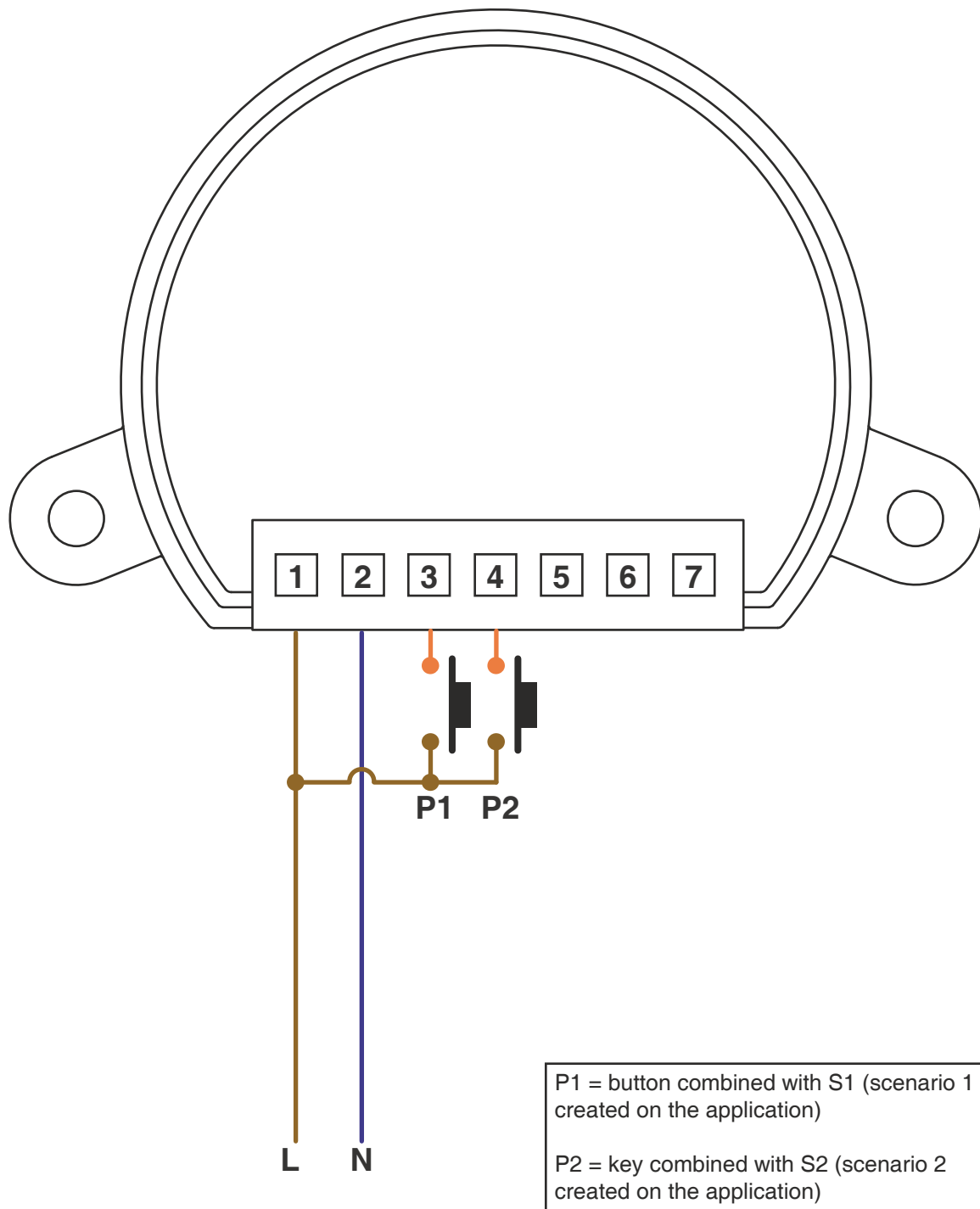


2 - CONNECTION DIAGRAMS

RECOMMENDATIONS

- Installation must be carried out only by professional technicians in accordance with the applicable electrical and safety regulations.
- All connections shall be operated without electrical voltage.
- Use proper cables.
- Don't cut the antenna
- Provide in the power line with an appropriate disconnection device
- Dispose of waste materials in full compliance with local law.
- Do not exceed the specified load limits and use correctly protected power supplies.

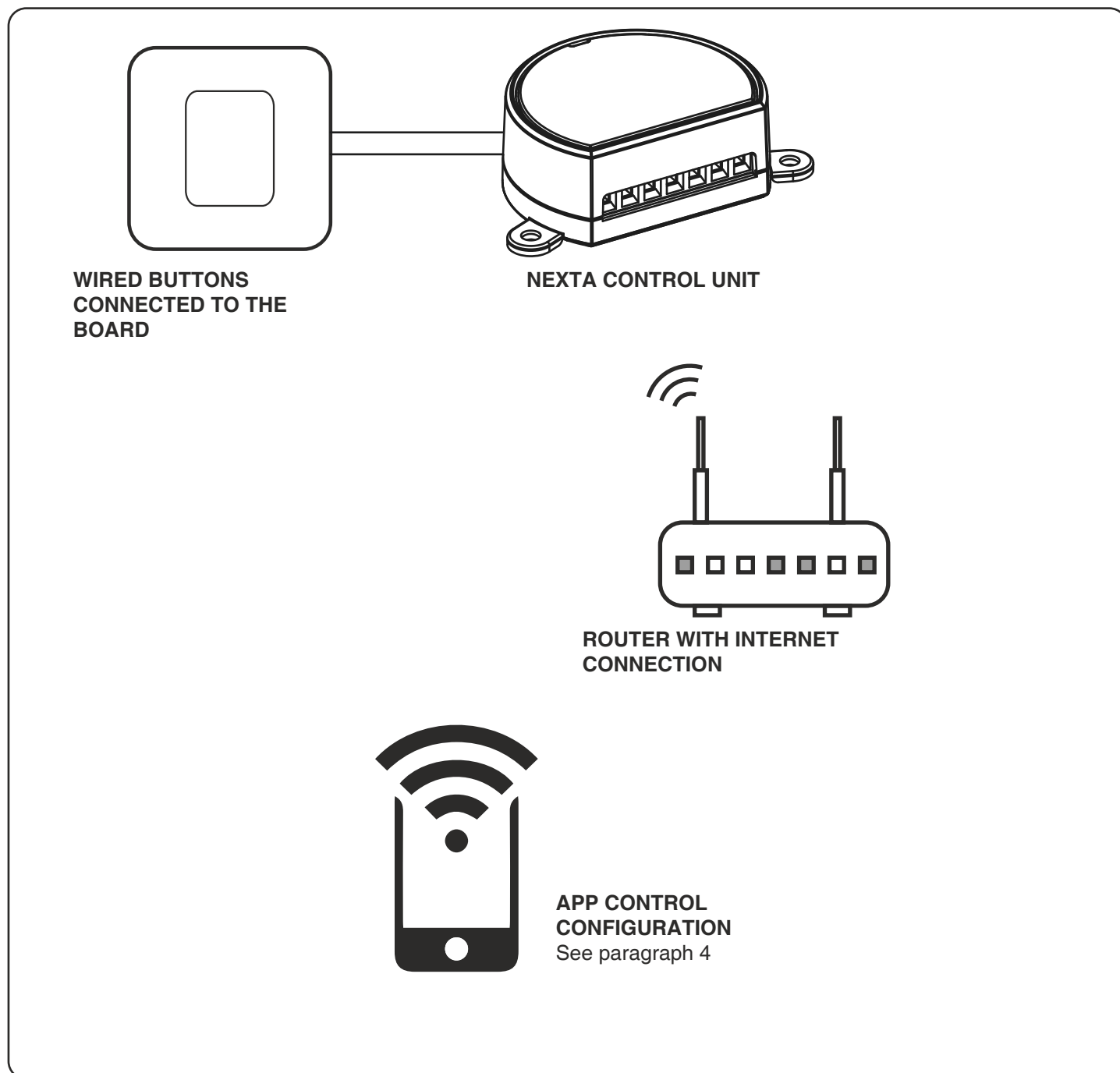
2.1 CONNECTION



The wired input can be set as a switch, see paragraph 5.1

3 - USE OF THE CONTROL UNIT

3.1 TYPICAL INSTALLATION



3.2 USE

To make the system work, you need to:

- Power up and connect at least one button to the control unit
- Configure application control
- Have other devices on the application to direct the commands to
- Create automation related to the device in the application

Later it will be possible to recall the automation created with the wired button

4 - CONTROL WITH APP ONE SMART

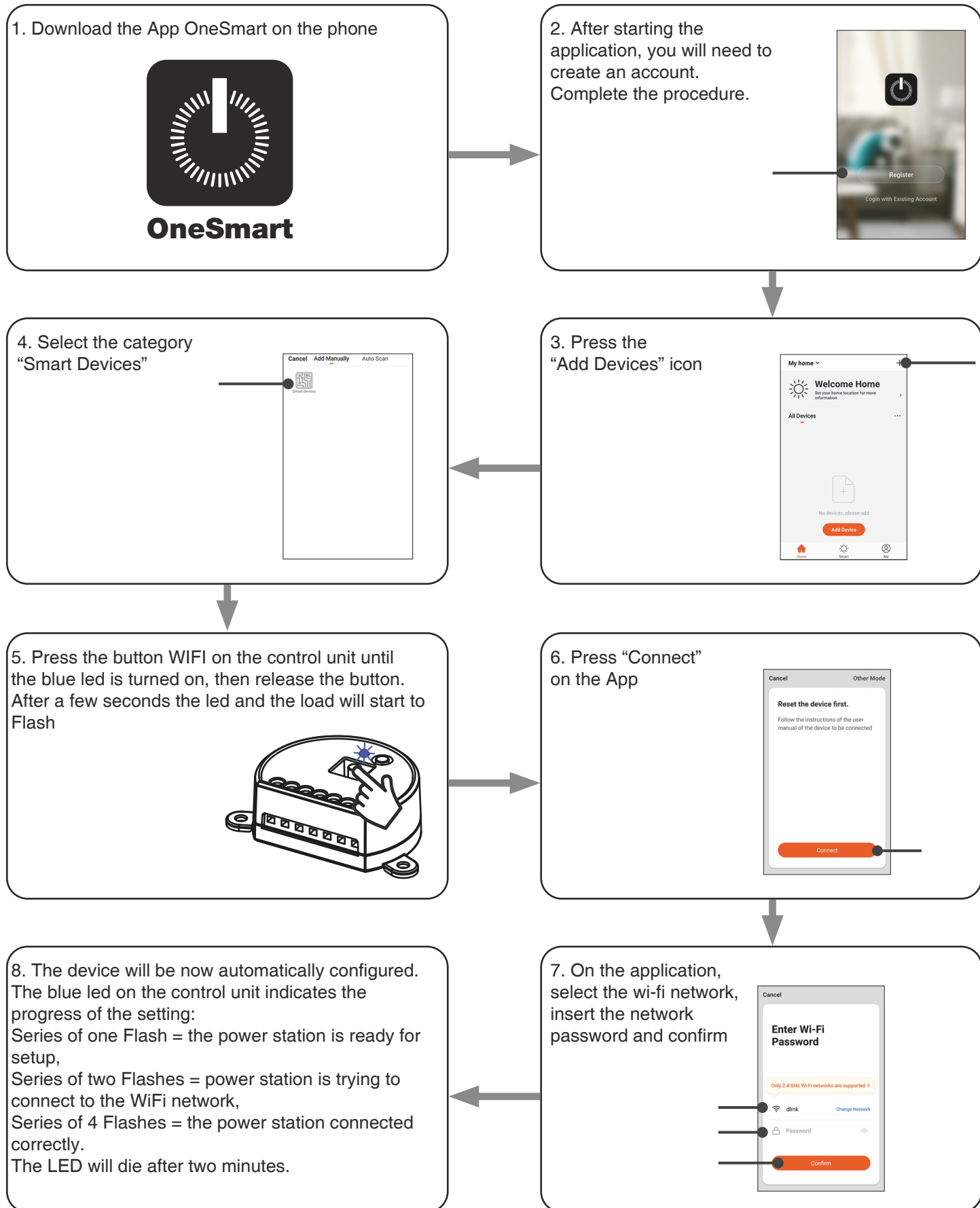
These procedures allow you to manage the system from your device (example: mobile phone) through the application and to control the system remotely.

4.1 - APP CONNECTION

This procedure connects the control unit Plano-One to the application. It shall be repeated for each control unit on the installation.

ATTENTION: an internet-based Wi-Fi network is required for the operation.

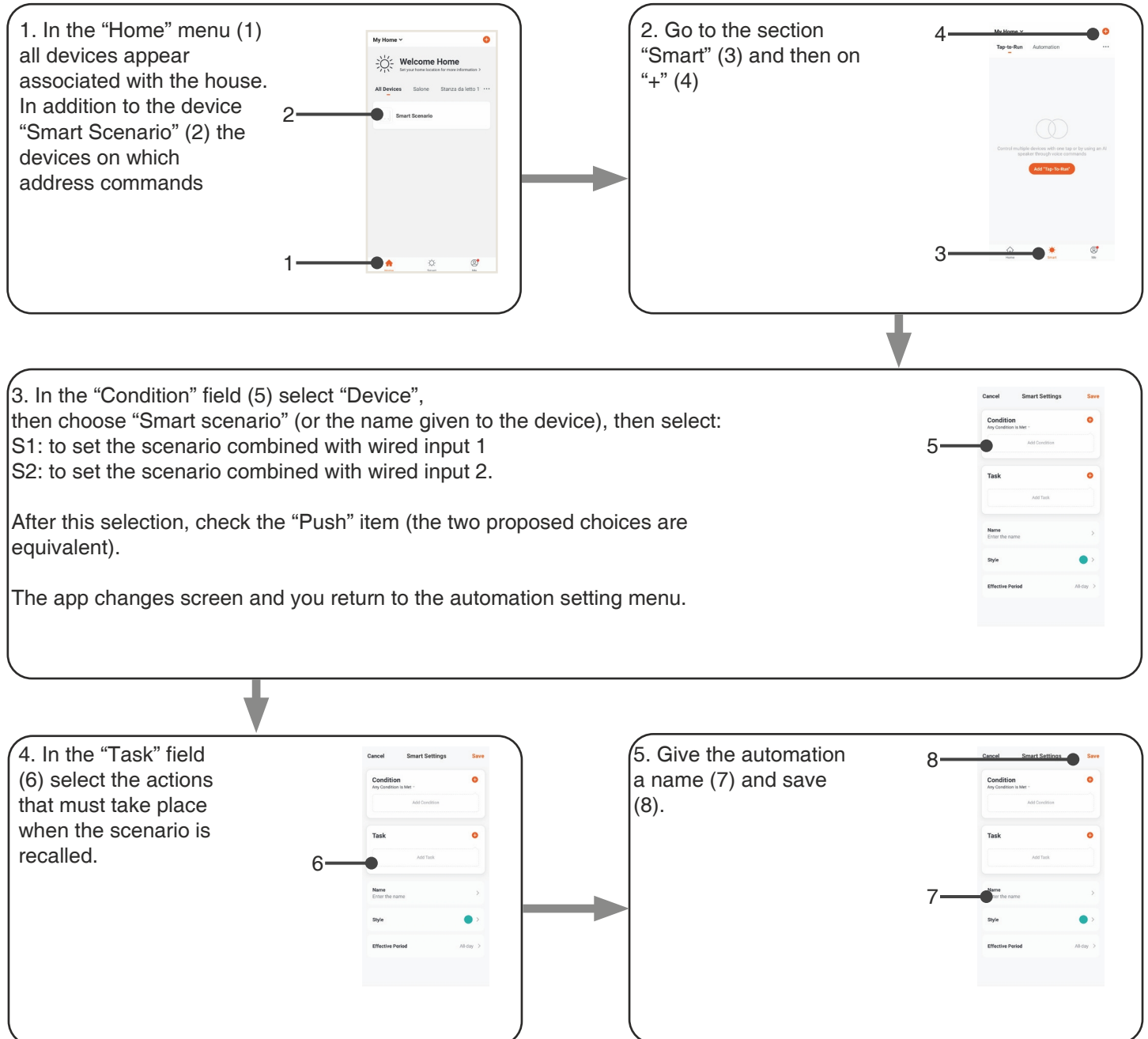
PROCEDURE



4.2 - USE OF “ONESMART” FOR THE CREATION OF AUTOMATIONS

After associating the control unit with OneSmart, it is possible to create the automations that will be combined with the wired inputs of the control unit.

PROCEDURE

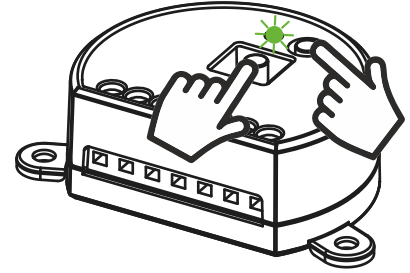


5 - ADVANCED PROGRAMS

5.1 - SETTING TYPE OF INPUTS VIA WIRE "P1"

STEP 1

Press and hold buttons RADIO and WIFI simultaneously (approximately 2 seconds):
LED turns on green.
Release the key.



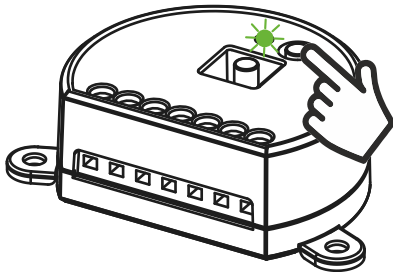
ACTION: Long press of buttons RADIO e Wi Fi **LED:** Turns on green

INPUT 1 SETTING

STEP 2a

Press the button RADIO on the receiver for a short time and count the number of Flashes emitted by the LED:

NUMBER OF FLASHES	FUNCTION
3	Button (default)
6	Switches



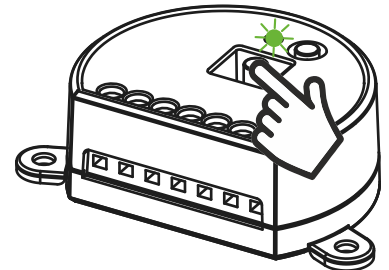
ACTION: Short pressure RADIO button
LED: Flash

INPUT 2 SETTING

STEP 2b

Press the button WiFi on the receiver for a short time and count the number of Flashes emitted by the LED:

NUMBER OF FLASHES	FUNCTION
3	Button (default)
6	Switches



ACTION: Short pressure WIFI button
LED: Flash

STEP 3

To change the setting, repeat the procedure from point 1; the control unit will alternate between 3 and 6 Flashes

5.2 - RESET OF THE CONTROL UNIT

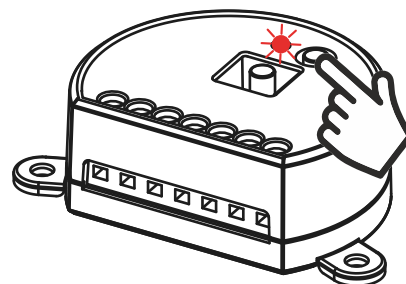
This procedure let you take the control unit back to factory settings.

ATTENTION: the only parameter that will not be removed will be the association with the ONESMART application.
To edit or delete also this parameter, reed the procedure.

PROCEDURE

STEP 1

Hold the receiver button RADIO down (about 4 seconds.)
until the LED begins to Flash.

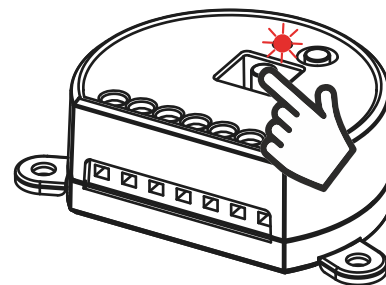


ACTION: Hold button RADIO down **LED:** Flashes red



STEP 2

Within 10 seconds, make a short press of Wi Fi button.
The LED 1 Flashes quickly and turns off.



ACTION: Short press of Wi Fi button **LED:** the led Flash quickly and turns off

CE



V1.10

LEF
Lighting



LEF LIGHTING S.R.L.

Viale L.Ariosto 478/480

50019 Sesto Fiorentino

Tel. 055.4217727

Firenze - ITALY

www.leflighting.it