

USER GUIDE

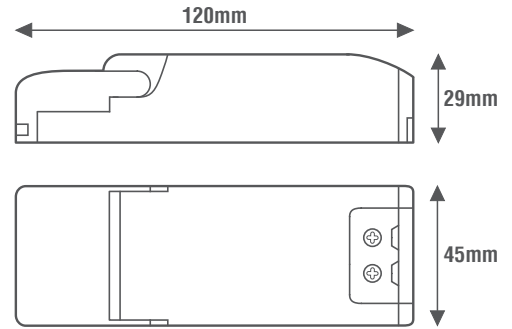
Code: MAXDLED70N, MAXDLED105N

DIMMABLE ELECTRONIC TRANSFORMERS FOR HALOGEN AND LED LAMPS 12Vac



General Characteristics

Plastic case
 Driver for independent mounting
 Electric class protection II
 Protection degree IP20

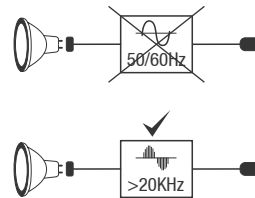
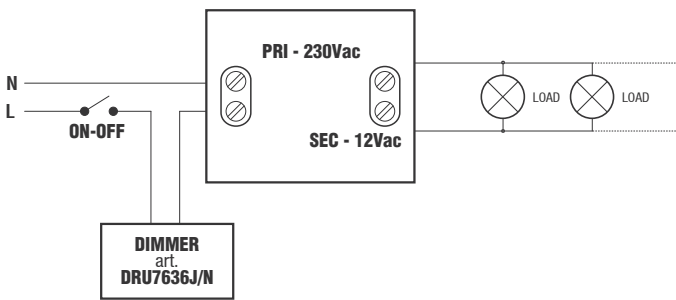


Dimmerazione a Taglio di Fase discendente (a fine fase) IGBT Trailing Edge
 Descending Phase Cutting dimming (at the end of the phase) IGBT Trailing Edge

Dimmerazione a Taglio di Fase ascendente (a inizio fase) TRIAC Leading Edge
 Ascending Phase Cutting dimming (at the beginning of the phase) TRIAC Leading Edge

CODICE CODE	Tensione di ingresso Input voltage (Vac)	Frequenza di rete Input frequency (Hz)	Potenza lampade LED Power LED lamps (W)	Potenza lampade alogene Power halogen lamps (W)	Tensione di uscita Output voltage (Vac)	Frequenza di uscita Output frequency (Khz)	PFC (λ)	Peso Weight (g)
MAXDLED70N	220-240	50÷60	1-50	1-70	12	26÷38	0,99	100
MAXDLED105N			1-60	1-105				

Wiring diagram



Connectable LED lamps must admit a 12Vac power supply in high frequency (HF) or one operating indication with electronic transformer

LEF Lighting
 www.lef-lighting.it
ELECTRONIC TRANSFORMER
MAXDLED70N
 ALOGENA 0-70W
 LED 0-50W
 PRI:220-240V~ 50/60Hz 0.29A
 SEC: 11.5V~eff 6A 0-70W
 $\lambda=0.99$ $t_a=50^{\circ}\text{C}$ $t_c=80^{\circ}\text{C}$

MADE IN P.R.C.

N.B. Maximum number of 12Vac LED lamps connectable: 5 pcs

N.B. Secondary power supply cables must not exceed 30cm in length

Technical Features

Input voltage range 220-240Vac
 Input frequency 50÷60Hz
 Voltage output 12Vac
 Output frequency 26÷38KHz
 Phase-cut dimmable:
 - TRIAC Leading-Edge
 - IGBT Trailing-Edge
 Protection against overtemperature (OTP)
 Overload protection (OLP)
 Short circuit protection (SCP)
 Power factor correction (PFC) $\lambda \geq 0,99$
 Operating ambient temperature $T_a -10^{\circ}\text{C} \div +50^{\circ}\text{C}$
 Max case temperature on $T_c 80^{\circ}\text{C}$

Attention:

The installation of the product must be followed by qualified personnel.

If the product is used for purposes other than the original ones or if it is connected incorrectly, LEF Lighting S.R.L. will not accept any responsibility for damages caused.

LEF Lighting
 www.lef-lighting.it
ELECTRONIC TRANSFORMER
MAXDLED105N
 ALOGENA 0-105W
 LED 0-60W
 PRI:220-240V~ 50/60Hz 0.48A
 SEC: 11.5V~eff 9.8A 0-105W
 $\lambda=0.99$ $t_a=40^{\circ}\text{C}$ $t_c=80^{\circ}\text{C}$

MADE IN P.R.C.

Reference standards

- EN 55015
- EN 61000-3-2
- EN 61000-3-3
- EN 61347-1
- EN 61347-2-2
- EN 61547
- EN 62493



LEF LIGHTING S.R.L. | www.lef-lighting.it

Via Rodolfo Morandi, 9/11 - 50019 Sesto Fiorentino (FI) - ITALY | Tel +39 055 421 77 27 - Fax +39 055 425 44 92