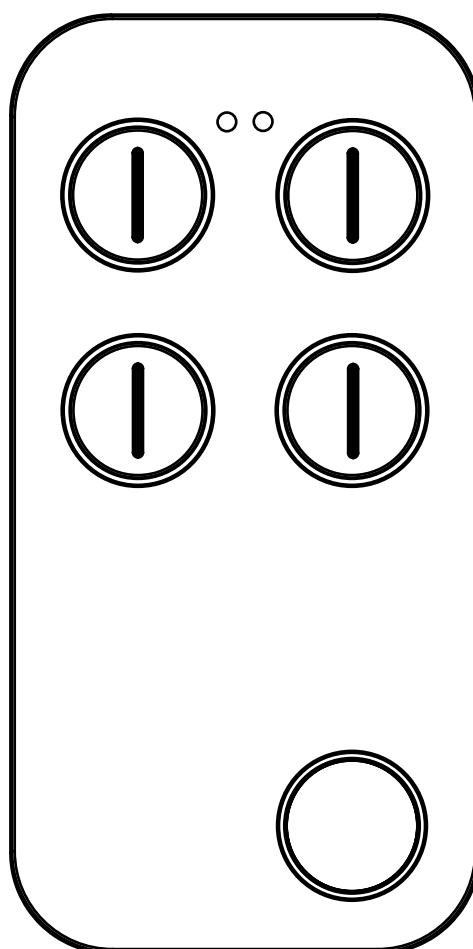


# LINEA-4R

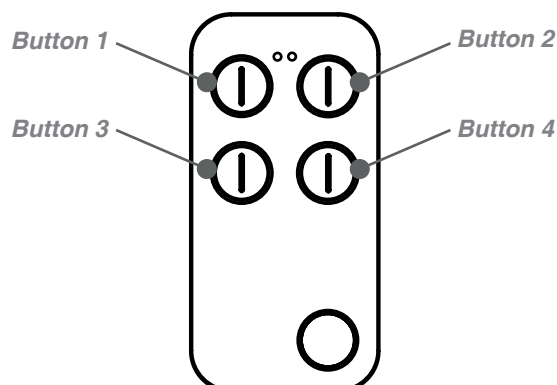
# LINEA-4R/W



## TECHNICAL DATA

Power supply	CR2032 battery
Encoding	Rolling code
Radio frequency	433.92MHz
Range	100m nominal

## BUTTONS



## TRANSMITTER PROGRAMMING WITH ACCESS TO RECEIVER

Requirements: have access to the recipient's programming keys

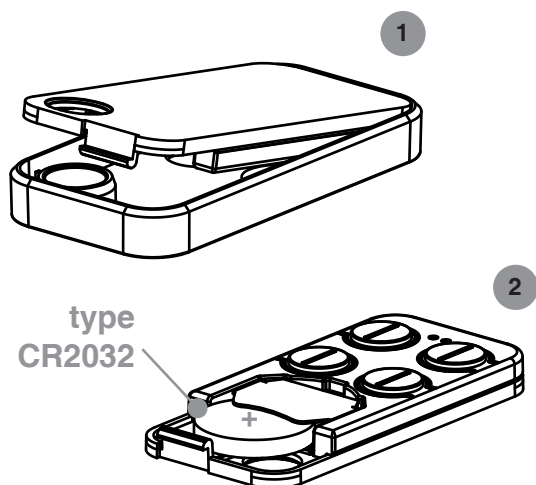
- 1- Activate the receiver on which you want to use the transmitter in "radio programming of generic transmitters" mode and select the function that you want to associate with the key (see receiver manual).
- 2- Press the desired key; the receiver's LED flashes three times to signal it has been received.

## TRANSMITTER PROGRAMMING NEAR THE RECEIVER

Requirements: a transmitter already programmed / be near the receiver

- 1- With the programmed transmitter, press simultaneously buttons 1 and 2 of the transmitter until the led Flashes (about 3 sec.).
- 2- With the programmed transmitter, press the button associated with the control unit which you want to turn on the leaning
- 3- With the "new" transmitter, press the button you want to program

## BATTERY REPLACEMENT



**LEF**  
*Lighting*

**LEF LIGHTING S.R.L.**

Via Rodolfo Morandi 9/11  
50019 Sesto Fiorentino  
Tel. 055.4217727  
Firenze - ITALY  
[www.leflighting.it](http://www.leflighting.it)