

USER GUIDE

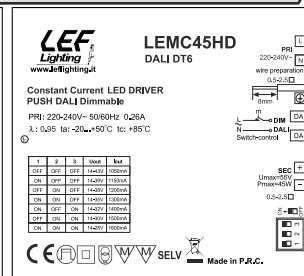
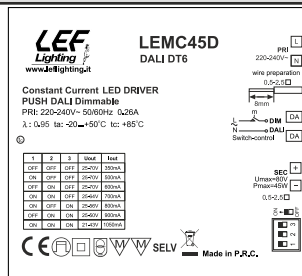
LEMC45D, LEMC45HD

Dimmable constant multicurrent LED drivers (CC) with push-button (PUSH) and DALI signal control IP20

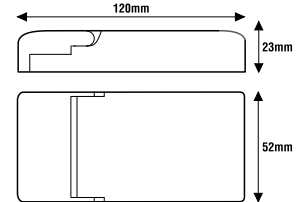


General Characteristics

Plastic case
Driver for independent mounting
Electric class protection II
Protection degree IP20

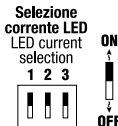


www.lef-lighting.it



Reference Standards

EN 55015
EN 61000-3-2
EN 61000-3-3
EN 61347-1
EN 61347-2-13
EN 61547
EN 62386-207
EN 62493



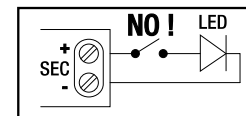
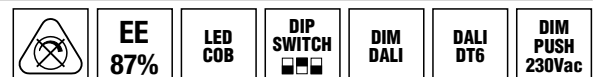
LEMC45D	OUTPUT DIP-SWITCH		
	Corrente MAX (mA)	1	2
350	-	-	-
500	ON	-	-
600	-	ON	-
700	ON	ON	-
800	ON	-	ON
900	-	ON	ON
1050	ON	ON	ON

LEMC45HD	OUTPUT DIP-SWITCH		
	Corrente MAX (mA)	1	2
1050	-	-	-
1150	ON	-	-
1200	-	ON	-
1300	ON	ON	-
1400	ON	-	ON
1500	-	ON	ON
1600	ON	ON	ON

	Tensione di ingresso Input voltage	Frequenza di rete Input frequency	Potenza di uscita Output power (W)	Comando Command	Tensione di uscita Output voltage (Vdc)	Corrente di uscita Output current (mA)	PFC (λ)	CC CV	Peso Weight (g)
LEMC45D	220-240	50÷60	24 35 42 45	PUSH DALI	25-70	350	0,90	CC	170
						500			
						600			
					25-64 25-56 25-50 21-43	700	0,95		
						800			
						900			
LEMC45HD	220-240	50÷60	45	PUSH DALI	14-43 14-39 14-38 14-35 14-32 14-30 14-28	1050	0,95	CC	170
						1150			
						1200			
						1300			
						1400			
						1500			
						1600			

Technical Features

Input voltage range 220-240Vac
Input frequency 50÷60Hz
Constant current output 350÷1050mA (LEMC45D)
Constant current output 1050÷1600mA (LEMC45HD)
(settings by dip-switch)
Factory setting: 350mA (LEMC45D)
Factory setting: 1050mA (LEMC45HD)
Brightness adjustment through:
- push-button (PUSH 230Vac)
- DALI signal
«LEVEL MEMORY» and «STATUS MEMORY» function
Energy Efficiency (EE) 87%
Open circuit Protection (OCP)
Overload protection (OLP)
Short circuit protection (SCP)
Power factor correction (PFC) λ ≥ 0,95
Operating ambient temperature Ta -20°C ÷ +50°C
Max case temperature on Tc 85°C



N.B.

Power supply not suitable for no-load operation.

ATTENTION:

The installation of the product must be followed by qualified personnel.
If the product is used for purposes other than the original ones or if it is connected incorrectly, LEF Lighting S.R.L. will not accept any responsibility for damages caused.



PRODUCT TO BE DISPOSED DIFFERENTLY FROM URBAN WASTE
AEE Identification nr.IT18040000010321

MADE IN P.R.C.



LEF LIGHTING S.R.L. | www.lef-lighting.it

Via Rodolfo Morandi, 9/11 - 50019 Sesto Fiorentino (FI) - ITALY | Tel +39 055 421 77 27 - Fax +39 055 425 44 92

USER GUIDE LEMC45D, LEMC45HD

Wiring diagrams

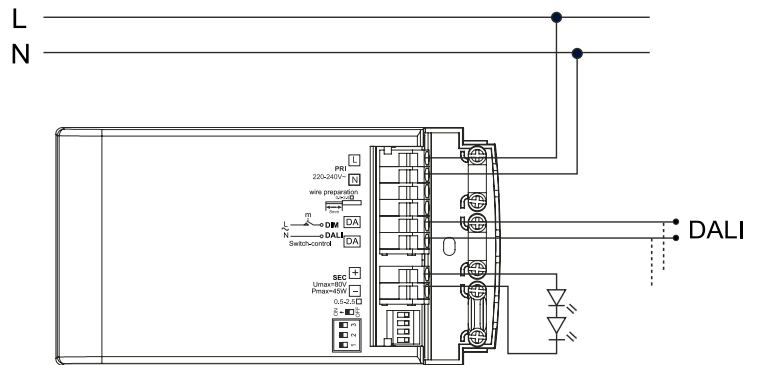
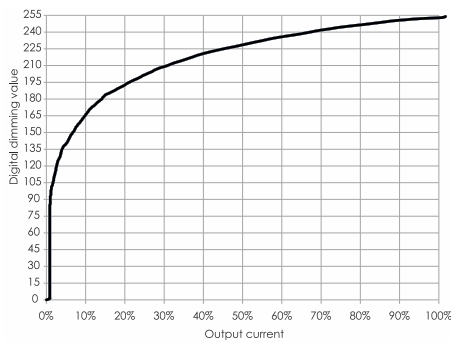


OPERATING MODES

There are 2 distinct modes of operation : **DALI** and **PUSH-BUTTON (PUSH 230Vac)**

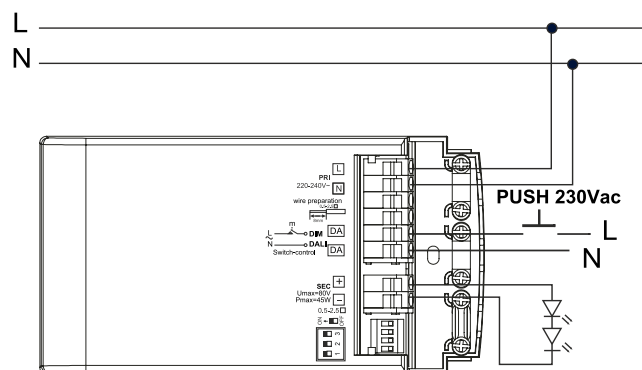
DALI MODE

The dimming level is set by the value of the DALI signal sent by the DALI control unit.



PUSH 230Vac MODE

- Briefly press the button to switch on (ON) and switch off (OFF).
- Long press of the button for dimming. With a new long press of the button, the dimming restarts in the opposite direction.



PUSH 230Vac MODE - Synchronization by cable

- Briefly press the button to switch on (ON) and switch off (OFF).
- Long press of the button for dimming. With a new long press of the button, the dimming restarts in the opposite direction.

If the power supplies lose synchronization, they can be resynchronized again by pressing the BUTTON for 15 seconds with the light off.

Maximum number of synchronizable power supplies: 5

Cable length of the BUTTON: 15 m

