

USER GUIDE

Code: LEMC8TF, LEMC15TF, LEMC25TF

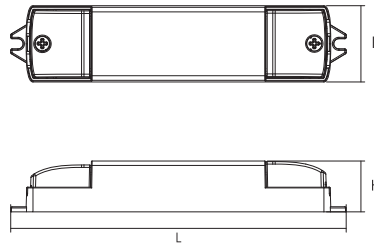


General Characteristics

Plastic case
Driver for independent mounting
Electric class protection II
Protection degree IP20

Reference standards

EN 55015
EN 61000-3-2
EN 61000-3-3
EN 61347-1
EN 61347-2-13
EN 61547
EN 62493



Dimensioni Dimensions (mm)			
Codice Code	L	P	H
LEMC8TF	132	30	20
LEMC15TF	156	44	26
LEMC25TF			

Dimmerazione a Taglio di Fase discendente (a fine fase) IGBT Trailing Edge
Descending Phase Cutting dimming (at the end of the phase) IGBT Trailing Edge

Dimmerazione a Taglio di Fase ascendente (a inizio fase) TRIAC Leading Edge
Ascending Phase Cutting dimming (at the beginning of the phase) TRIAC Leading Edge



CODICE CODE	Tensione di ingresso Input voltage (Vac)	Frequenza di rete Input frequency (Hz)	Potenza di uscita Output power (W)	Comando Command	Tensione di uscita Output voltage (Vdc)	Corrente di uscita Output current (mA)	PFC (λ)	CC CV	Peso Weight (g)
LEMC8TF	220-240	50÷60	5	TRIAC IGBT	21-42	120	0,80	CC	80
			6,3			150			
			7,5			180			
			8			200			
LEMC15TF	220-240	50÷60	8,4	TRIAC IGBT	21-42	200	0,80	CC	100
			11			260			
			12,6			300			
			15			350			
LEMC25TF	220-240	50÷60	15	TRIAC IGBT	21-42	350	0,90	CC	110
			19			450			
			21			500			
			25			600			

Technical Features

Input voltage range 220-240Vac

Input frequency 50-60Hz

Constant current output 120÷200mA (LEMC8TF)

Constant current output 200÷350mA (LEMC15TF)

Constant current output 350÷600mA (LEMC25TF)

(settings by dip-switch)

Factory setting: 120mA (LEMC8TF)

Factory setting: 200mA (LEMC15TF)

Factory setting: 350mA (LEMC25TF)

Phase-cut dimmable with mode:

- TRIAC Leading-Edge

- IGBT Trailing-Edge

Open circuit Protection (OCP)

Overload protection (OLP)

Protection against overtemperature (OTP)

Short circuit protection (SCP)

Power factor correction (PFC) $\lambda \geq 0,95$

Operating ambient temperature $T_a -20^\circ\text{C} \div +50^\circ\text{C}$

Operating ambient temperature $T_a -20^\circ\text{C} \div +45^\circ\text{C}$ (LEMC25TF)

Max case temperature on $T_c 80^\circ\text{C}$

Max case temperature on $T_c 85^\circ\text{C}$ (LEMC25TF)

ATTENTION:

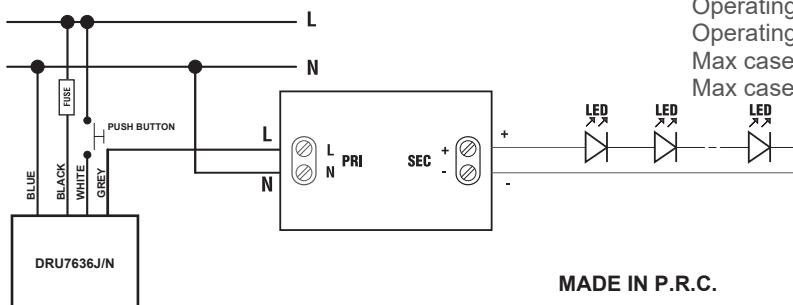
The installation of the product must be followed by qualified personnel.

If the product is used for purposes other than the original ones or if it is connected incorrectly, LEF Lighting S.R.L. will not accept any responsibility for damages caused.

PRODUCT TO BE DISPOSED DIFFERENTLY FROM URBAN WASTE
AEE identification nr.IT18040000010321

Codice Code	OUTPUT DIP-SWITCH		
	Potenza Power (W)	Corrente MAX MAX Current (mA)	1 2 3
LEMC8TF	5	120	- - -
	6,3	150	ON - -
	7,5	180	ON ON -
	8	200	ON ON ON
LEMC15TF	8,4	200	- - -
	11	260	ON - -
	12,6	300	ON ON -
	15	350	ON ON ON
LEMC25TF	15	350	- - -
	19	450	ON - -
	21	500	ON ON -
	25	600	ON ON ON

WIRING DIAGRAM



MADE IN P.R.C.



PRODUCT TO BE DISPOSED DIFFERENTLY FROM URBAN WASTE
AEE identification nr.IT18040000010321



LEF LIGHTING S.R.L. | www.lef-lighting.it

Via Rodolfo Morandi, 9/11 - 50019 Sesto Fiorentino (FI) - ITALY | Tel +39 055 421 77 27 - Fax +39 055 425 44 92