

USER GUIDE

LEMC25D

Dimmable constant multicurrent LED driver (CC)
with push-button (PUSH) and DALI signal control IP20

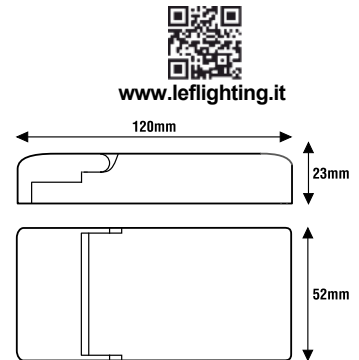
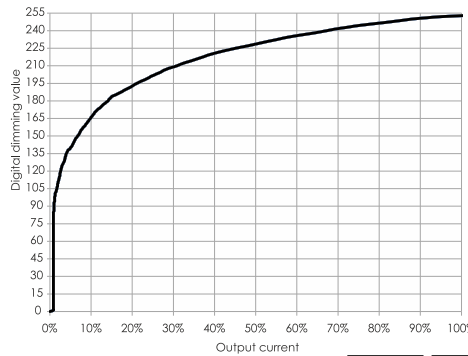


General Characteristics

Plastic case
Driver for independent mounting
Electric class protection II
Protection degree IP20

Reference Standards

- EN 55015
- EN 61000-3-2
- EN 61000-3-3
- EN 61347-1
- EN 61347-2-13
- EN 61547
- EN 62386-207
- EN 62493



	EE 85%	LED COB	DIP SWITCH 	DIM DALI	DALI DT6	DIM PUSH 230Vac
--	------------------	----------------	-----------------------	-----------------	-----------------	------------------------

CODICE CODE	Tensione di ingresso Input voltage (Vac)	Frequenza di rete Input frequency (Hz)	Potenza di uscita Output power (W)	Comando Command	Tensione di uscita Output voltage (Vdc)	Corrente di uscita Output current (mA)	PFC (λ)	CC CV	Peso Weight (g)
LEMC25D	220-240	50÷60	16	PUSH DALI	20-60	260	0,90	CC	120
			21		20-60	350			
			24		20-60	400			
			25		20-55	450			
					20-50	500			
					20-45	550			
					20-42	600			
			20-36	700	0,95				

Technical Features

Input voltage range 220-240Vac
Input frequency 50÷60Hz
Constant current output 260÷700mA
(settings by dip-switch)
Factory setting: 260mA

Brightness adjustment through:

- push-button (PUSH 230Vac)
- DALI signal
- «LEVEL MEMORY» and «STATUS MEMORY» function
- Energy Efficiency (EE) 85%
- Open circuit Protection (OCP)
- Overload protection (OLP)
- Protection against overtemperature (OTP)
- Short circuit protection (SCP)
- Power factor correction (PFC) $\lambda \geq 0,95$
- Operating ambient temperature $T_a -20^{\circ}\text{C} \div +50^{\circ}\text{C}$
- Max case temperature on $T_c 85^{\circ}\text{C}$

Constant Current LED DRIVER PUSH DALI Dimmable

LEMC25D DALI DT6
PRI: 220-240V~50/60Hz 0,16A
 $\lambda: 0,95$ Is: -20...+50°C Isc: +85°C

1	2	3	Uout	Iout
OFF	OFF	OFF	20-60V	260mA
ON	OFF	OFF	20-60V	350mA
OFF	ON	OFF	20-60V	400mA
OFF	OFF	ON	20-55V	450mA
ON	ON	OFF	20-50V	500mA
ON	OFF	ON	20-45V	550mA
OFF	ON	ON	20-42V	600mA
ON	ON	ON	20-36V	700mA

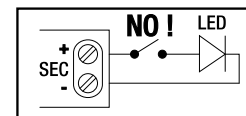
SEC 0,5-1,5Ω
U_{max}=75V
P_{max}=25W

DIM DALI switch control

wire preparation 0,5-2,5Ω

8mm Made in P.R.C.

CE, SELV



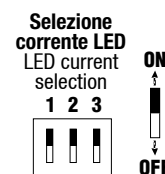
N.B.

Power supply not suitable for no-load operation.

ATTENTION:

The installation of the product must be followed by qualified personnel. If the product is used for purposes other than the original ones or if it is connected incorrectly, LEF Lighting S.R.L. will not accept any responsibility for damages caused.

OUTPUT DIP-SWITCH			
Corrente MAX MAX Current (mA)	1	2	3
260	-	-	-
350	ON	-	-
400	-	ON	-
450	-	-	ON
500	ON	ON	-
550	ON	-	ON
600	-	ON	ON
700	ON	ON	ON



PRODUCT TO BE DISPOSED DIFFERENTLY FROM URBAN WASTE
AEE Identification nr.IT18040000010321

--	--	--	--	--	--	--	--	--	--	--	--

MADE IN P.R.C.

LEF LIGHTING S.R.L. | www.lef Lighting.it

Via Rodolfo Morandi, 9/11 - 50019 Sesto Fiorentino (FI) - ITALY | Tel +39 055 421 77 27 - Fax +39 055 425 44 92

USER GUIDE LEMC25D

Wiring diagrams

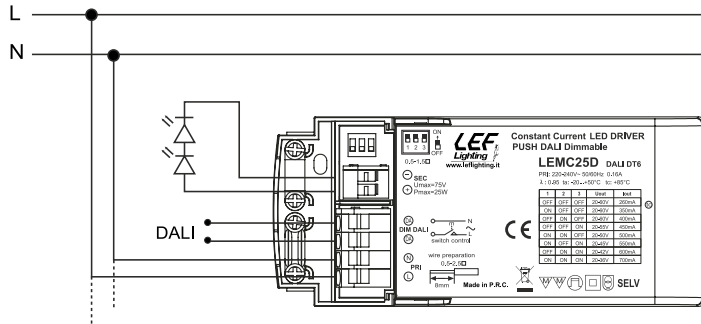


OPERATING MODES

There are 2 distinct modes of operation : **DALI** and **PUSH-BUTTON (PUSH 230Vac)**

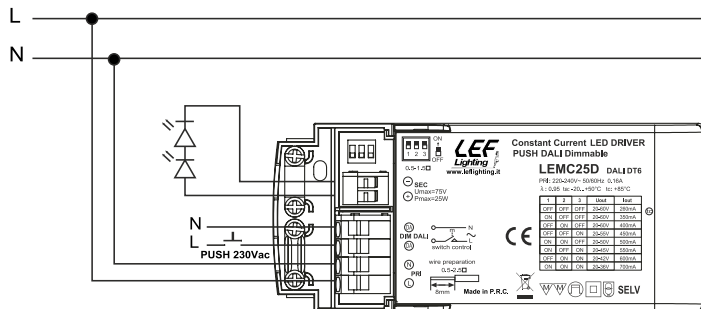
DALI MODE

The dimming level is set by the value of the DALI signal sent by the DALI control unit.



PUSH 230Vac MODE

- Briefly press the button to switch on (ON) and switch off (OFF).
 - Long press of the button for dimming.
- With a new long press of the button, the dimming restarts in the opposite direction.



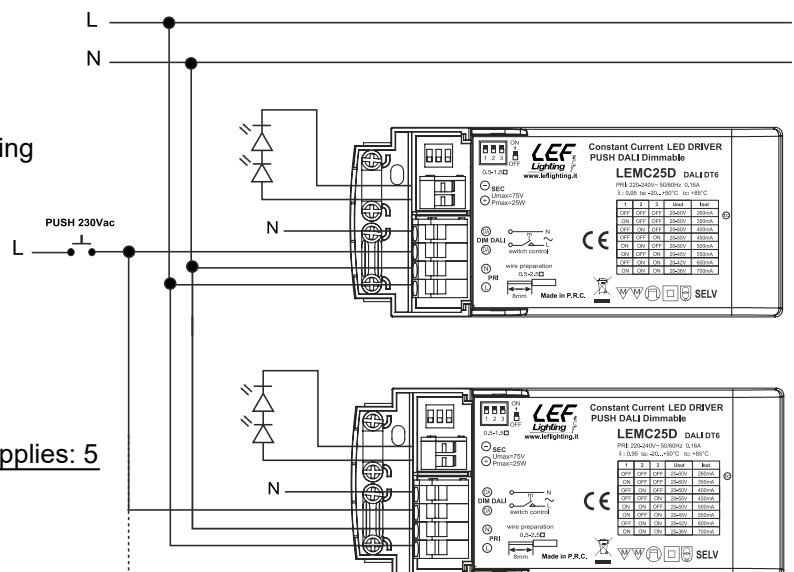
PUSH 230Vac MODE - Synchronization by cable

- Briefly press the button to switch on (ON) and switch off (OFF).
 - Long press of the button for dimming.
- With a new long press of the button, the dimming restarts in the opposite direction.

If the power supplies lose synchronization, they can be resynchronized again by pressing the BUTTON for 15 seconds with the light off.

Maximum number of synchronizable power supplies: 5

Cable length of the BUTTON: 15 m



[AA] Rev. v1.10 01/04/2022