

USER GUIDE

LEDALITF

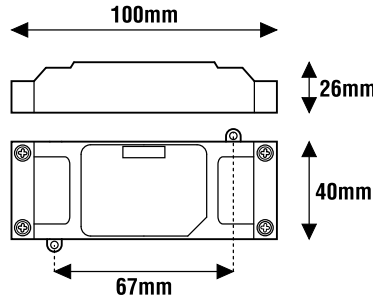
Universal dimmer controlled by push-button or DALI signal



www.leflighting.it

General Characteristics

Plastic case
Device for independent mounting
Protection degree IP20



Descending Phase Cutting dimming (at the end of the phase) IGBT Trailing-Edge

DALI DT4	DIM DALI	DIM PUSH 230Vac	MOSFET
----------	----------	-----------------	--------

CODICE CODE	Comando Command	RESISTIVO RESISTIVE Lampade ad incandescenza o alogene Incandescent or halogen lamps 230Vac	INDUTTIVO INDUCTIVE Trasformatore lamellare e toroidale Laminated and toroidal transformer 230/12Vac	Alimentatore elettronico con lampade ad incandescenza o alogene Electronic driver with incandescent or halogen lamps 230/12Vac	Alimentatore elettronico con lampade LED dimmerabili Electronic driver with dimmable LED lamps 230/12Vac	Alimentatore elettronico dimmerabile con uscita in CC/CV per LED Dimmable electronic driver with CC/CV output for LED 230/12Vac	Lampade fluorescenti compatte dimmerabili CFL Dimmable compact fluorescent lamps CFL 230Vac	Lampade LED dimmerabili Dimmable LED lamps 230Vac	Moduli LED dimmerabili Dimmable LED modules Seoul ACRICH 230Vac	Strip LED dimmerabili Dimmable Strip LED 230Vac	Peso Weight (g) 50
LEDALITF	DALI	230W	-	115W	115W	115W	115W	115W	230W	230W	50

ATTENTION:

The installation of the product must be followed by qualified personnel.

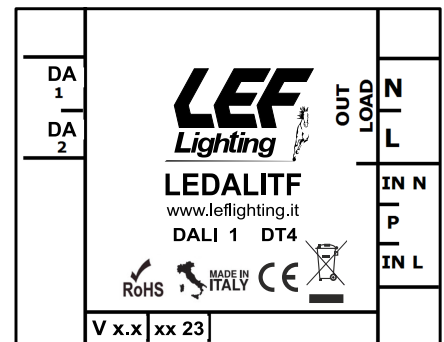
If the product is used for purposes other than the original ones or if it is connected incorrectly, LEF Lighting S.R.L. will not accept any responsibility for damages caused.

Reference standards

- EN 55015
- EN 61000-3-2
- EN 61000-3-3
- EN 61347-1
- EN 61347-2-13
- EN 61547
- EN 62384
- EN 62386-205

Technical Features

- Input voltage range 220-240Vac
- Input frequency 50Hz
- Single channel dimmer with Phase-Cut output (IGBT)
- Dimming control through:
 - push-button (PUSH 230Vac)
 - DALI signal
- Manageable power (see table)
- Open circuit Protection (OCP)
- Overload protection (OLP)
- Protection against overtemperature (OTP)
- Short circuit protection (SCP)
- Operating ambient temperature Ta -20°C ÷ +50°C



PRODUCT TO BE DISPOSED DIFFERENTLY FROM URBAN WASTE
AEE identification nr.IT18040000010321



MADE IN ITALY

USER GUIDE

LEDALITF

Wiring diagrams



PUSH MODE

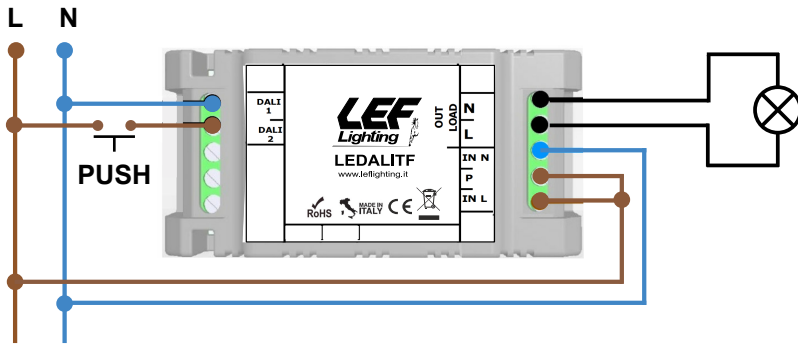
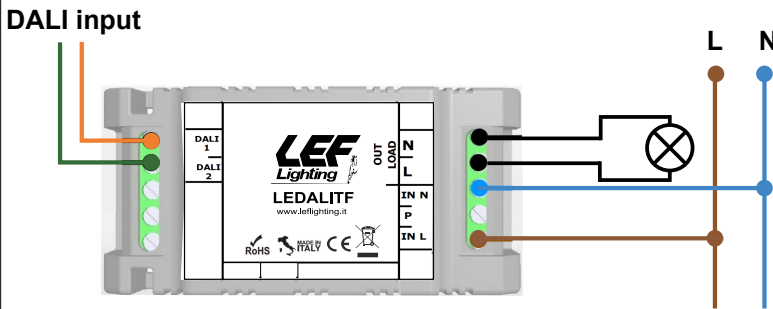


Fig.1

The dimmer must be connected according to the diagram shown in Fig.1. In particular:

- connect the power supply to the IN L and IN N terminals.
- connect the load between the OUT LOAD L and OUT LOAD N.
- connect the line L to terminal P (this activates the push-button mode).
- connect the neutral N to the DALI terminal 1.
- connect a normally open button (N.O.) between the line L and the DALI terminal 2.

DALI MODE



The dimmer must be connected according to the diagram shown in Fig. 2. In particular:

- connect the power supply to the IN L and IN N terminals,
- connect the load between the terminals OUT LOAD L and OUT LOAD N,
- connect the DALI BUS to the DALI 1 and DALI 2 inputs.

DALI MODE

Synchronization by DALI signal generators

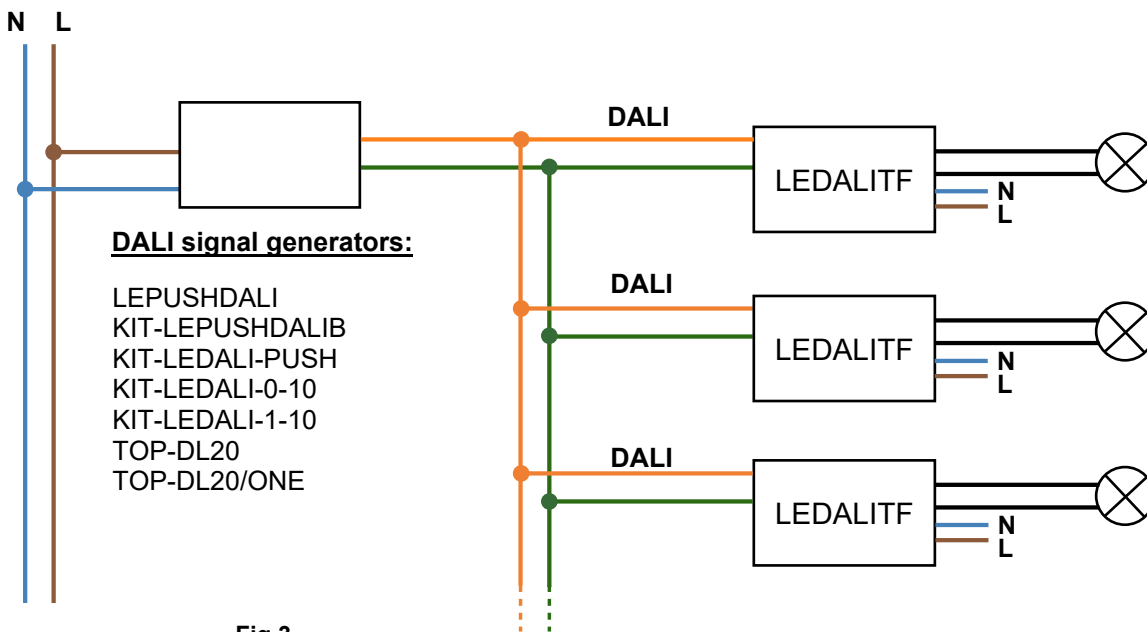


Fig.3

ATTENTION: Distance of the LEDALITF from the lamp max 10 meters.

For longer distances or other types of alternative connections, contact LEF LIGHTING Technical Office.
 In DALI mode, if the dimmer is disconnected from the bus it switches to the POWER ON LEVEL state set via the DALI bus.
 The max current absorbed by the DALI bus is approximately 2mA.

[AA] Rev. v5.10 - 26/04/2023