

# USER GUIDE

## LECV1248TF

Dimming interface for voltage LED 12-24-48Vdc (CV)  
with Phase-cut (TF) control IP20



www.leflighting.it

### General Characteristics

Plastic case  
Device for independent mounting  
Electric class protection II  
Protection degree IP20

### Reference Standards

EN 55015  
EN 61347-1  
EN 61347-2-13  
EN 61547

CODICE CODE	Tensione di ingresso Input voltage (Vdc)	Tensione di uscita Output voltage (Vdc)	Corrente di uscita Output current (A)			Potenza di uscita Output power (W)			Comando Command	CC CV	Peso Weight (g)
			@12Vdc	@24Vdc	@48Vdc	@12Vdc	@24Vdc	@48Vdc			
<b>LECV1248TF</b>	12-24-48	12-24-48	10	10	10	<b>120</b>	<b>240</b>	<b>480</b>	<b>TRIAC-IGBT</b>	CV	70

DIMMING JUMPER 1		
Comando Command	SW1	
2000 Hz		<b>ON</b>
244 Hz		<b>OFF</b>

#### JUMPER 1 (SW1)

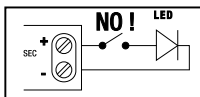
**ON** Dimming output frequency 2 KHz  
**OFF** Dimming output frequency 244 Hz  
(factory setting)

DIMMING JUMPER 2		
Comando Command	SW2	
Calibrazione		<b>ON</b>
Dimmerazione		<b>OFF</b>

#### JUMPER 2 (SW2)

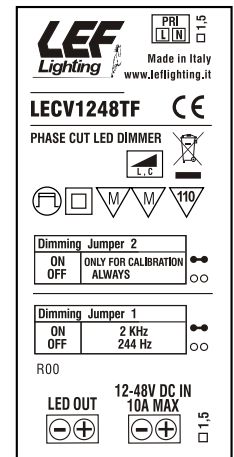
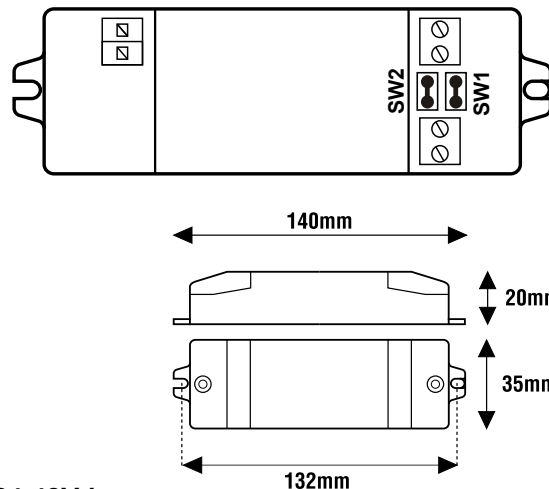
**ON** Only for calibration mode  
**OFF** For normal function  
(factory setting)

Factory settings: SW1 OFF; SW2 OFF



**N.B.**  
Power supply not suitable for  
no-load operation.

**ATTENTION:**  
The installation of the product must be  
followed by qualified personnel.  
If the product is used for purposes other  
than the original ones or if it is connected  
incorrectly, LEF Lighting S.R.L. will not  
accept any responsibility for damages caused.



### Technical Features

Input voltage range 12-24-48Vdc  
Output voltage range 12-24-48Vdc  
**Brightness regulator for LED modules 12-24-48Vdc**  
**Brightness adjustment to Phase-cut with mode:**

- TRIAC Leading-Edge
- IGBT Trailing-Edge

**Frequency of the output voltage PWM (settable by jumper (SW1)):**

- 244Hz (factory setting)
- 2000Hz (2KHz)

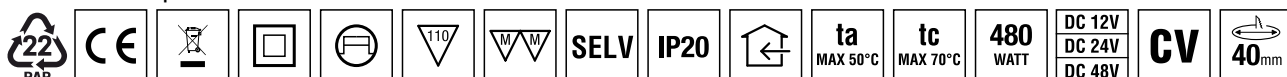
Possibility to adapt the dimming range to the DIMMER used (settable by jumper)  
(See calibration procedure)

Manageable power (see table)  
Open circuit protection (OCP)  
Protection against overtemperature (OTP)  
Short circuit protection (SCP)  
Operating ambient temperature Ta -25°C ÷ +50°C  
Max case temperature on Tc 70°C

MADE IN ITALY



PRODUCT TO BE DISPOSED  
DIFFERENTLY FROM URBAN WASTE  
AEE Identification nr.IT1804000010321



LEF LIGHTING S.R.L. | www.leflighting.it

Viale L.Ariosto 478/480 - 50019 Sesto Fiorentino (FI) - ITALY | Tel +39 055 421 77 27 - Fax +39 055 425 44 92

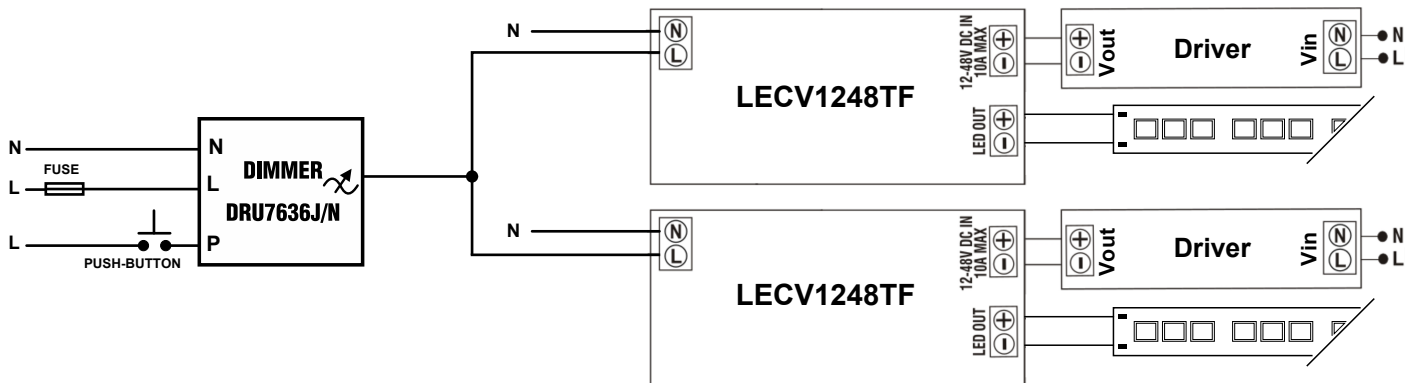
# USER GUIDE

## LECV1248TF

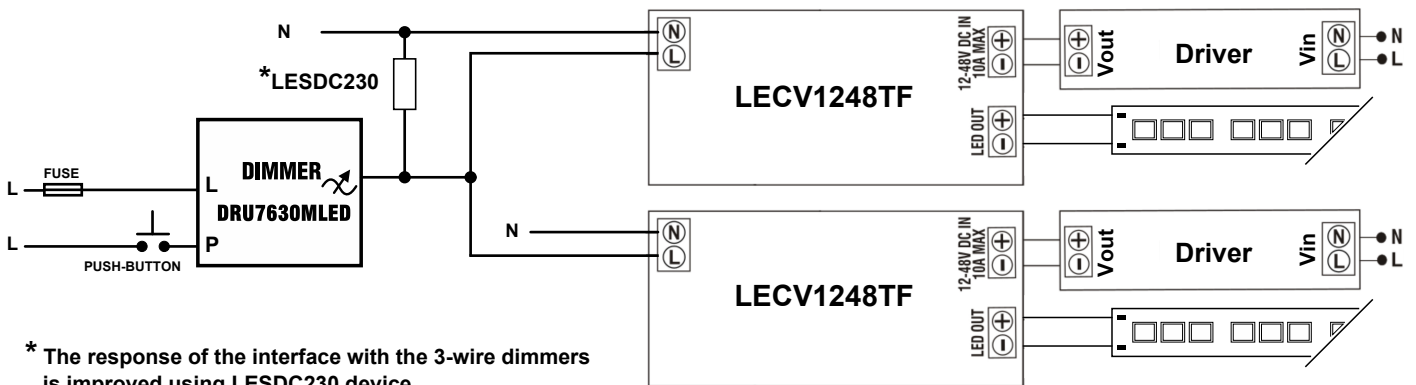
Wiring diagram



### Connection with 4 wires DIMMER cod. DRU7636J/N



### Connection with 3 wires DIMMER cod. DRU7630MLED



\* The response of the interface with the 3-wire dimmers is improved using LESDC230 device.

**NOTE:**  
Check the minimum power value of the 3-wire dimmers.

This procedure is used to adapt the dimming range of the dimmer with the dimming range of the interface, so that they are as equal as possible.

#### Calibration procedure

- Connect supply voltage (12-48Vdc).
- Connect the dimmer to the dimming port.
- Switch on the light at any brightness level.
- Switch on the SW2 jumper.
- After 10 seconds the LED load makes two flashes.
- Bring the brightness to the maximum value with the dimmer (using the appropriate button command or other signal) (the duration of the signal must be at least 10 sec.).
- Bring the brightness to the minimum value with the dimmer (using the appropriate button command or other signal) (the duration of the signal must be at least 10 sec.).
- Remove the SW2 jumper
- The LED load makes two more flashes after a few seconds.
- The calibration procedure is finished.

#### Resetting to factory conditions

- Connect supply voltage (12-48Vdc).
- Do not connect anything to the dimming port.
- Insert SW2 jumper.
- After about 10 seconds the LED load makes two flashes.
- At this point remove the SW2 jumper;
- The led load makes two more flashes after a few seconds.
- The resetting procedure is finished.

DIMMING JUMPER 2	
Comando Command	SW2
Calibration	ON
Dimming	OFF

#### JUMPER 2 (SW2)

- ON** Only for calibration mode
- OFF** For normal function (factory setting)