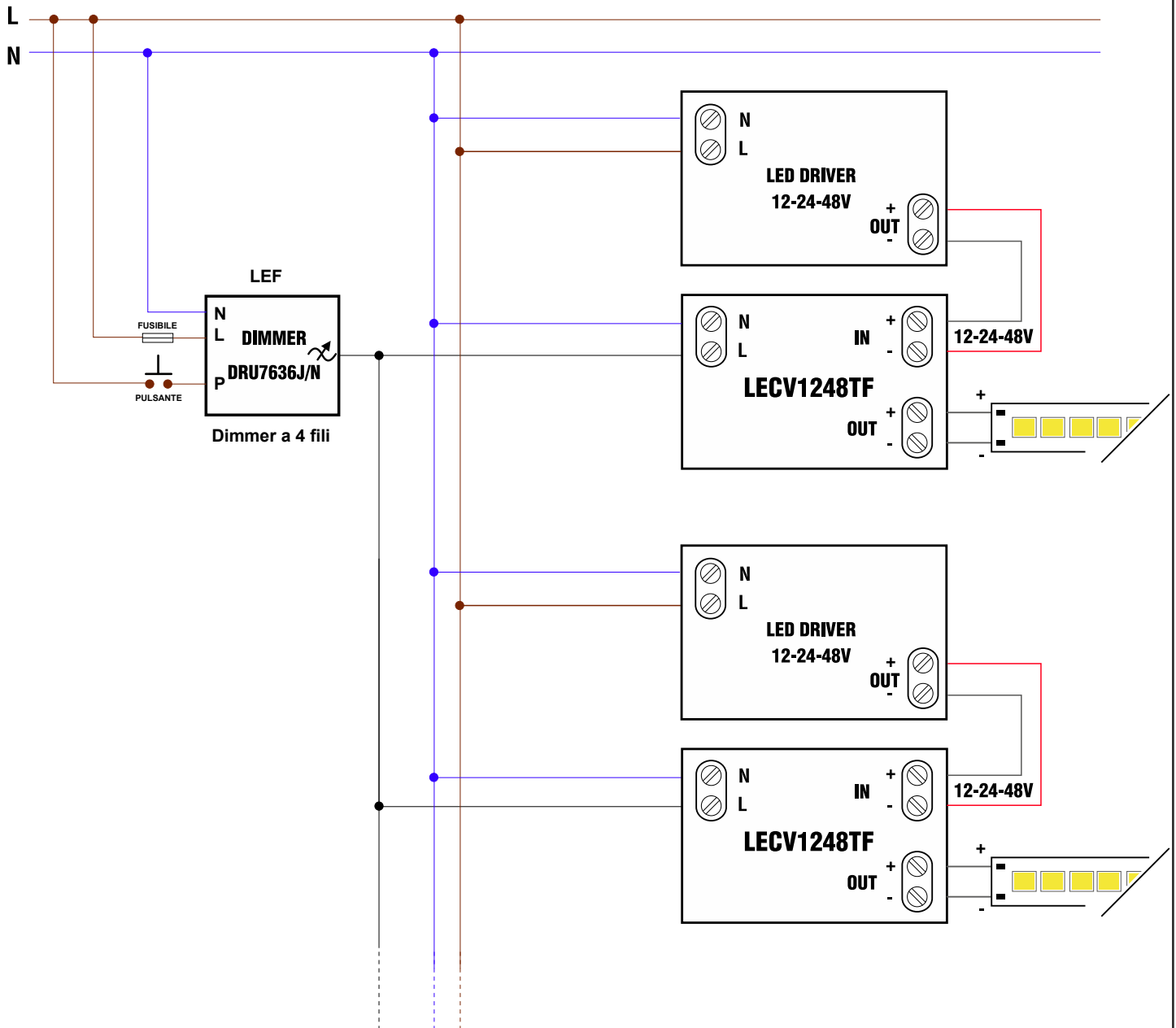


# SCHEMA DI COLLEGAMENTO

## DIMMER LEF cod.DRU7636J/N CON LECV1248TF

SCHEMA DI COLLEGAMENTO



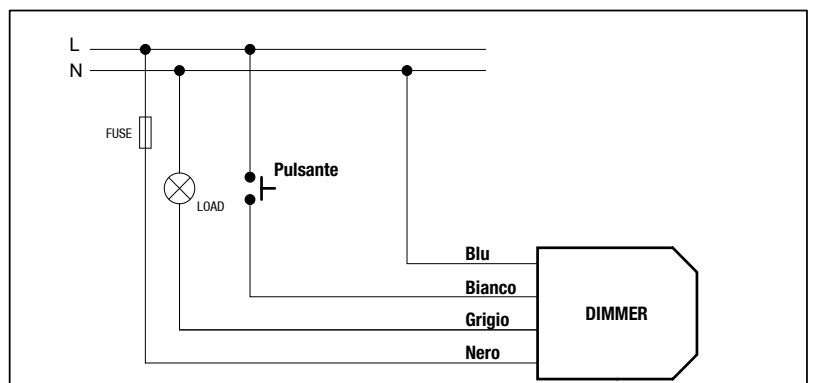
**LEF** Lighting  
Made in Italy  
www.leflighting.it

**LECV1248TF** CE  
PHASE CUT LED DIMMER

Dimming Jumper 2  
ON ONLY FOR CALIBRATION  
OFF ALWAYS

Dimming Jumper 1  
ON 2 KHz  
OFF 244 Hz

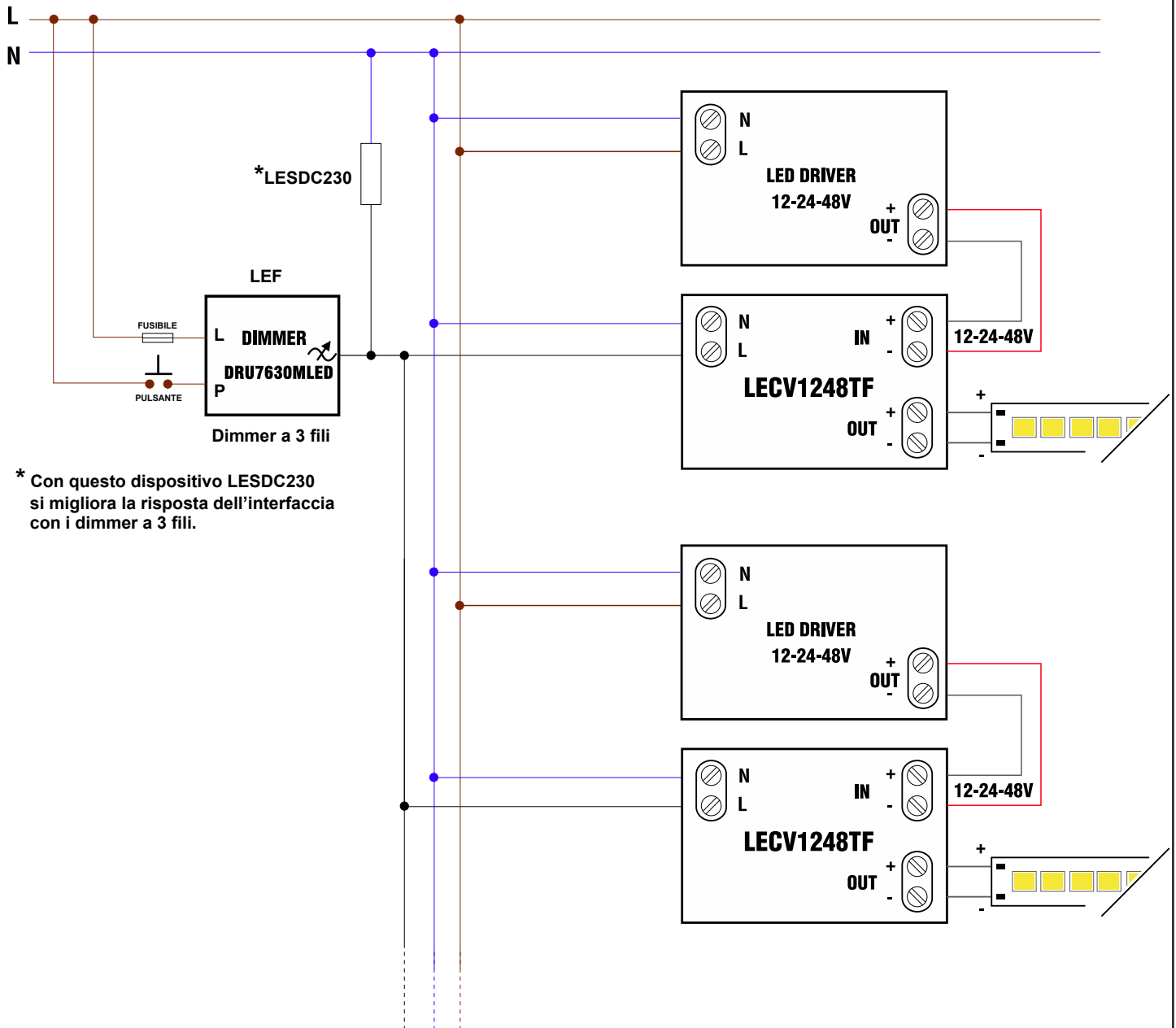
R00  
LED OUT 12-48V DC IN 10A MAX



# SCHEMA DI COLLEGAMENTO

## DIMMER LEF cod.DRU7630MLED CON LECV1248TF

SCHEMA DI COLLEGAMENTO



\* Con questo dispositivo LESDC230 si migliora la risposta dell'interfaccia con i dimmer a 3 fili.

**LEF Lighting** Made in Italy www.lef Lighting.it

**LECV1248TF** CE

PHASE CUT LED DIMMER

Dimming Jumper 2

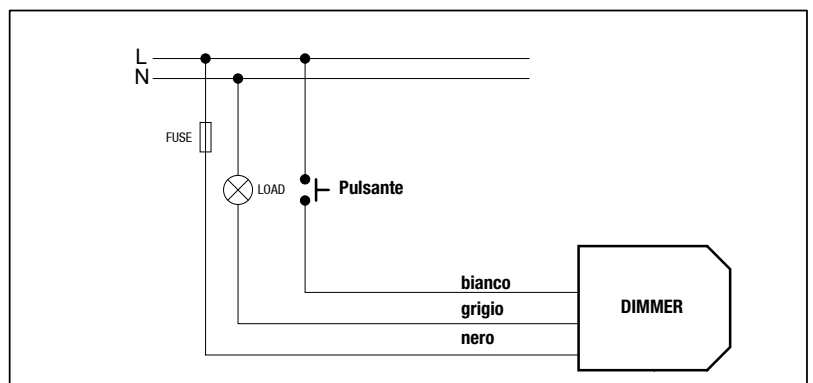
ON	ONLY FOR CALIBRATION
OFF	ALWAYS

Dimming Jumper 1

ON	2 KHz
OFF	244 Hz

R00

LED OUT 12-48V DC IN 10A MAX

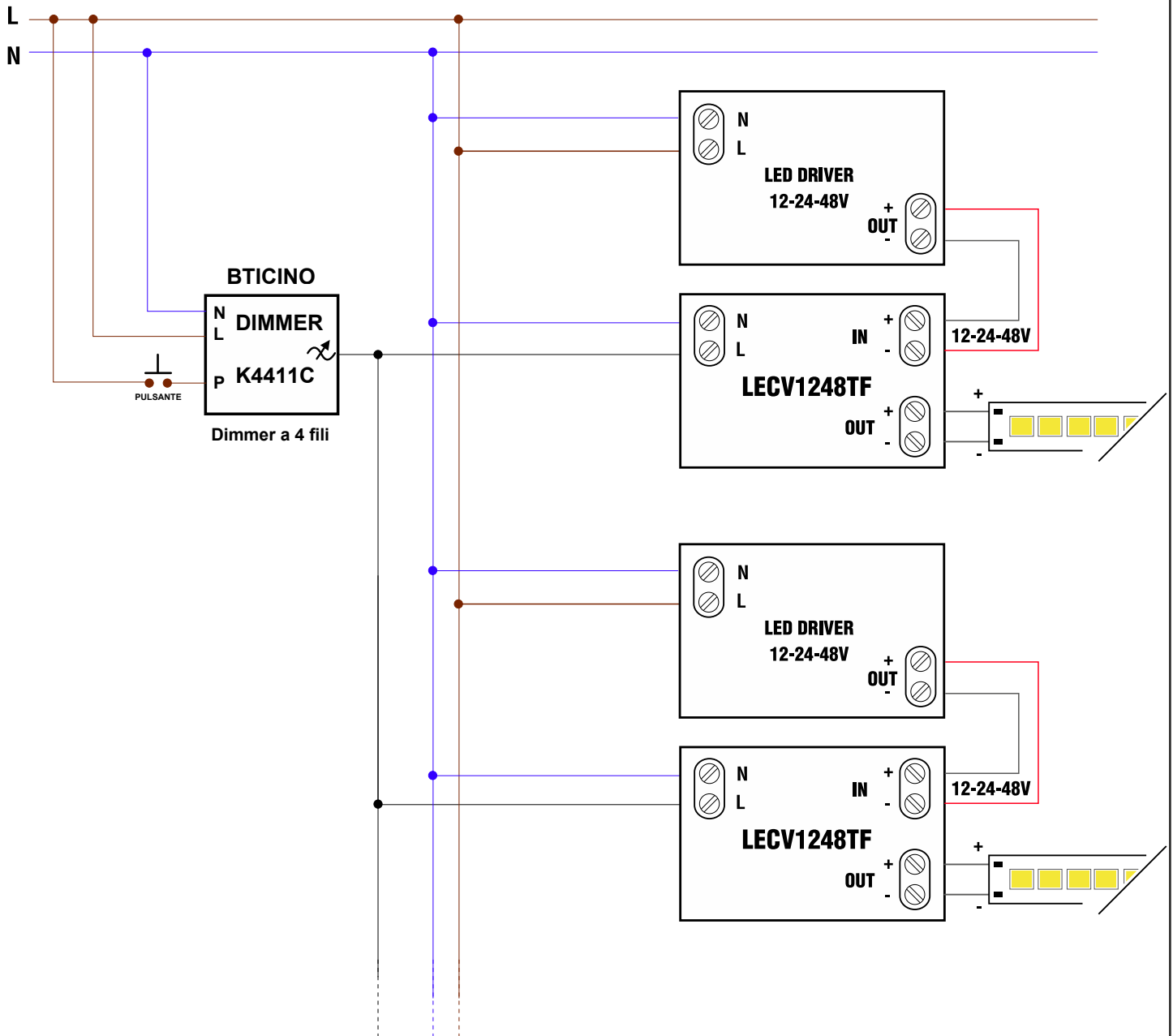


# SCHEMA DI COLLEGAMENTO

## BTICINO cod. K4411C CON LECV1248TF



SCHEMA DI COLLEGAMENTO



**LEF Lighting** Made in Italy www.lef-lighting.it

**LECV1248TF** CE

PHASE CUT LED DIMMER

Dimming Jumper 2

ON	ONLY FOR CALIBRATION
OFF	ALWAYS

Dimming Jumper 1

ON	2 KHz
OFF	244 Hz

R00

LED OUT 12-48V DC IN 10A MAX

