

USER GUIDE

LECV1224DPE, LEPWM-REP

Dimming interfaces for voltage LED 12-24Vdc (CV)
with push-button, DALI and 0/1-10V signal control IP20



www.leflighting.it

General Characteristics

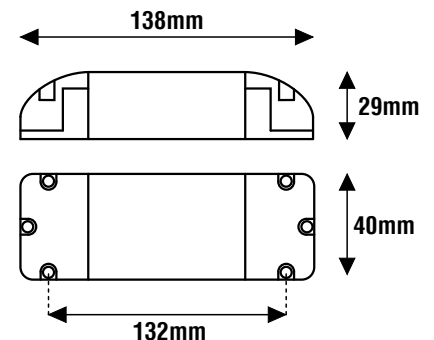
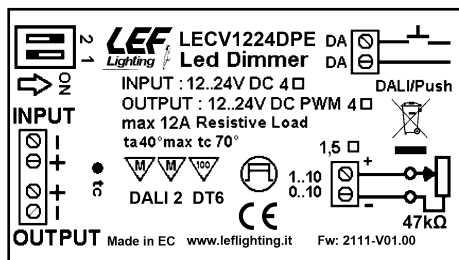
Plastic case
Device for independent mounting
Electric class protection II
Protection degree IP20

Reference Standards

EN 55015
EN 61347-1
EN 61347-2-11
EN 61547
EN 62386-207

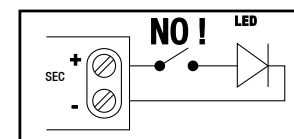
DIMMING DIP-SWITCH	
Comando Command	1 2
DALI PUSH 230V	- -
PUSH 12-24V	- ON
0-10V	ON -
1-10V	ON ON

CODICE CODE	Tensione di ingresso Input voltage (Vdc)	Tensione di uscita Output voltage (Vdc)	Corrente di uscita Output current (A)	Potenza di uscita Output power (W)		Comando Command	Versione Version	CC CV	Peso Weight (g)
				@12Vdc	@24Vdc				
LECV1224DPE	12-24	12-24	12	144	288	PUSH DALI 0-10V 1-10V POT47KΩ	MASTER	CV	100
LEPWM-REP			3x8	288	576				-



Technical Features

Input voltage range 12-24Vdc
Output voltage range 12-24Vdc
Brightness regulator for LED modules 12-24Vdc
Brightness adjustment through:
- push-button (PUSH 12-24Vdc)
- push-button (PUSH 230Vac)
- DALI signal
- 0-10V signal
- 1-10V signal
- 47Kohm potentiometer (setting by dip-switch)
Factory setting: "DALI/PUSH230VAC"
Frequency of the output voltage PWM: 300Hz
«LEVEL MEMORY» and «STATUS MEMORY» function
SLAVE version only for signal repetition (LEPWM-REP)
Open circuit protection (OCP)
Protection against overvoltage (OVP)
Short circuit protection (SCP)
Operating ambient temperature T_a -10°C ÷ +40°C
Max case temperature on T_c 70°C



N.B.
Device not suitable for no-load operation.

ATTENTION:
The installation of the product must be followed by qualified personnel.
If the product is used for purposes other than the original ones or if it is connected incorrectly, LEF Lighting S.R.L. will not accept any responsibility for damages caused.



PRODUCT TO BE DISPOSED DIFFERENTLY FROM URBAN WASTE
AEE identification nr.IT18040000010321

MADE IN E.C.



LEF LIGHTING S.R.L. | www.leflighting.it

Viale L. Ariosto 478/480 - 50019 Sesto Fiorentino (FI) - ITALY | Tel +39 055 421 77 27 - Fax +39 055 425

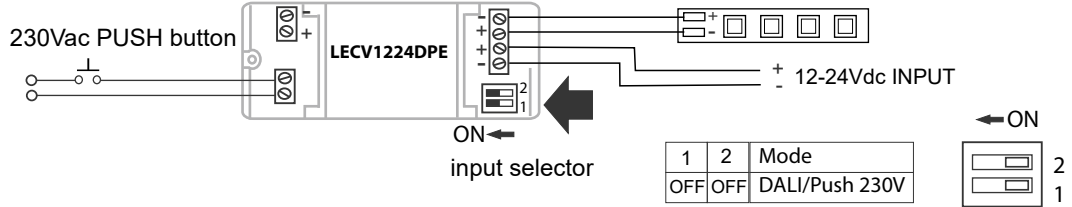
USER GUIDE

LECV1224DPE, LEPWM-REP

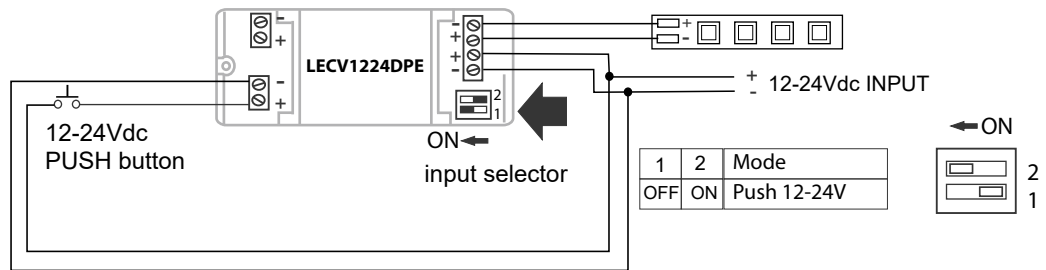


Wiring diagrams

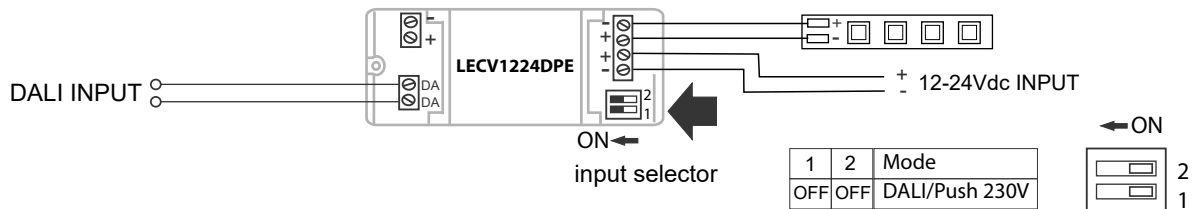
PUSH mode (PUSH 230Vac)



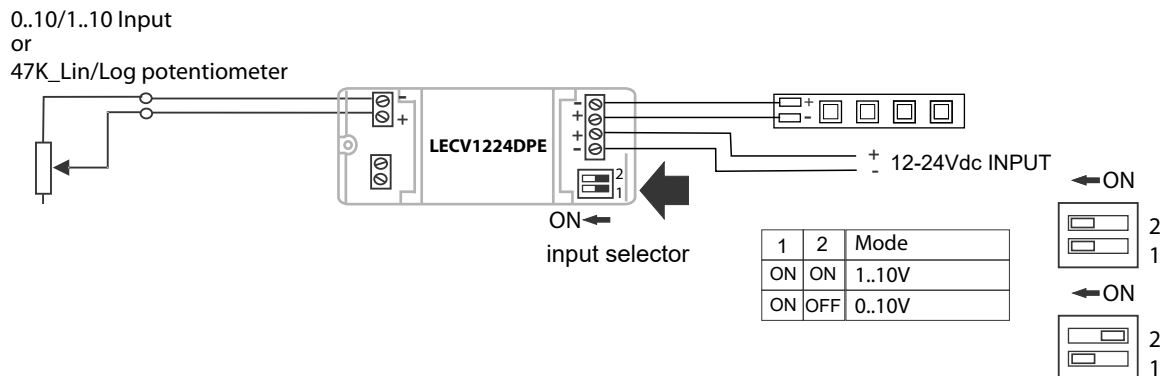
PUSH mode (PUSH 12-24Vdc)



DALI mode



0/1-10V mode



Low voltage circuit, connect input to a SELV or SELV equivalent driver.
 Cables should have a suitable section for the load, up to 4 mmq for high loads.
 Connect a resistive load, such as LED strips or LED modules respecting the maximum rated load.
 When dimming LED bulbs, please check first if they are dimmable or not and verify that their power factor is high.
 The interface has a loss of approximately 0,3V on the load at full power.
 Connections with reverse polarity can damage the device or the load.
 Check cable connections, they must be short and run far from high voltage lines.

[AA] Rev. v4.10 07/04/2023

USER GUIDE

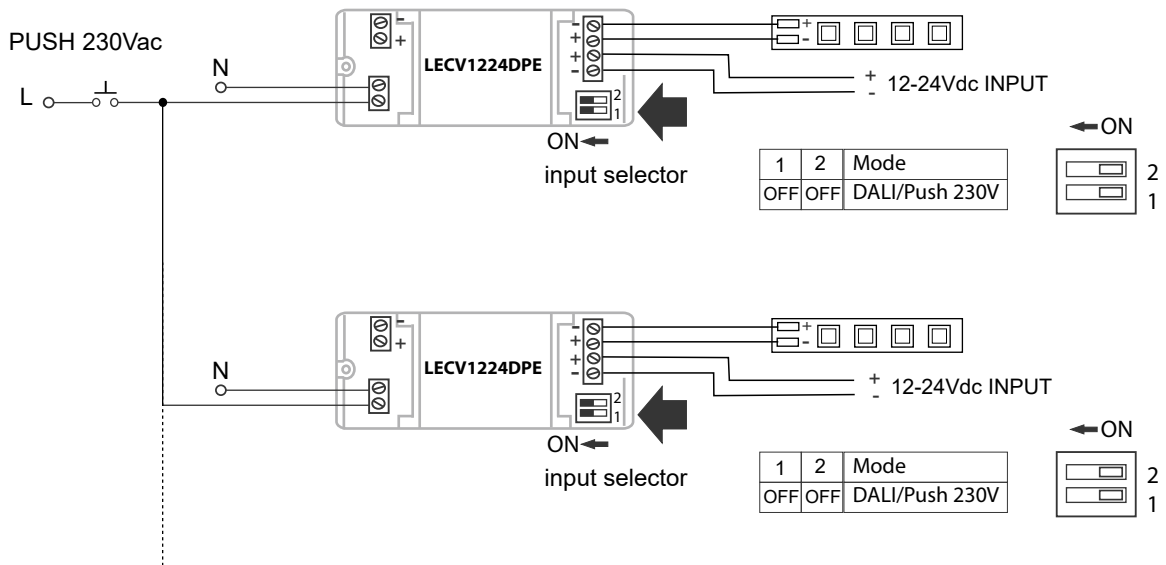
LECV1224DPE, LEPWM-REP

Wiring diagrams



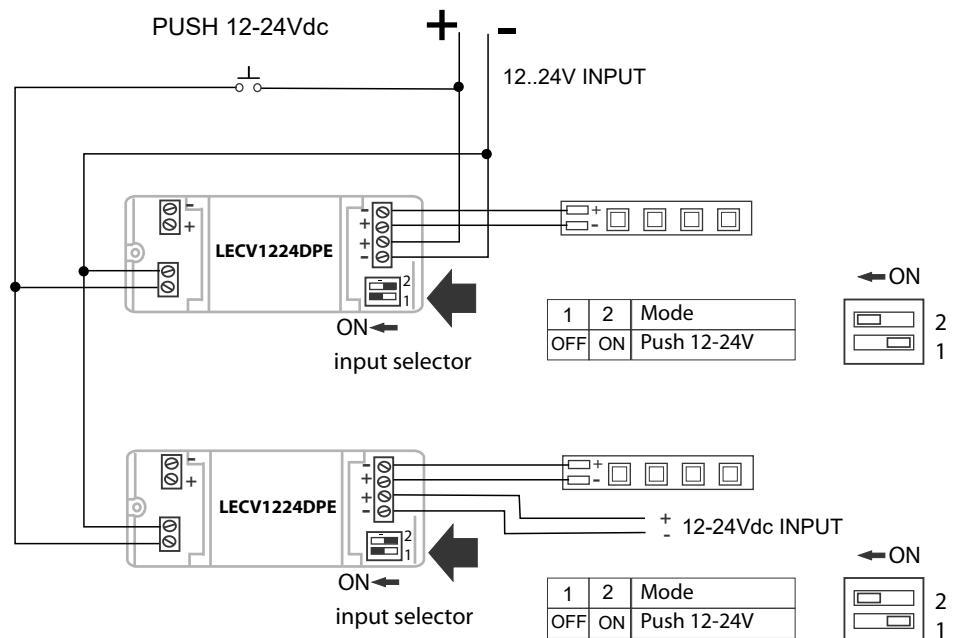
PUSH mode (PUSH 230Vac)

Synchronization by PUSH-BUTTON in parallel



PUSH mode (PUSH 12-24Vdc)

Synchronization by PUSH-BUTTON in parallel



Low voltage circuit, connect input to a SELV or SELV equivalent driver.
 Cables should have a suitable section for the load, up to 4 mmq for high loads.
 Connect a resistive load, such as LED strips or LED modules respecting the maximum rated load.
 When dimming LED bulbs, please check first if they are dimmable or not and verify that their power factor is high.
 The interface has a loss of approximately 0,3V on the load at full power.
 Connections with reverse polarity can damage the device or the load.
 Check cable connections, they must be short and run far from high voltage lines.

[AA] Rev. v4.10 07/04/2023

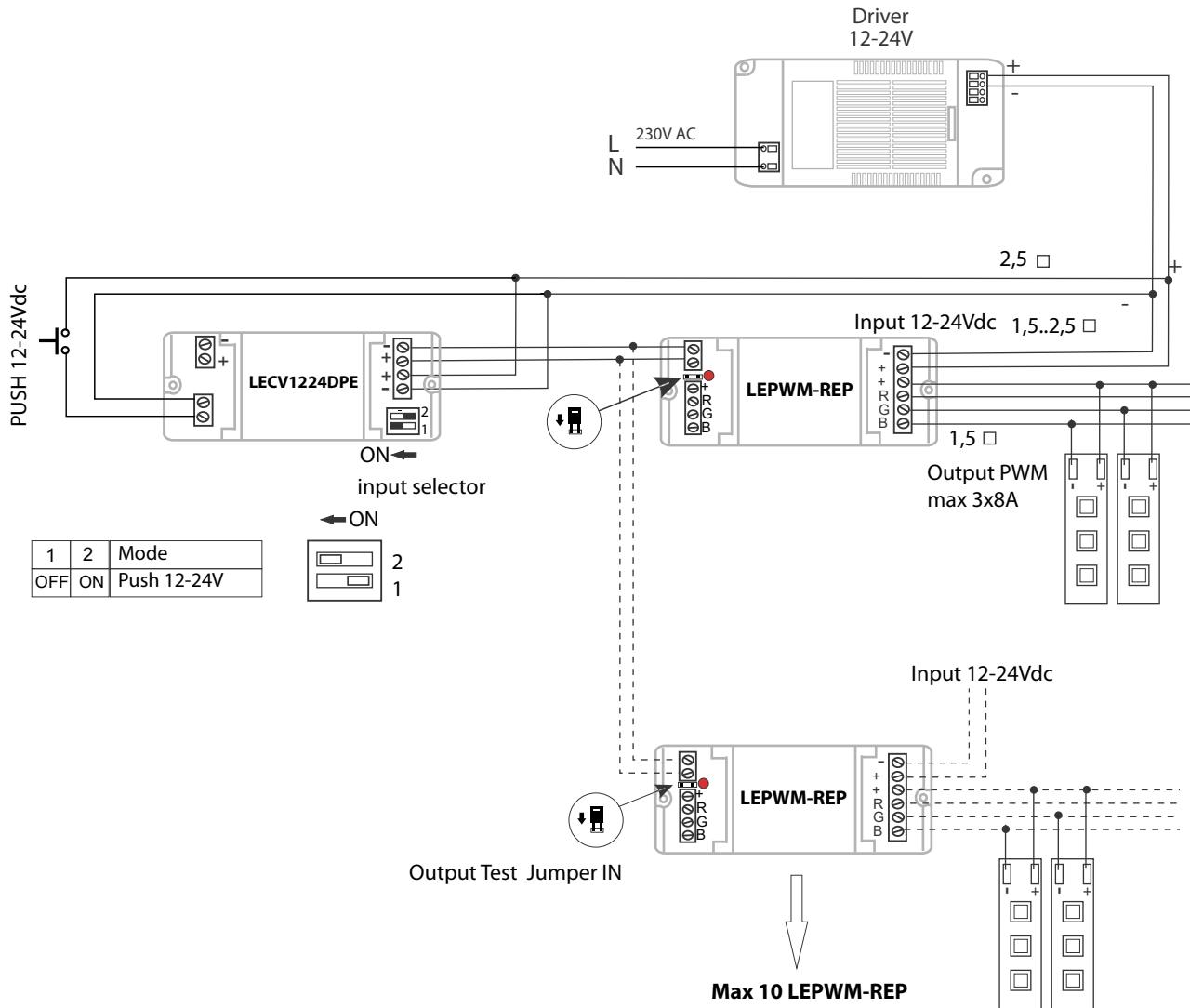
USER GUIDE

LECV1224DPE, LEPWM-REP

Wiring diagrams



MASTER-SLAVE mode LECV1224DPE with LEPWM-REP PUSH-BUTTON 12-24Vdc



ATTENTION

- The LECV1224DPE interface in this mode must not be connected to the load.
- The LECV1224DPE interface can also be controlled by a 230Vac BUTTON, DALI signal and 0/1-10V signal.
- Use a power supply for each LEPWM-REP repeater.