

USER GUIDE

LECV1224DP010, LECV1224DP110

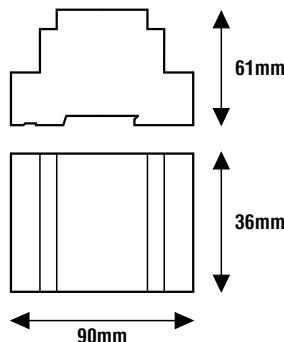
Dimming interfaces for voltage LED 12-24Vdc (CV)



www.lef-lighting.it

General Characteristics

DIN rail plastic case (2 modules)
 Device not for independent mounting
 Electric class protection II
 Protection degree IP20



Reference Standards

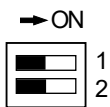
EN 55015
 EN 61347-1
 EN 61347-2-11
 EN 61547
 EN 62386-207

SYNCR by CABLE	max 10 DRIVER	DIP SWITCH	DIM POT 47KΩ	DIM 1-10V	DIM 0-10V	DALI DT6	DALI 2	DIM DALI	DIM PUSH 230Vac
----------------------	---------------------	---------------	--------------------	--------------	--------------	-------------	-----------	-------------	-----------------------

CODICE CODE	Tensione di ingresso Input voltage (Vdc)	Tensione di uscita* Output voltage* (Vdc)	Corrente di uscita Output current (A)	Potenza di uscita Output power (W)		Comando Command	CC CV	Peso Weight (g)
				@12Vdc	@24Vdc			
LECV1224DP010	12-24	12-24	12	144	288	PUSH DALI 0-10V POT47KΩ	CV	100
LECV1224DP110						PUSH DALI 1-10V POT47KΩ		

* The interface has a loss of approximately 0,3V on the load at full power.

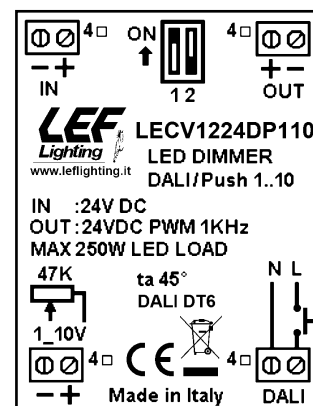
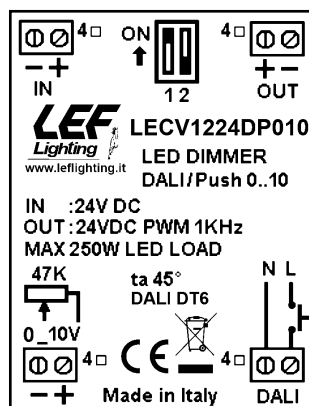
DIMMING DIP-SWITCH	
Comando Command	1 2
0-10V	ON OFF
DALI PUSH 230V	OFF ON



LECV1224DP010

DIMMING DIP-SWITCH	
Comando Command	1 2
1-10V	ON OFF
DALI PUSH 230V	OFF ON

LECV1224DP110



Technical Features

Input voltage range 12-24Vdc
 Output voltage range 12-24Vdc
Brightness regulator for LED modules 12-24Vdc

Brightness adjustment through:

- push-button (PUSH 230Vac)
- DALI signal
- 0-10V signal (LECV1224DP010)
- 1-10V signal (LECV1224DP110)
- 47Kohm potentiometer

(setting by dip-switch)

Factory setting "DALI | PUSH 230V"

Frequency of the output voltage PWM: 300Hz

Synchronization of multiple interfaces via wiring (max 10)

«LEVEL MEMORY» function

«STATUS MEMORY» function (last value before the black-out)

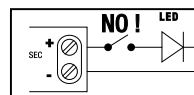
Open circuit protection (OCP)

Protection against overvoltage (OVP)

Short circuit protection (SCP)

Operating ambient temperature Ta -10°C ÷ +45°C

Max case temperature on Tc 70°C



N.B.

Power supply not suitable for no-load operation.

ATTENTION:

The installation of the product must be followed by qualified personnel. If the product is used for purposes other than the original ones or if it is connected incorrectly, LEF Lighting S.R.L. will not accept any responsibility for damages caused.

[AA] Rev. V1.10 24/01/2023

MADE IN ITALY

PRODUCT TO BE DISPOSED DIFFERENTLY FROM URBAN WASTE
 AEE Identification nr.IT18040000010321

LED

CE

IP20

SELV

ta
MAX 45°C

tc
MAX 70°C

288
WATT

DC 12V
DC 24V

CV

DIN
2

LEF LIGHTING S.R.L. | www.lef-lighting.it

Viale L. Ariosto 478 - 50019 Sesto Fiorentino (FI) - ITALY | Tel +39 055 421 77 27 - Fax +39 055 425 44 92

USER GUIDE

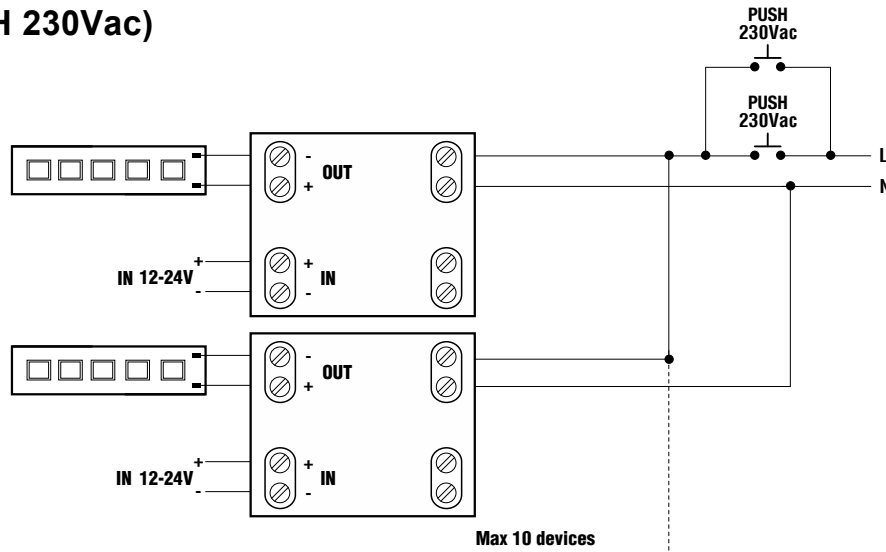
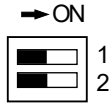
LECV1224DP010, LECV1224DP110

Wiring diagrams



PUSH mode (PUSH 230Vac)

DIMMING DIP-SWITCH	
Comando Command	1 2
PUSH 230V	OFF ON

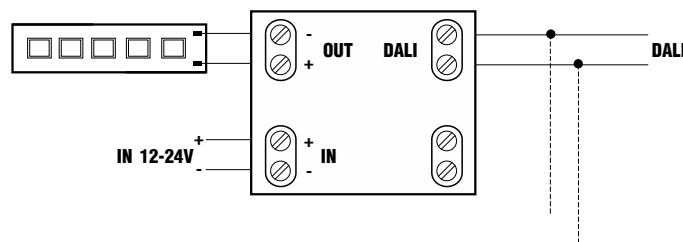
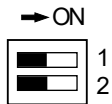


ALIGNMENT PROCEDURE

If the interfaces go out of sync, dim the light to minimum and continue to hold the button for 5 seconds. All devices will sync at 100%.

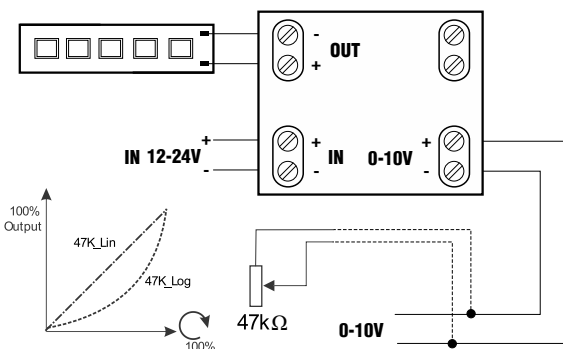
DALI mode

DIMMING DIP-SWITCH	
Comando Command	1 2
DALI	OFF ON



0-10V mode

Connection valid only for LECV1224DP010

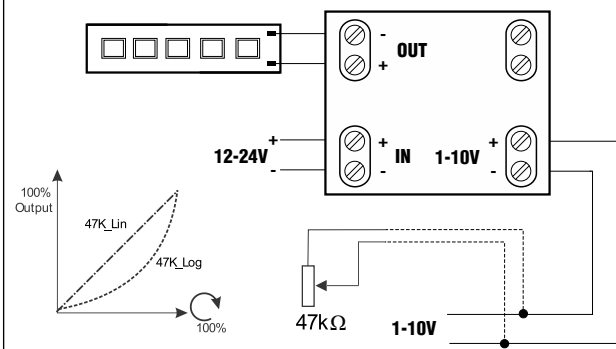


DIMMING DIP-SWITCH	
Comando Command	1 2
0-10V	ON OFF

→ ON

1-10V mode

Connection valid only for LECV1224DP110



DIMMING DIP-SWITCH	
Comando Command	1 2
1-10V	ON OFF

→ ON

- Low voltage circuit, connect input to a SELV or SELV equivalent driver.
- Cables should have a suitable section for the load, up to 4 sqmm for high loads.
- Connect a resistive load, such as LED strips or led modules respecting the maximum rated load.
- When dimming 12Vdc LED bulbs, please check first if they are dimmable or not and verify that their power factor is high.
- Connections with reverse polarity can damage the device or the load.
- Check cable connections, they must be short and run far from high voltage lines.

[AA] Rev. v1.10 24/01/2023