

LE6171BB -LE6171/3BB

USER GUIDE

The electronic units for emergency lighting are suitable for power LED (current controlled) or LED modules (voltage controlled).

They can be used indifferently for maintained (main, 220-240V, in combination with LED electronic driver), or emergency operation.

All the models have sealed NiCd batteries able to guarantee high efficiency with high temperatures.

The electronic units can be put on a false ceiling or on a ceiling lamp, module, channel, thus allowing any light spot to be qualified for emergency in a simple and quick way, where needed.

The electronic devices are designed according to EN61347-2-13, EN61347-2-7, EN61547, EN55015, EN60598-2-22, EN61000-3-2, SELV.

IMPORTANT:

always read the present instruction leaflet

- For the wiring please refer to enclosed wiring diagrams.
- Great attention must be paid to polarity during the installation of the battery.
- Keep batteries away from heat sources (away from electronic driver or LED source).
- In order to check the correct functionality we recommend a charging of about 30 hours.
- This system is made to be powered only with the supplied batteries: do not connect any external battery charger.
- It is advisable to effect periodically (every 3 months) at least one discharge and charge cycle in order to assure the max efficiency.
- Replace the batteries every 4 years or after 500 charge/discharge cycles.
- Before every maintenance operation, disconnect all mains.
- This product contains materials which could be toxic if improperly disposed in the environment.
- Keep this instruction leaflet for any further reference.

Technical characteristics:

- Supply voltage: 220+240V - 50/60Hz
- Supply current: 20mA - $\cos\phi$ 0.6
- Max case temperature: 70°C
- Ambient temperature: 5+50°C
- Recharging time: 24h
- Terminals max connection size: 1.5mm²
- Connected to power supplies 90V maximum output voltage 2A maximum output current
- Charging device with supply is reinforced insulation able to recharge the battery normally after the test in clause 22.3 of the IEC 61347-2-7:2007

LE6171BB - 1h -Batt. NiCd 7,2V-1,6Ah

Dip-switch position	Emergency working voltage (VL)	Emergency output current (I)	Max power LED current controlled	LED modules voltage controlled
A	9 - 12V	350-300mA	$N_{LED}=12 / V_F$	12V-2A max
B	9 - 24V	350-160mA	$N_{LED}=24 / V_F$	24V-2A max
C	9 - 45V	350-80mA	$N_{LED}=45 / V_F$	-
D	9 - 57V	350-60mA	$N_{LED}=57 / V_F$	-

LE6171/3BB - 3h -Batt. NiCd 7,2V-1,6Ah

Dip-switch position	Emergency working voltage (VL)	Emergency output current (I)	Max power LED current controlled	LED modules voltage controlled
A	9 - 12V	210-165mA	$N_{LED}=12 / V_F$	12V-2A max
B	9 - 24V	210-90mA	$N_{LED}=24 / V_F$	24V-2A max
C	9 - 45V	210-45mA	$N_{LED}=45 / V_F$	-
D	9 - 57V	210-30mA	$N_{LED}=57 / V_F$	-

Emergency Vmax dip-switch settings	A B C D			
	12V	24V	45V	57V
1	ON	-	ON	-
2	ON	ON	-	-

ATTENTION

To not cause LED damage, please connect following this order: 1) LED source;2) Battery cable; 3) Mains connection

Do not disconnect and connect the LED source during emergency operation

WIRING

LED source out: connect LED source to the OUT terminal (always respect cable polarity).

Battery: connect battery to BATT. terminal.

Direct Line (Charge): connect the terminals 1 - 2 (L - N) to the mains that must never be disconnected (battery charge).

When there is a decrease in mains voltage the emergency automatically starts working.

Interrupted Line - Maintained: connect as shown in the wiring diagram LE Series.

External driver LED connection - Maintained:

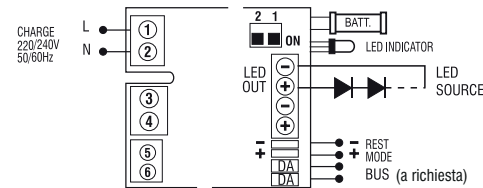
Connect the terminal (+) and (-) PWR to external driver (always respect polarity).

LED indicator: shows the presence of mains and battery in charge.

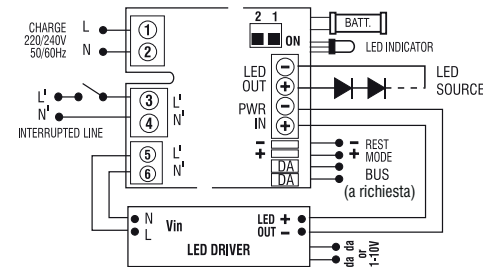
It must always remain connected to device in a visible place outside near the lamp qualified for the emergency.

LE61 - WIRING DIAGRAM

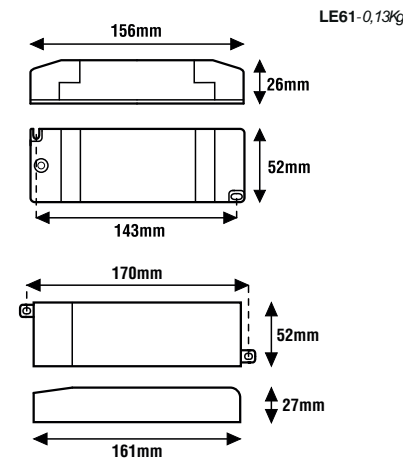
non-maintained (emergency only)



maintained with external electronic driver



DIMENSION AND WEIGHT



ATTENTION:
The installation of the product must be followed by qualified personnel.
If the product is used for purposes other than the original ones or if it is connected incorrectly, LEF Lighting S.R.L. will not accept any responsibility for damages caused.

PRODUCT TO BE DISPOSED DIFFERENTLY FROM URBAN WASTE
AEE identification nr.IT18040000010321

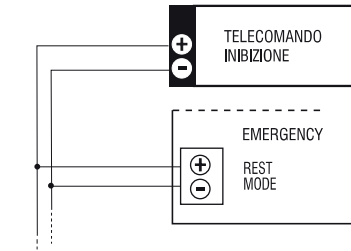
ELECTRONIC CONTROL GEAR WITH REINFORCED INSULATION

INHIBITIONS WIRING DIAGRAMS

Rest mode facility

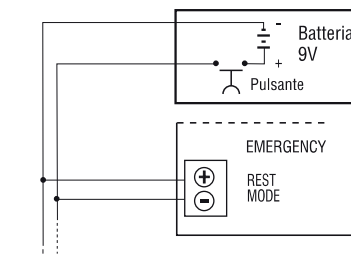
REMOTE CONTROL DEVICE

It allows both to switch off and switch on the emergency lamps during emergency mode. The rest mode is automatically resetted when mains voltage is restored.



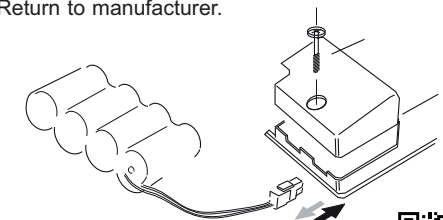
PUSH BUTTON AND BATTERY

It allows only to switch to "rest mode" during emergency mode, using a remote push button and 9V battery. The rest mode, in accordance with Standards prescriptions, is automatically resetted when mains voltage is restored.



BATTERY REPLACEMENT

Sealed NiCd batteries.
To replace batteries follows the instructions.
Use only original batteries.
Do not discard in the environment.
Return to manufacturer.



Made in Italy

www.lef Lighting.it