

USER GUIDE

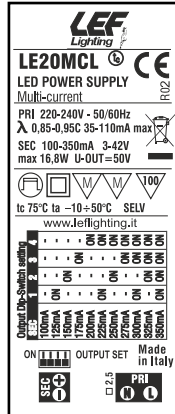
LE20MCL

Constant current LED driver



General Characteristics

Plastic case
Driver for independent mounting
Electric class protection II
Protection degree IP20



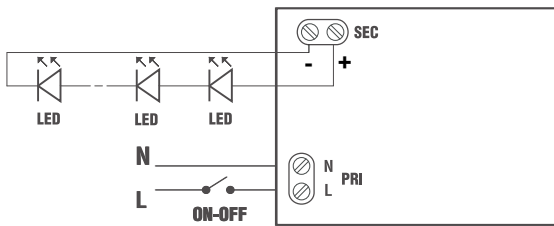
Corrente di uscita Output current (mA)	PFC (λ)	Rendimento energetico Energy performance (%)
100	0,85	81
125	0,87	83
150	0,89	84
175	0,90	85
200	0,91	85
225	0,92	85
250	0,92	85
275	0,93	86
300	0,93	86
325	0,95	86
350	0,95	86

Corrente di uscita Output current (mA)	1	2	3	4
100	-	-	-	-
125	ON	-	-	-
150	-	ON	-	-
175	-	-	ON	-
200	-	-	-	ON
225	ON	-	-	ON
250	-	ON	-	ON
275	-	-	ON	ON
300	ON	-	ON	ON
325	-	ON	ON	ON
350	ON	ON	ON	ON



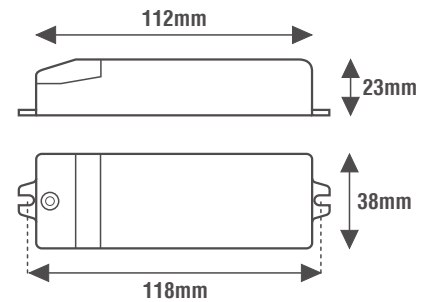
www.lef-lighting.it

CODICE CODE	Tensione di ingresso Input voltage (Vac)	Frequenza di rete Input frequency (Hz)	Potenza di uscita Output power (W)	Tensione di uscita Output voltage (Vdc)	Corrente di uscita Output current (mA)	PFC (λ)	CC CV	Peso Weight (g)
LE20MCL	220-240	50÷60	4,2	3-42	100	0,85	CC	100
			5,3		125	0,87		
			6,3		150	0,89		
			7,4		175	0,90		
			8,4		200	0,91		
			9,5		225	0,92		
			10,5		250	0,92		
			11,6		275	0,93		
			12,6		300	0,93		
			13,7		325	0,95		
			14,7		350	0,95		



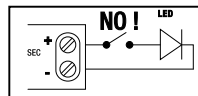
Reference Standards

EN 55015
EN 61000-3-2
EN 61347-1
EN 61347-2-13
EN 61547
EN 62384



Technical Features

Input voltage range 220-240Vac
Input frequency 50÷60Hz
Constant current output 100÷350mA
(settings by dip-switch)
Factory setting: 350mA
Open circuit Protection (OCP)
Overload protection (OLP)
Protection against overtemperature (OTP)
Short circuit protection (SCP)
Power factor correction (PFC) $\lambda \geq 0,85$
Energy efficiency: (see table)
Operating ambient temperature $T_a -10^{\circ}\text{C} \div +50^{\circ}\text{C}$
Max case temperature on $T_c 75^{\circ}\text{C}$



N.B.

Power supply not suitable
for no-load operation

ATTENTION:

The installation of the product must be followed by qualified personnel.
If the product is used for purposes other than the original ones or if it is connected incorrectly, LEF Lighting S.R.L. will not accept any responsibility for damages caused.



PRODUCT TO BE DISPOSED DIFFERENTLY FROM URBAN WASTE
MADE IN ITALY
AEE identification nr.IT1804000010321

