

# USER GUIDE

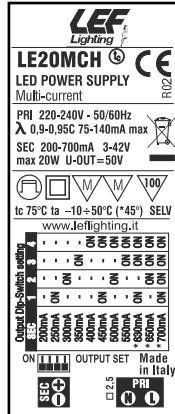
## LE20MCH

Constant current LED driver



### General Characteristics

Plastic case  
Driver for independent mounting  
Electric class protection II  
Protection degree IP20



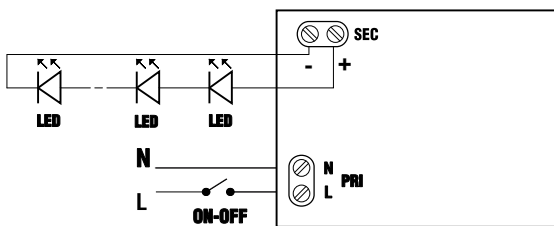
Corrente di uscita Output current (mA)	PFC (λ)	Rendimento energetico Energy performance (%)
200	0,85	86
250	0,86	86
300	0,88	86
350	0,89	86
400	0,90	86
450	0,91	86
500	0,93	86
550	0,93	84
630	0,93	84
650	0,93	83
700	0,95	82

Corrente di uscita Output current (mA)	1	2	3	4
200	-	-	-	-
250	ON	-	-	-
300	-	ON	-	-
350	-	-	ON	-
400	-	-	-	ON
450	ON	-	-	ON
500	-	ON	-	ON
550	-	-	ON	ON
630	ON	-	ON	ON
650	-	ON	ON	ON
700	ON	ON	ON	ON



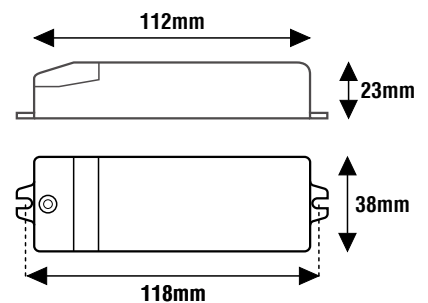
www.lef-lighting.it

CODICE CODE	Tensione di ingresso Input voltage (Vac)	Frequenza di rete Input frequency (Hz)	Potenza di uscita Output power (W)	Tensione di uscita Output voltage (Vdc)	Corrente di uscita Output current (mA)	PFC (λ)	CC CV	Peso Weight (g)
LE20MCH	220-240	50÷60	8,4	3-42	200	0,85	CC	100
			10,5		250	0,86		
			12,6		300	0,88		
			14,7		350	0,89		
			16,8		400	0,90		
			18,9		450	0,91		
			20	3-40	500	0,93		
			19,8	3-36	550	0,93		
			19,6	3-31	630	0,93		
			19,5	3-30	650	0,93		
			19,6	3-28	700	0,95		



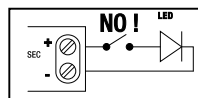
### Reference Standards

EN 55015  
EN 61000-3-2  
EN 61347-1  
EN 61347-2-13  
EN 61547  
EN 62384



### Technical Features

Input voltage range 220-240Vac  
Input frequency 50÷60Hz  
**Constant current output 200÷700mA**  
(settings by dip-switch)  
Factory setting: 700mA  
Open circuit Protection (OCP)  
Overload protection (OLP)  
Protection against overtemperature (OTP)  
Short circuit protection (SCP)  
Power factor correction (PFC) λ ≥ 0,9  
Energy efficiency: (see table)  
Operating ambient temperature Ta -10°C ÷ +50°C  
Max case temperature on Tc 75°C



### N.B.

Power supply not suitable for no-load operation

### ATTENTION:

The installation of the product must be followed by qualified personnel. If the product is used for purposes other than the original ones or if it is connected incorrectly, LEF Lighting S.R.L. will not accept any responsibility for damages caused.



PRODUCT TO BE DISPOSED DIFFERENTLY FROM URBAN WASTE **MADE IN ITALY**  
AEE identification nr.IT18040000010321



[AA] Rev. v5.11 11/11/2022

LEF LIGHTING S.R.L. | www.lef-lighting.it

Viale L.Ariosto 478 - 50019 Sesto Fiorentino (FI) - ITALY | Tel +39 0554217727 - Fax +39 0554217719