

INSTRUCTIONS LE1835TF / LE1850TF / LE1870TF DIMMABLE CONSTANT CURRENT LED DRIVERS

Dimmable constant current LED drivers.

Constant output current 350/500/700mA.

Phase-cut dimmable with mode:

- TRIAC Leading-Edge

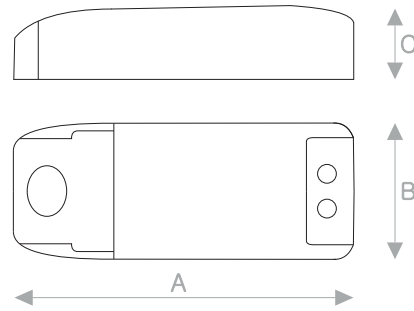
- IGBT Trailing-Edge

Plastic case.

Driver for independent mounting.

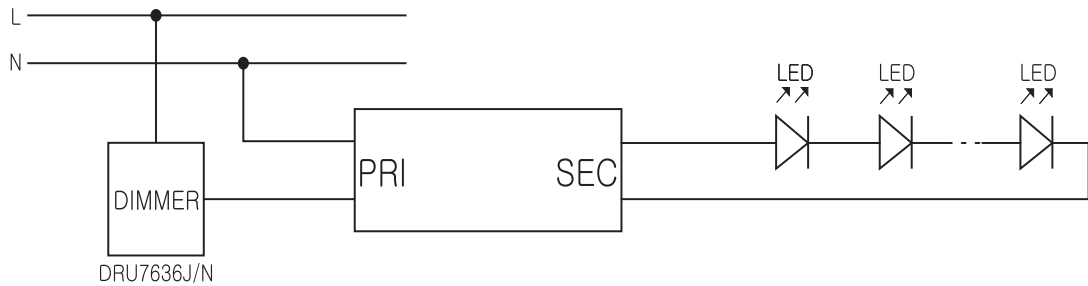
Electric class protection II.

Protection degree IP20.



CODICE CODE	TENSIONE DI INGRESSO INPUT VOLTAGE (Vac)	FREQUENZA DI RETE INPUT FREQUENCY (Hz)	POTENZA DI USCITA OUTPUT POWER (W)		N° LED MIN - MAX	TENSIONE DI USCITA OUTPUT VOLTAGE (Vdc)	CORRENTE DI USCITA OUTPUT CURRENT (mA)		CC CV	PFC (λ)	PESO WEIGHT (g)	DIMENSIONI DIMENSIONS (mm)			
			@110V	@230V			@110V	@230V				A	B	C	D
LE1835TF	220-240	50÷60	-	18	5-14	15-52	-	350	CC	0,90	100	113	44	28	-
LE1850TF					3-10	9-36	-	500							
LE1870TF					2-7	6-26	-	700							

WIRING DIAGRAM



Dimming LED Driver Constant Current
LE1835TF 18W 350mA

PRI: 220-240V~ 50/60Hz 0.11A
SEC: 350mA, 15-52V~, Max.18W
λ: 0.90C t_a=-20...50°C t_c=90°C
Dimmable with leading edge or trailing edge dimmer
SELV

www.lef.it

Made in P.R.C.

Dimming LED Driver Constant Current
LE1850TF 18W 500mA

PRI: 220-240V~ 50/60Hz 0.11A
SEC: 500mA, 9-36V~, Max.18W
λ: 0.90C t_a=-20...50°C t_c=90°C
Dimmable with leading edge or trailing edge dimmer
SELV

www.lef.it

Made in P.R.C.

Dimming LED Driver Constant Current
LE1870TF 18W 700mA

PRI: 220-240V~ 50/60Hz 0.11A
SEC: 700mA, 6-26V~, Max.18W
λ: 0.90C t_a=-20...50°C t_c=90°C
Dimmable with leading edge or trailing edge dimmer
SELV

www.lef.it

Made in P.R.C.

Technical Features

- Input voltage range: 220-240Vac
- Input frequency: 50÷ 60 Hz
- **Constant output current 350/500/700mA**
- Protection against overtemperature (OTP)
- Overload protection (OLP)
- Short circuit protection (SCP)
- Open circuit protection (OCP)
- Power factor correction (PFC) λ ≥ 0,90
- Operating ambient temperature Ta -20°C ÷ +50°C
- Max case temperature on Tc: 90°C

ATTENTION:

The installation of the product must be followed by qualified personnel.

If the product is used for purposes other than the original ones or if it is connected incorrectly, LEF Lighting S.R.L. will not accept any responsibility for damages caused.

Reference Standards:

- EN 55015
- EN 61000-3-2
- EN 61347-1
- EN 61347-2-13
- EN 61547
- EN 62384



PRODUCT TO BE DISPOSED DIFFERENTLY FROM URBAN WASTE



MADE IN P.R.C.

LEF LIGHTING S.R.L.

Via Rodolfo Morandi, 9/11- 50019 Sesto Fiorentino (FI) - ITALY | tel +39 055 4217727 - Fax +39 055 4254492 | www.lef.it

USER GUIDE

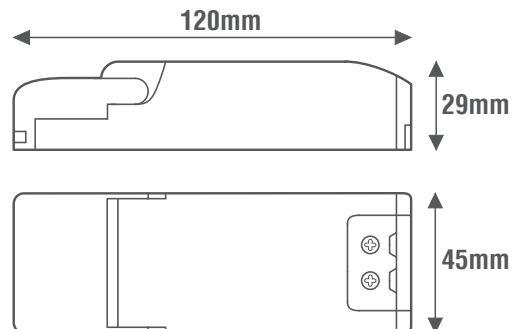
Code: LE1835TF

DIMMABLE CONSTANT CURRENT LED DRIVER



General Characteristics

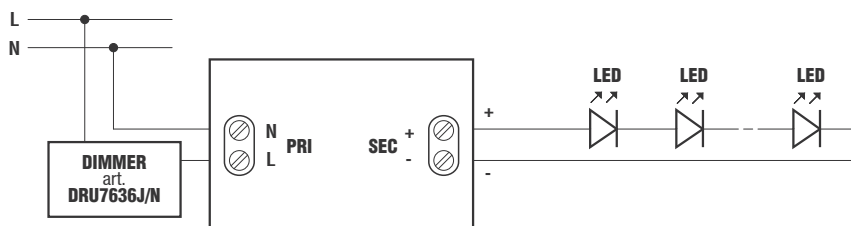
Plastic case
 Driver for independent mounting
 Electric class protection II
 Protection degree IP20



Dimmerazione a Taglio di Fase discendente (a fine fase) IGBT Trailing Edge
 Descending Phase Cutting dimming (at the end of the phase) IGBT Trailing Edge
Dimmerazione a Taglio di Fase ascendente (a inizio fase) TRIAC Leading Edge
 Ascending Phase Cutting dimming (at the beginning of the phase) TRIAC Leading Edge

CODICE CODE	Tensione di ingresso Input voltage (Vac)	Frequenza di rete Input frequency (Hz)	Potenza di uscita Output power (W)		N°LED MIN - MAX Vled~3V	Tensione di uscita Output voltage (Vdc)	Corrente di uscita Output current (mA)	PFC (λ)	CC CV	Peso Weight (g)
			MIN	MAX						
LE1835TF	220-240	50÷60	9,1	18,2	9-14	26-52	350	0,95	CC	100

Wiring diagram



⊕ SEC 350mA 0,5-2,5□
 ⊖ Umax=62V

LE1835TF
 Dimmable with leading edge or trailing edge dimmer

LEF Lighting
 www.lef-lighting.it

PRI: 220-240V~ 50/60Hz 0,11A
 SEC: 350mA, 26-52V=, Max,18W
 λ : 0,95 ta=45°C tc=80°C

CE, SELV, MADE IN P.R.C., 220-240V~ PRI, 0,75-2,5□

Technical Features

Input voltage range 220-240Vac
 Input frequency 50÷60Hz
Constant current output 350mA
Phase-cut dimmable with mode:
 - TRIAC Leading-Edge
 - IGBT Trailing-Edge
 Open circuit Protection (OCP)
 Overload protection (OLP)
 Protection against overtemperature (OTP)
 Short circuit protection (SCP)
 Power factor correction (PFC) λ ≥ 0,95
 Operating ambient temperature Ta -20°C ÷ +45°C
 Max case temperature on Tc 80°C

Attention:

The installation of the product must be followed by qualified personnel.

If the product is used for purposes other than the original ones or if it is connected incorrectly, LEF Lighting S.R.L. will not accept any responsibility for damages caused.

Reference Standards

EN 55015
 EN 61000-3-2
 EN 61000-3-3
 EN 61347-1
 EN 61347-2-13
 EN 61547
 EN 62493



MADE IN P.R.C.

PRODUCT TO BE DISPOSED DIFFERENTLY FROM URBAN WASTE
 AEE identification nr.IT18040000010321



LEF LIGHTING S.R.L. | www.lef-lighting.it

Via Rodolfo Morandi, 9/11 - 50019 Sesto Fiorentino (FI) - ITALY | Tel +39 055 421 77 27 - Fax +39 055 425 44 92