

# USER GUIDE

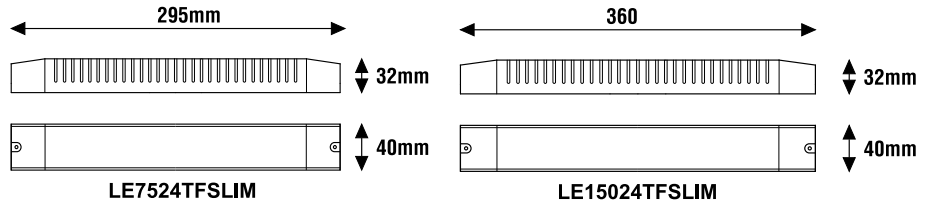
## LE7524TFSLIM, LE15024TFSLIM

Phase-cut dimmable constant voltage LED drivers (CV)



### General Characteristics

- Plastic case (SLIM)
- Driver for independent mounting
- Electric class protection II
- Protection degree IP20



**LEF Lighting** TRIAC Constant Voltage Dimming Driver  
**LE15024TFSLIM**  
 Uin:220-240V~ 50/60Hz Iin:0.85Amax  
 Urated:24V Uout:25V Iout:6.25A Prated:150W PF: 0.98  
 ta:-20°C ...+50°C tc:90°C  
 LED Modules only

Made in P.R.C. CE SELV

**LEF Lighting** TRIAC Constant Voltage Dimming Driver  
**LE7524TFSLIM**  
 Uin:220-240V~ 50/60Hz Iin:0.43Amax Pin:85W PF>0.98  
 Urated:24V Uout:25V Iout:3.125A Prated:75W  
 ta:-20°C ...+50°C tc:85°C  
 LED Modules only

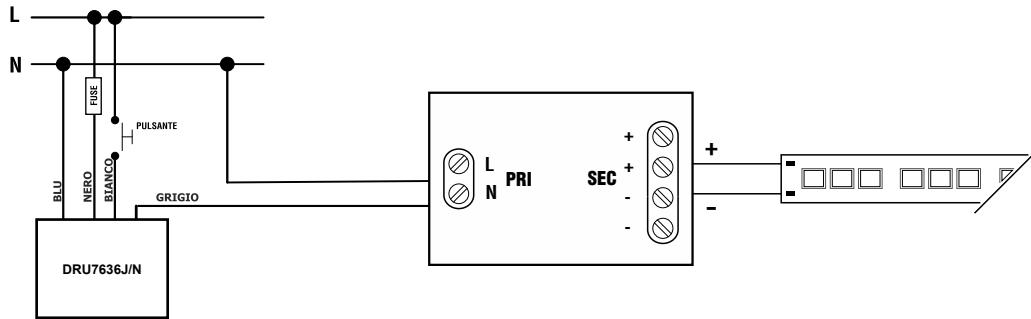
Made in P.R.C. CE SELV

**Dimmerazione a Taglio di Fase discendente (a fine fase) IGBT Trailing Edge**  
 Descending Phase Cutting dimming (at the end of the phase) IGBT Trailing Edge

**Dimmerazione a Taglio di Fase ascendente (a inizio fase) TRIAC Leading Edge**  
 Ascending Phase Cutting Dimming (at the beginning of the phase) TRIAC Leading Edge



CODICE CODE	Tensione di ingresso Input voltage (Vac)	Frequenza di rete Input frequency (Hz)	Potenza di uscita Output power (W)		Comando Command	Tensione di uscita Output voltage (Vdc)	Corrente di uscita Output current (mA)		PFC (λ)	CC CV	Peso Weight (g)
			MIN	MAX			MIN	MAX			
LE7524TFSLIM	220-240	50÷60	18	75	TRIAC-IGBT	24	750	3125	0,98	CV	350
LE15024TFSLIM			35	150			1460	6250			570



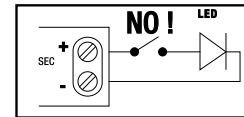
**LED 150 WATT EE 89%**

#### Reference Standards

- EN 55015
- EN 60958-1
- EN 61000-3-2
- EN 61000-3-3
- EN 61347-1
- EN 61347-2-13
- EN 61547
- EN 62493

### Technical Features

- Input voltage range 220-240Vac
- Input frequency 50÷60Hz
- Constant voltage output 24Vdc
- Phase-cut dimmable with mode:
  - TRIAC Leading-Edge
  - IGBT Trailing-Edge
- Double output terminal
- Energy Efficiency (EE) 88% (LE7524TFSLIM)
- Energy Efficiency (EE) 89% (LE15024TFSLIM)
- Overload protection (OLP)
- Protection against overvoltage (OVP)
- Short circuit protection (SCP)
- Power factor correction (PFC) λ ≥ 0,98
- Operating ambient temperature Ta -20°C ÷ +50°C
- Max case temperature on Tc 80°C



#### N.B.

Power supply not suitable for no-load operation.

#### ATTENTION:

The installation of the product must be followed by qualified personnel. If the product is used for purposes other than the original ones or if it is connected incorrectly, LEF Lighting S.R.L. will not accept any responsibility for damages caused.

MADE IN P.R.C.



PRODUCT TO BE DISPOSED DIFFERENTLY FROM URBAN WASTE  
 AEE identification nr.IT18040000010321



CE SELV IP20 ta MAX 50°C tc MAX 90°C PFC λ≥0,98 150 WATT DC 24V CV 55mm

LEF LIGHTING S.R.L. | www.lef-lighting.it

Via Rodolfo Morandi, 9/11 - 50019 Sesto Fiorentino (FI) - ITALY | Tel +39 055 421 77 27 - Fax +39 055 425 44 92