

USER GUIDE

LE15024D, LE20024D

Dimmable constant voltage LED drivers (CV)



Technical Features



Input voltage range 110-240Vac
Input frequency 50÷60Hz

Constant voltage output 24Vdc

Energy Efficiency (EE): 92%

Brightness adjustment through:

- **DALI signal**

- **push-button (PUSH 230Vac)**

«LEVEL MEMORY» and «STATUS MEMORY» function

Synchronization of multiple power supplies via cable (max 10 SLAVE) only in push button operation

Open circuit protection (OCP)

Protection against overtemperature (OTP)

Short circuit protection (SCP)

Power factor correction (PFC) $\lambda \geq 0,96$

Operating ambient temperature $T_a -10^{\circ}\text{C} \div +40^{\circ}\text{C}$

Max case temperature on $T_c 80^{\circ}\text{C}$

www.leflichting.it

LE15024D
Constant voltage LED driver

Fw: 01.03
 t_a 40°C max
 t_c 80°C max

PRI :110...240V~ 50..60Hz 1,12A max
SEC: 24V = 6,25A max @240Vac 1..150W
SEC: 24V = 2,50A max @110Vac 1..60W
Power factor 0,96

CE SELV DALI SEC 24V =

DALI (PUSH) 01/2022 lt. 78

MADE IN ITALY

www.leflichting.it

LE20024D
Constant voltage LED driver

Fw: 01.03
 t_a 40°C max
 t_c 80°C max

PRI :110...240V~ 50..60Hz 1,12A max
SEC: 24V = 8,33A max @240Vac 1..200W
SEC: 24V = 2,91A max @110Vac 1..70W
Power factor 0,96

CE SELV DALI SEC 24V =

DALI (PUSH) 01/2022 lt. 78

MADE IN ITALY

CODICE CODE	Tensione di ingresso Input voltage (Vac)	Frequenza di rete Input frequency (Hz)	Potenza di uscita Output power (W)		Comando Command	Tensione di uscita Output voltage (Vdc)	Corrente di uscita Output current (mA)		PFC (λ)	CC CV	Peso Weight (g)
			@110V	@230V			@110V	@230V			
LE15024D	110-240	50÷60	60	150	PUSH DALI	24	2500	6250	0,96	CV	400
LE20024D			70	200			2910	8330			

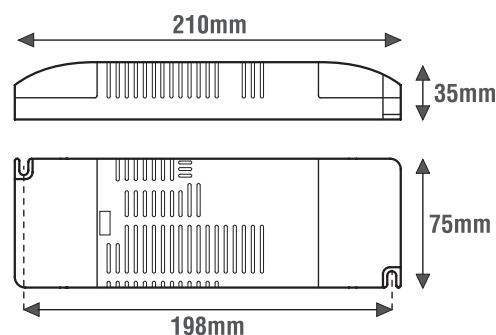
General Characteristics

Plastic case

Driver for independent mounting

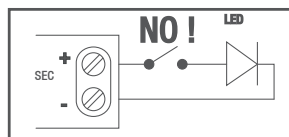
Electric class protection II

Protection degree IP20



N.B.

Power supply not suitable for no-load operation.



ATTENTION:

The installation of the product must be followed by qualified personnel.

If the product is used for purposes other than the original ones or if it is connected incorrectly, LEF Lighting S.R.L. will not accept any responsibility for damages caused.

Reference Standards

EN 55015
EN 61000-3-2
EN 61000-3-3
EN 61347-1
EN 61347-2-13
EN 61547



PRODUCT TO BE DISPOSED DIFFERENTLY FROM URBAN WASTE
AEE identification nr.IT18040000010321

MADE IN ITALY



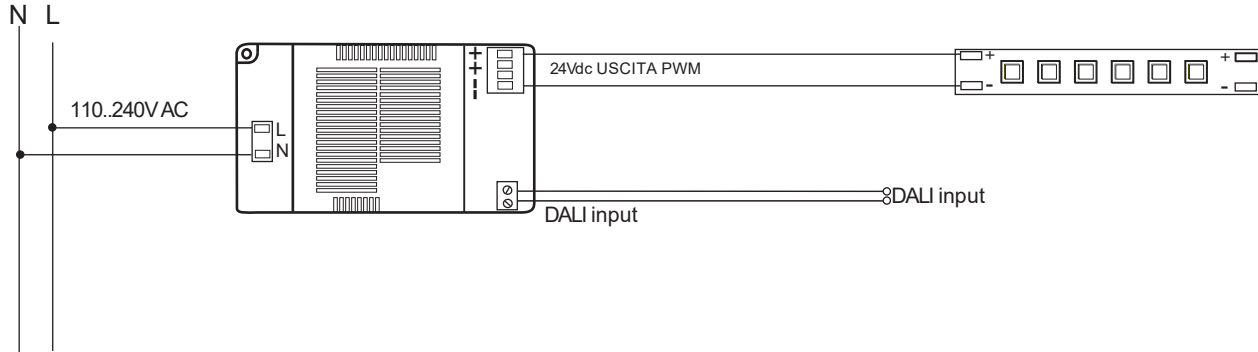
USER GUIDE

LE15024D, LE20024D

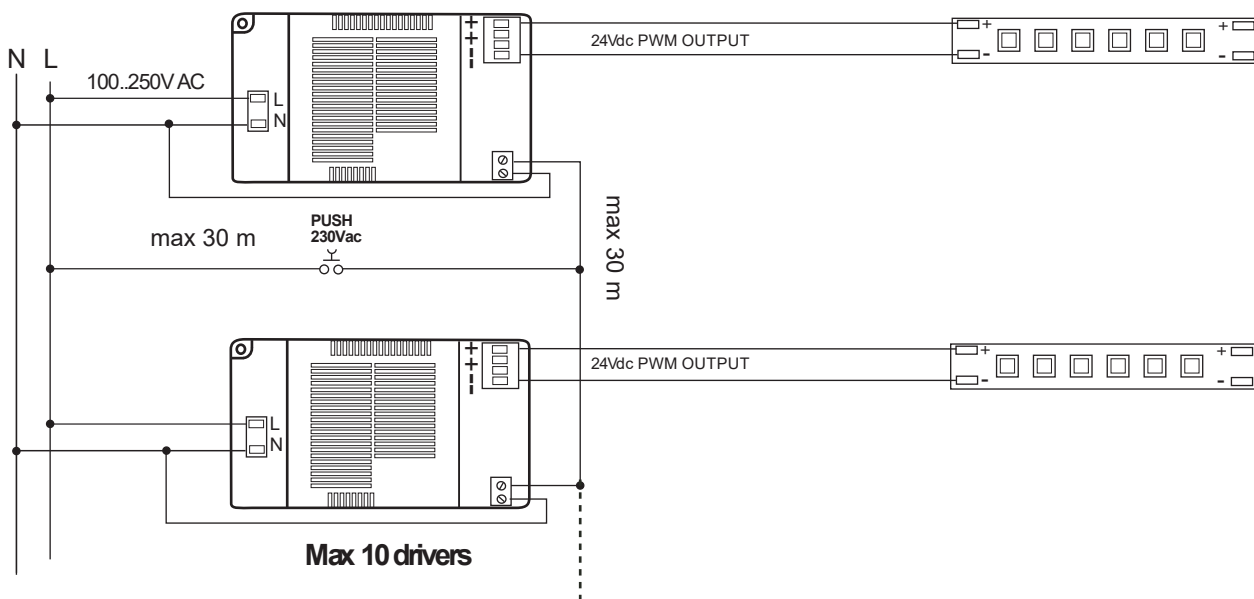


Wiring diagrams

DALI Mode



PUSH 230Vac and SYNCRO by CABLE Mode



Push button control allows ON/OFF through short push and dimming through long pressure.
In case of mains voltage absence or primary switch the driver keeps in memory the last selected level of light (status memory).
N.B. To synchronize multiple power supplies, press and hold the button for 10 seconds.

Warnings:

1. Always pay attention to the polarity of the secondary cable.
2. Put the system far from heat sources and in well aerated places.
3. Minimum distance from LED: 10cm.
4. Thermal protection: if the temperature exceeds the limit values, the driver switches OFF and, after few seconds, it switches ON again.
5. Avoid short circuit on the secondary side and give tension only after all LEDs have been connected
6. Lock the terminals carefully and do not with excessive power.
7. LEDs connection: use a 0,5... 1,5mm² cable for a maximum length of 10m; use a 1,5mm² cable for lengths: 10-30m.
8. Input wiring: use a cable 2 x 0,75 mm² minimum.
9. **HEAVY USE:** the load must be lower than the maximum indicated by 10% to 20% for all kinds of devices.
10. Check the maximum working temperature at tc point.

[AA] Rev. V2.10 24/01/2022