

# USER GUIDE

## LE10MCLD, LE10MCHD

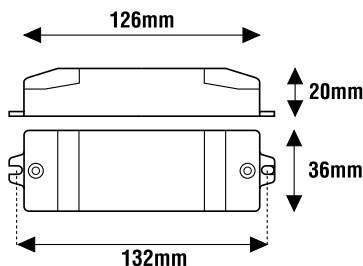
Dimmable constant multicurrent LED driver with push-button and DALI signal



www.lef Lighting.it

### General Characteristics

Plastic case  
Driver for independent mounting  
Electric class protection II  
Protection degree IP20



EE  
82%

CODICE CODE	Tensione di ingresso Input voltage (Vac)	Frequenza di rete Input frequency (Hz)	Potenza di uscita Output power (W)	Comando Command	Tensione di uscita Output voltage (Vdc)	Corrente di uscita Output current (mA)	PFC (λ)	CC CV	Peso Weight (g)
LE10MCLD	220-240	50÷60	8	PUSH DALI	6-40	200	0,90	CC	80
			10			250			
			9,9			300			
			9,8			350			
			10			400			
			9,9			450			
			10			500			
LE10MCHD	220-240	50÷60	8	PUSH DALI	3-16	600	0,90	CC	80
			10		3-15	650			
			9,9		3-14	700			
			9,75		3-13	750			
			9,6		3-12	800			
			9,35		3-11	850			
			9,9			900			

### Technical Features

Input voltage range 220-240Vac

Input frequency 50÷60Hz

**Constant current output 200÷500mA (LE10MCLD)**

**Constant current output 600÷900mA (LE10MCHD)**

(settings by dip-switch)

Factory setting: 200mA (LE10MCLD)

Factory setting: 600mA (LE10MCHD)

**Brightness adjustment through:**

- push-button (PUSH 230Vac)

- DALI signal

«LEVEL MEMORY» and «STATUS MEMORY» function

Possibility of syncro of more drivers together (max 10 SLAVE)

Energy Efficiency (EE) 80% (LE10MCHD)

Energy Efficiency (EE) 82% (LE10MCLD)

Open circuit Protection (OCP)

Overload protection (OLP)

Protection against overtemperature (OTP)

Short circuit protection (SCP)

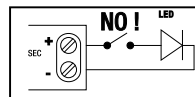
Power factor correction (PFC) λ ≥ 0,92

Operating ambient temperature Ta -25°C ÷ +40°C

Max case temperature on Tc 75°C

### Reference Standards

EN 55015  
EN 61000-3-2  
EN 61347-1  
EN 61347-2-13  
EN 61547  
EN 62384  
EN 62386-207



### N.B.

Device not suitable for no-load operation.

### ATTENTION:

The installation of the product must be followed by qualified personnel.

If the product is used for purposes other than the original ones or if it is connected incorrectly, LEF Lighting S.R.L. will not accept any responsibility for damages caused.

MADE IN ITALY



PRODUCT TO BE DISPOSED DIFFERENTLY FROM URBAN WASTE  
AEE identification nr.IT1804000010321



# USER GUIDE

## LE10MCLD, LE10MCHD

Dimmable constant multicurrent LED driver with push-button and DALI signal



Electronic drivers for LEDs, multi-multicurrent with active PFC. Suitable for power current powered LEDs. Light regulation via **DALI** and **PUSH button** function. The function mode is selected by means of the DIP SWITCH, which is below the terminal cover:

OUTPUT DIP-SWITCH				
SEC (mA)	1	2	3	4
200	-	-	-	-
250	-	-	-	ON
300	-	ON	-	-
350	ON	-	-	-
400	ON	-	ON	-
450	ON	ON	-	-
500	ON	ON	ON	-

LE10MCLD

OUTPUT DIP-SWITCH				
SEC (mA)	1	2	3	4
600	-	-	-	-
650	-	-	-	ON
700	-	ON	-	-
750	ON	-	-	-
800	ON	-	ON	-
850	ON	ON	-	-
900	ON	ON	ON	-

LE10MCHD

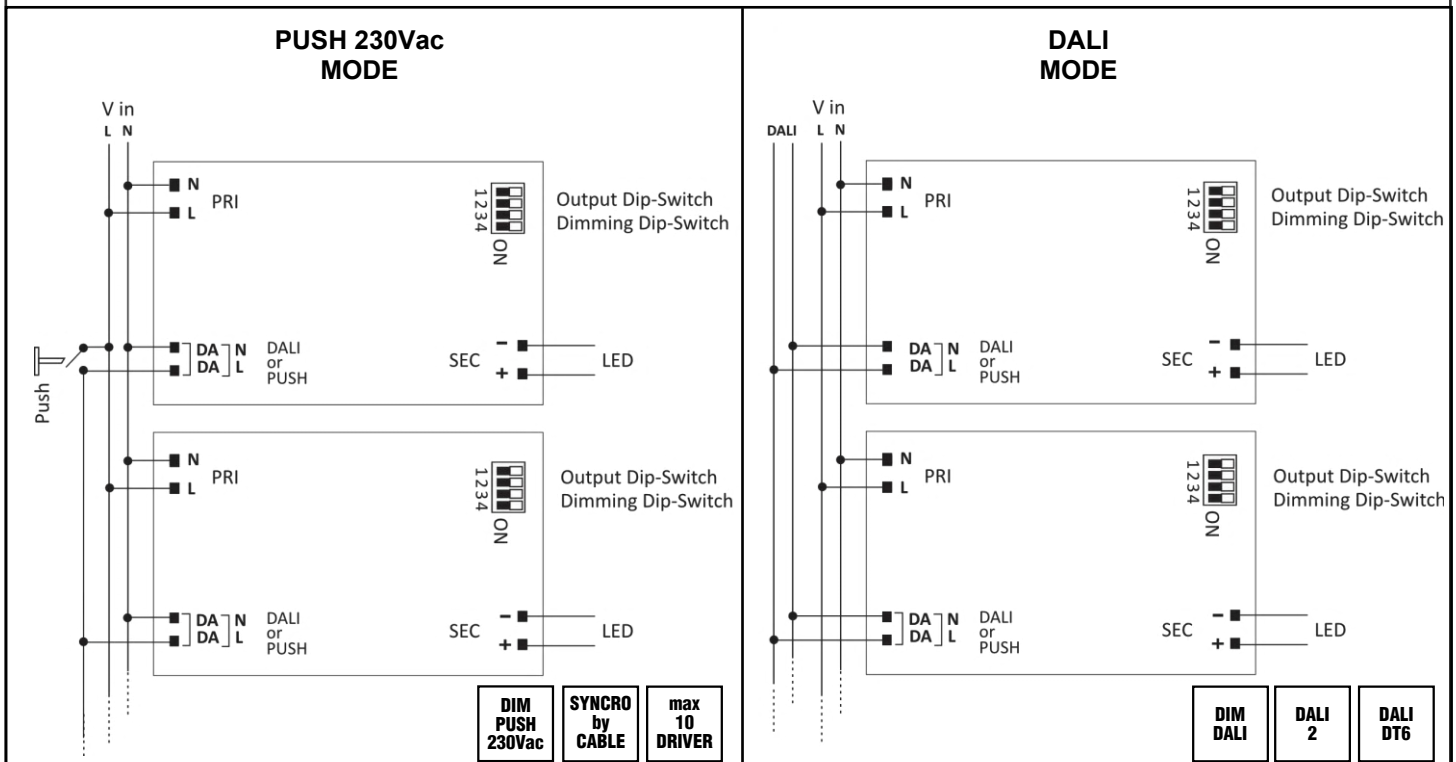


### Input

- Terminal block 0,5...1,5 mm<sup>2</sup> (also DALI)
- Strain relief suitable for cable H03WH2-F 2x0,75mm<sup>2</sup> and H05W-F 2x0,75mm<sup>2</sup>
- Max Input Current: 58mA

### Output

- Terminal block 0,5...1,5 mm<sup>2</sup>
- Strain relief suitable for cable H03VVH2-F 2x0,75mm<sup>2</sup>



There are two distinct modes of operation read at start-up (settings must be made via dip-switches before switching on):

### PUSH MODE (Setting via DIP-SWITCH)

- Short press the push button for ON/OFF (on and off ramps)
- Long press the push button for dimmer.
- Memory of the last data dimming. At each ON the driver starts from the last data set.
- **Alignment procedure** (necessary to compensate for errors of synchronization when there are many drivers in parallel): from position OFF / ON keep the key pressed for a long time (30sec) the drivers will be 100%; the next time the key is pressed, the luminous flux will start to decrease according to the set profile.
- Total length of PUSH cables: 15 m.
- Maximum driver recommended: 10.

### DALI MODE (Setting via DIP-SWITCH)

- DALI interface: maximum absorbed current 2mA in reception and at least 250mA in transmission.

**LE10MCLD**  
 DALI/PUSH DIMMABLE LED POWER SUPPLY - HYBRID  
 PRI 220-240Vac - 0/50/60Hz  
 47-58 mA max 12,4W  
 $\lambda$  0,90C-0,92C  
 SEC 200-500mA max. 10W  
 6-40Vdc U-OUT = 45Vdc  
 DALI2 DT6  
 EL SELV  
 ta -25+45°C tc 75°C  
 ON=Push, OFF=DALI  

SEC	1	2	3	4
200mA	ON	ON	ON	ON
250mA	ON	ON	ON	ON
300mA	ON	ON	ON	ON
350mA	ON	ON	ON	ON
400mA	ON	ON	ON	ON
450mA	ON	ON	ON	ON
500mA	ON	ON	ON	ON

 LED OUT OUTPUT/DIMM SET

**LE10MCHD**  
 DALI/PUSH DIMMABLE LED POWER SUPPLY - HYBRID  
 PRI 220-240Vac - 0/50/60Hz  
 58-63 mA max 13W  
 $\lambda$  0,90C-0,93C  
 SEC 600-900mA max. 10W  
 3-16Vdc U-OUT = 23Vdc  
 DALI2 DT6  
 EL SELV  
 ta -25+40°C tc 80°C  
 ON=Push, OFF=DALI  

SEC	1	2	3	4
600mA	ON	ON	ON	ON
700mA	ON	ON	ON	ON
750mA	ON	ON	ON	ON
800mA	ON	ON	ON	ON
850mA	ON	ON	ON	ON
900mA	ON	ON	ON	ON

 LED OUT OUTPUT/DIMM SET