

USER GUIDE

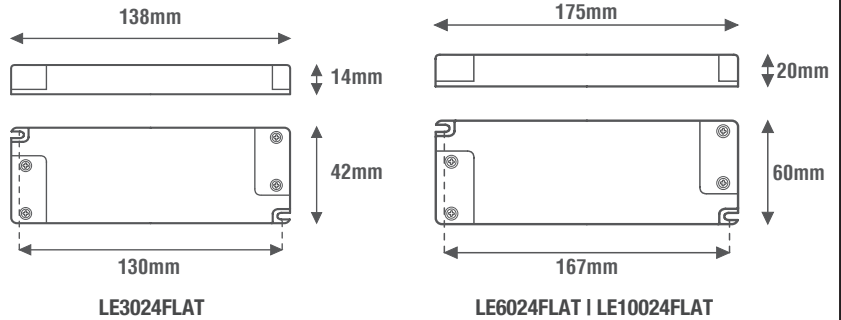
Code: LE3024FLAT, LE6024FLAT, LE10024FLAT



CONSTANT VOLTAGE LED DRIVERS

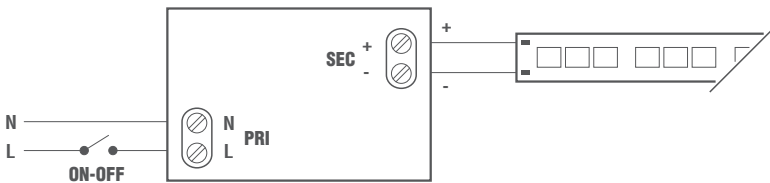
General Characteristics

Plastic case with thickness reduced (FLAT)
Driver for independent mounting
Electric class protection II
Protection degree IP20



CODICE CODE	Tensione di ingresso Input voltage (Vac)	Frequenza di rete Input frequency (Hz)	Potenza di uscita Output power (W)	Comando Command	Tensione di uscita Output voltage (Vdc)	Corrente di uscita Output current (mA)	PFC (λ)	CC CV	Peso Weight (g)
LE3024FLAT	220-240	50÷60	30	ON-OFF	24	1250	0,50	CV	90
LE6024FLAT			60			2500			200
LE10024FLAT			100			4160	230		

Wiring diagram



Technical Feature

- Input voltage range 220-240Vac
- Input frequency 50÷60Hz
- Constant voltage output 24Vdc**
- Overload protection (OLP)
- Protection against overtemperature (OTP)
- Short circuit protection (SCP)
- Power factor correction (PFC):
 - $\lambda \geq 0,50$ (LE3024FLAT)
 - $\lambda \geq 0,90$
- Operating ambient temperature Ta:
 - -20°C ÷ +50°C (LE3024FLAT)
 - -20°C ÷ +45°C
- Max case temperature on Tc:
 - 80°C (LE3024FLAT)
 - 85°C (LE6024FLAT)
 - 90°C (LE10024FLAT)

LEF LED DRIVER
www.lef-lighting.it

MODEL: LE3024FLAT
INPUT: 220-240V~50/60Hz $\lambda > 0,50$
OUTPUT: 24Vdc Max. 1,25A Max.30W
ta: 50°C tc: Max.80°C

EMC tested

SELV RoHS

MADE IN P.R.C.

LEF LED DRIVER
www.lef-lighting.it

MODEL: LE6024FLAT
INPUT: 220-240V~50/60Hz $\lambda > 0,9$
OUTPUT: 24Vdc Max 2,5A Max 60W
ta: 45°C tc: 85°C

EMC tested

SELV RoHS

MADE IN P.R.C.

LEF LED DRIVER
www.lef-lighting.it

MODEL: LE10024FLAT
INPUT: 220-240V~50/60Hz 0,55A max $\lambda > 0,9$
OUTPUT: 24Vdc Max 4,16A Max 100W
ta: 45°C tc: 90°C

EMC tested

SELV RoHS

MADE IN P.R.C.

Attention:
The installation of the product must be followed by qualified personnel.

If the product is used for purposes other than the original ones or if it is connected incorrectly, LEF Lighting S.R.L. will not accept any responsibility for damages caused.

Reference standards

- EN 55015
- EN 61000-3-2
- EN 61000-3-3
- EN 61347-1
- EN 61347-2-13
- EN 61547

MADE IN P.R.C.



PRODUCT TO BE DISPOSED DIFFERENTLY FROM URBAN WASTE
AEE identification nr.IT18040000010321



LEF LIGHTING S.R.L. | www.lef-lighting.it

Via Rodolfo Morandi, 9/11 - 50019 Sesto Fiorentino (FI) - ITALY | Tel +39 055 421 77 27 - Fax +39 055 425 44 92