

USER GUIDE

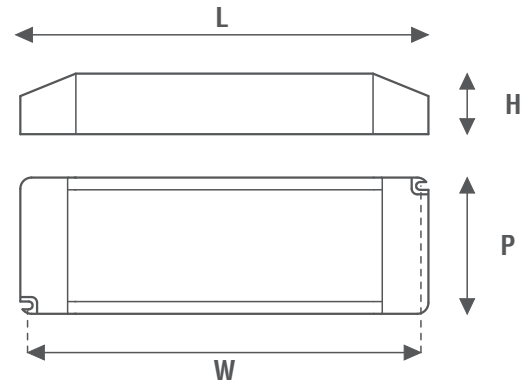
Code: LE3024E, LE6024E, LE7524E,
LE10024E LE15024E, LE20024E



COSTANT VOLTAGE LED DRIVER

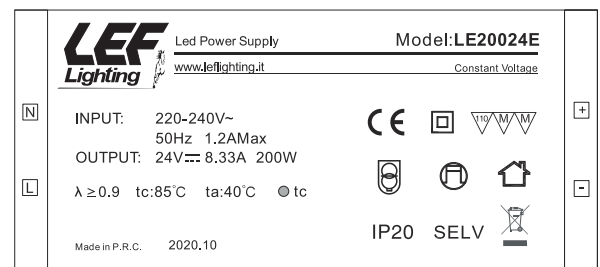
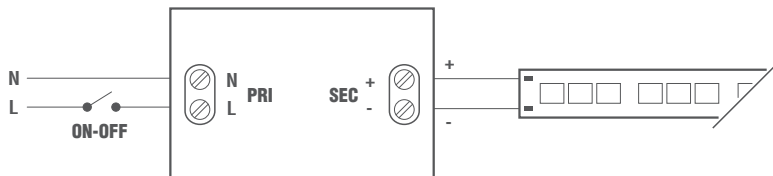
General Characteristics

Plastic case
Driver for independent mounting
Electric class protection II
Protection degree IP20



CODICE CODE	Tensione di ingresso Input voltage (Vac)	Frequenza di rete Input frequency (Hz)	Potenza di uscita Output power (W)	Tensione di uscita Output voltage (Vdc)	Corrente di uscita Output current (mA)	PFC (λ)	CC CV	Dimensioni Dimensions (mm)				Peso Weight (g)
								L	P	H	W	
LE3024E	220-240	50÷60	30	24	1250	0,90	CV	147	48	24	138	120
LE6024E			60		2500			185	64	22	176	190
LE7524E			75		3125			170	57	32	161	230
LE10024E			100		4160			180	66	32	171	310
LE15024E			150		6250			205	71	35	196	530
LE20024E			200		8330			205	71	35	196	660

Wiring diagram



Technical Features

Input voltage range 220-240Vac
Input frequency 50÷60Hz
Constant voltage output 24Vdc
Open circuit protection (OCP)
Overload protection (OLP)
Short circuit protection (SCP)
Protection against overtemperature (OTP)
Power factor correction (PFC) $\lambda \geq 0,9$
Operating ambient temperature $T_a -20^\circ\text{C} \div +40^\circ\text{C}$
Max case temperature on $T_c 85^\circ\text{C}$

Attention:

The installation of the product must be followed by qualified personnel.

If the product is used for purposes other than the original ones or if it is connected incorrectly, LEF Lighting S.R.L. will not accept any responsibility for damages caused.

Reference Standards

EN 55015
EN 61000-3-2
EN 61000-3-3
EN 61347-1
EN 61347-2-13
EN 61547
EN 62493

MADE IN P.R.C.



PRODUCT TO BE DISPOSED DIFFERENTLY
FROM URBAN WASTE
AEE identification nr. IT18040000010321



LEF LIGHTING S.R.L. | www.lef-lighting.it

Via Rodolfo Morandi, 9/11 - 50019 Sesto Fiorentino (FI) - ITALY | Tel +39 055 421 77 27 - Fax +39 055 425 44 92