

# USER GUIDE

2023 Version

# LE7524DP, LE10024DP, LE15024DP

Dimmable constant voltage LED drivers



## General Characteristics

Plastic case  
Driver for independent mounting  
Electric class protection II  
Protection degree IP20

1	2	Mode
OFF	OFF	DALI / PUSH 230 Vac
OFF	ON	PUSH 24 Vdc
ON	OFF	0_10V
ON	ON	1_10V

Mode



ON →



www.leflighting.it

**LEF LE7524DP**  
Constant Voltage LED Driver  
www.leflighting.it

PRI: 110 - 240 Vac 50/60 Hz 0,7 A max  
SEC: 24 Vdc 3,12 A max @ 240 Vac 10 - 75 W ta 40 °C max  
SEC: 24 Vdc 2,50 A max @ 110 Vac 10 - 60 W tc 70 °C max  
P.F. 0,98 Made in Italy

47K / 0-1-10V

**LEF LE10024DP**  
Constant Voltage LED Driver  
www.leflighting.it

PRI: 110 - 240 Vac 50/60 Hz 0,7 A max  
SEC: 24 Vdc 4,16 A max @ 240 Vac 10 - 100 W ta 40 °C max  
SEC: 24 Vdc 2,50 A max @ 110 Vac 10 - 60 W tc 70 °C max  
P.F. 0,98 Made in Italy

47K / 0-1-10V

**LEF LE15024DP**  
Constant Voltage LED Driver  
www.leflighting.it

PRI: 110 - 240 Vac 50/60 Hz 0,8 A max  
SEC: 24 Vdc 6,26 A max @ 240 Vac 10 - 150 W ta 40 °C max  
SEC: 24 Vdc 2,50 A max @ 110 Vac 10 - 60 W tc 80 °C max  
P.F. 0,98 Made in Italy

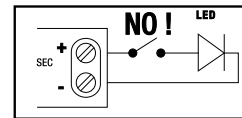
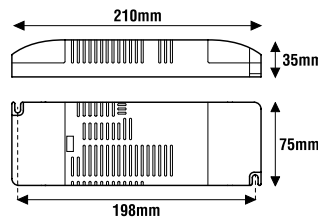
47K / 0-1-10V

CODICE CODE	Tensione di ingresso Input voltage (Vac)	Frequenza di rete Input frequency (Hz)	Potenza di uscita Output power (W)		Comando Command	Tensione di uscita Output voltage (Vdc)	Corrente di uscita Output current (mA)		PFC (λ)	CC CV	Peso Weight (g)
			@110V	@230V			@110V	@230V			
LE7524DP	110-240	50÷60		75	PUSH   DALI 1-10V   POT47kΩ	24	2500	3120	0,98	CV	280
LE10024DP			60	100			2500	4160			330
LE15024DP				150				6250			380

## Technical Features

DIP SWITCH  
 SYNCRO by CABLE  
 DIM POT 47KΩ  
 DIM 1-10V  
 DIM 0-10V  
 DIM DALI  
 DALI 2  
 DALI DT6  
 DIM PUSH 24Vdc  
 DIM PUSH 230Vac  
 MAX 10 SLAVE  
 EE 93%

Input voltage range 110-240Vac  
Input frequency 50÷60Hz  
Constant voltage output 24Vdc  
Output Power 10W@230Vac (10W@110Vac)  
Brightness adjustment through:  
- push-button (PUSH 230Vac)  
- push-button (PUSH 24Vdc)  
- DALI signal  
- 0-10V signal  
- 1-10V signal  
- 47Kohm potentiometer  
(setting by dip-switch)



**N.B.**  
Device not suitable for  
no-load operation.

### ATTENTION:

The installation of the product must be followed by qualified personnel.  
If the product is used for purposes other than the original ones or if it is connected incorrectly, LEF Lighting S.R.L. will not accept any responsibility for damages caused.

### Reference Standards

- EN 55015
- EN 61000-3-2
- EN 61000-3-3
- EN 61347-1
- EN 61347-2-13
- EN 61547

MADE IN ITALY



PRODUCT TO BE DISPOSED DIFFERENTLY FROM URBAN WASTE  
AEE identification nr.IT18040000010321

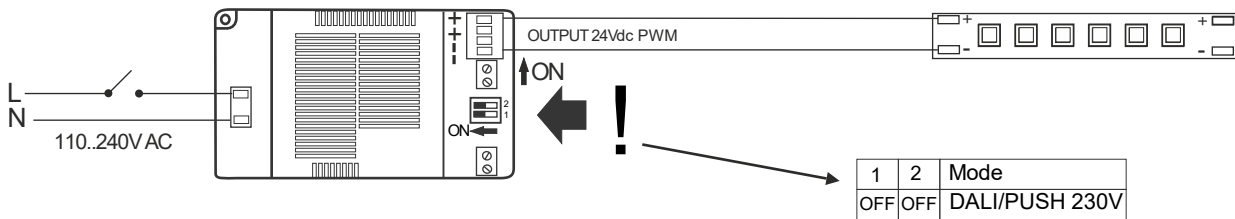
LEF LIGHTING S.R.L. | www.leflighting.it

Viale L. Ariosto 478 - 50019 Sesto Fiorentino (FI) - ITALY | Tel +39 055 421 77 27 - Fax +39 055 425 44 92

### CONNECTION OF A SINGLE POWER SUPPLY

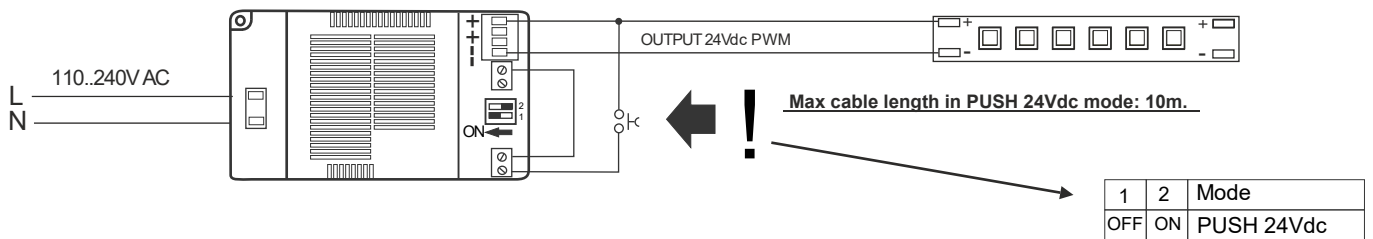
#### ON/OFF Mode

1



#### PUSH 24Vdc Mode

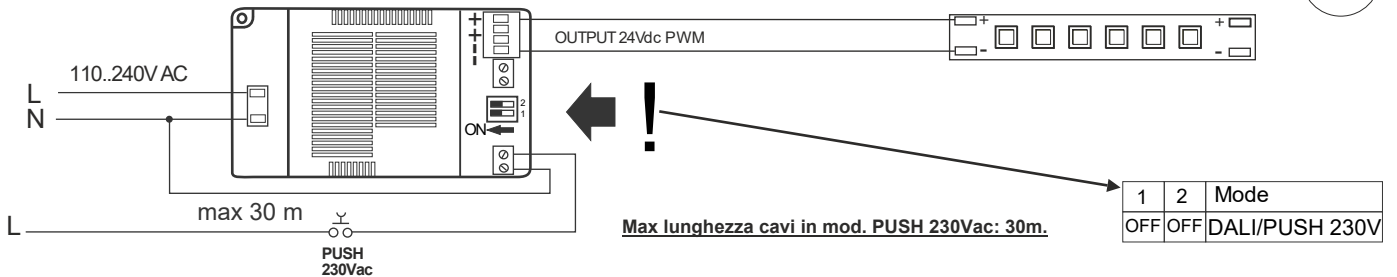
2



**Push-button setting:** Remove power in order to to change Dip-Switch setting. Set the Dip-Switch configuration as in the table on the right.

#### PUSH 230Vac Mode

3



**Factory setting:** DALI input active

**Button input setting:** When the PUSH-BUTTON is pressed for the first time, the product remains set into PUSH-BUTTON mode (PUSH 230Vac)

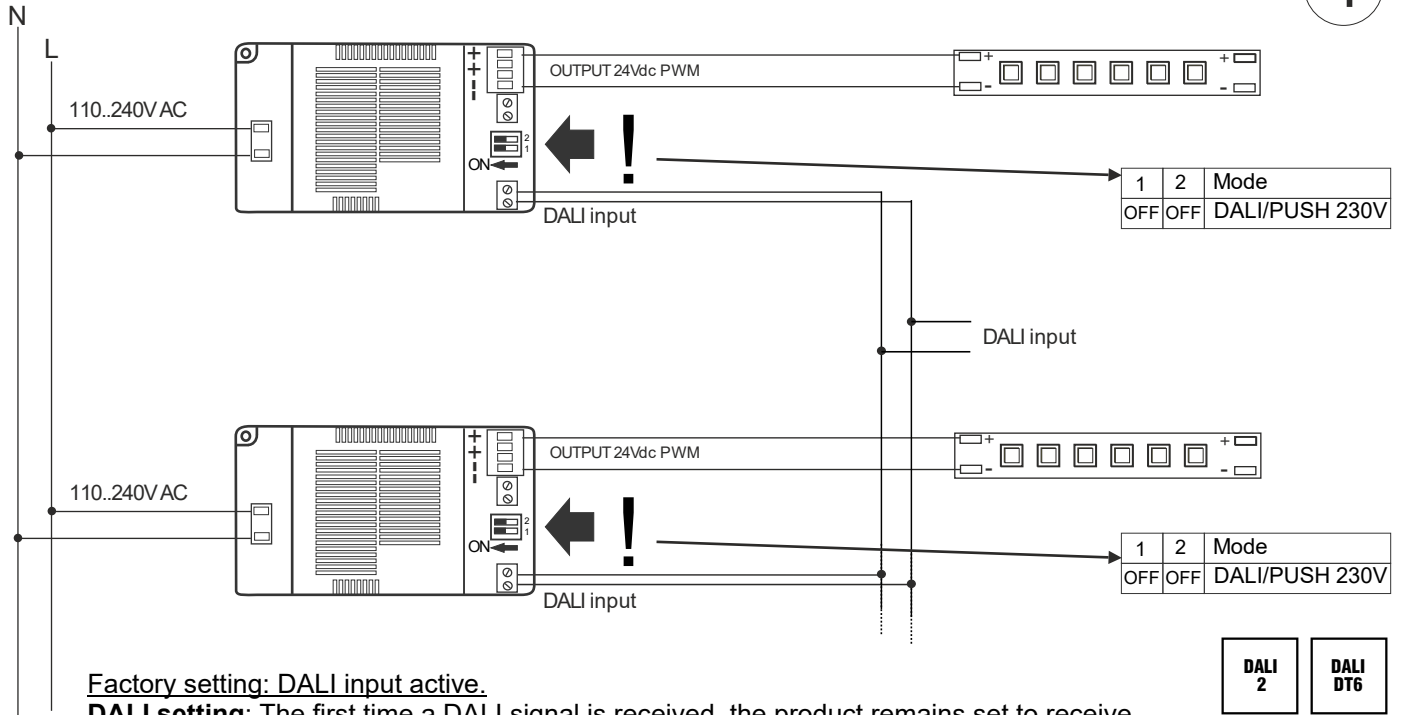
#### Warnings:

1. Always pay attention to the polarity of the secondary cable.
2. Put the system far away from heat sources and in well aerated places.
3. Minimum distance from LED: 10cm.
4. Thermal protection: if the temperature exceeds the limit values, the driver switches OFF and, after few seconds, it switches ON again.
5. Avoid short circuit on the secondary side and give tension only after all LEDs have been connected
6. Lock the terminals carefully and do not with excessive power.
7. LEDs connection: use a 0,5... 1,5mmq cable for a maximum length of 10m; use a 2,5mmq cable for lengths: 10-30m.
8. Input wiring: use a cable 2 x0,75 mmq minimum.
9. **HEAVY USE:** the load must be lower than the maximum indicated by 10% to 20% for all kinds of devices.
10. Check the maximum working temperature at Tc point.

**SYNCHRONIZATION OF MULTIPLE POWER SUPPLIES**

4

**DALI Mode**

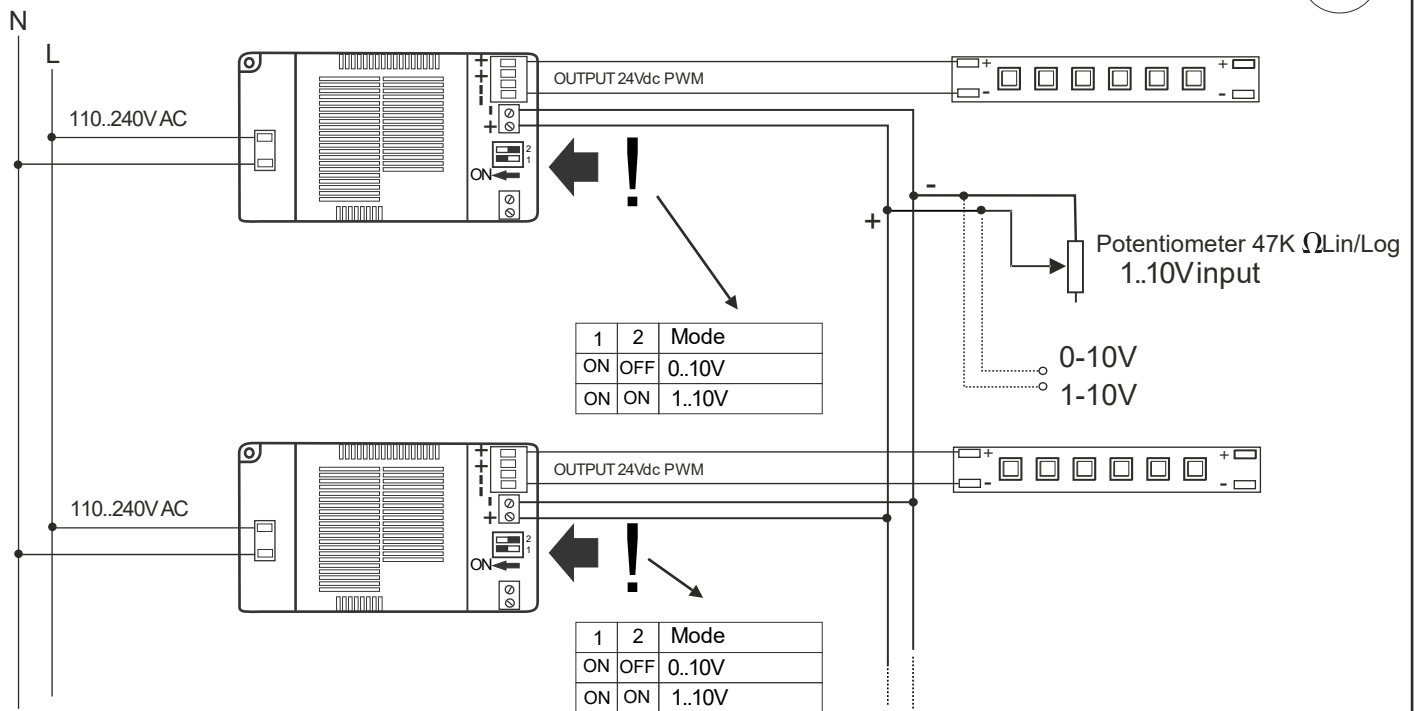


**Factory setting:** DALI input active.

**DALI setting:** The first time a DALI signal is received, the product remains set to receive DALI signals.

5

**0-10V / 1-10V Mode**



**0-10V and 1-10V setting:** Remove power in order to change Dip-Switch setting. Set the Dip-Switch configuration as in the above present table.

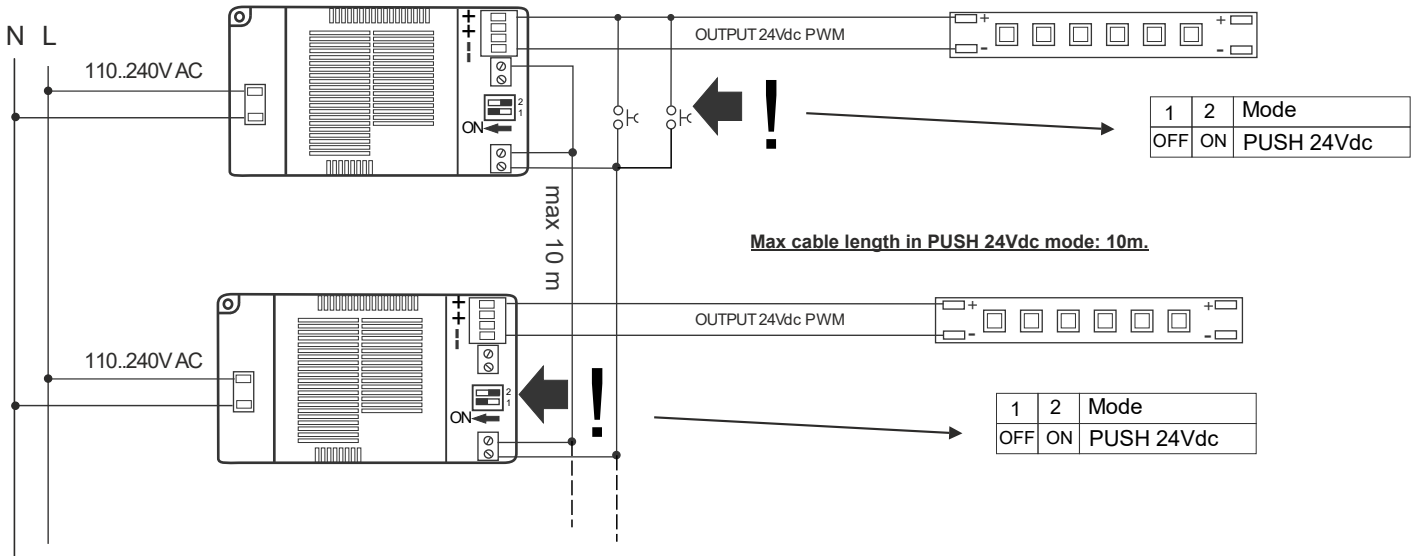
## LE7524DP, LE10024DP, LE15024DP

Dimmable constant voltage LED drivers

### SYNCHRONIZATION OF MULTIPLE POWER SUPPLIES

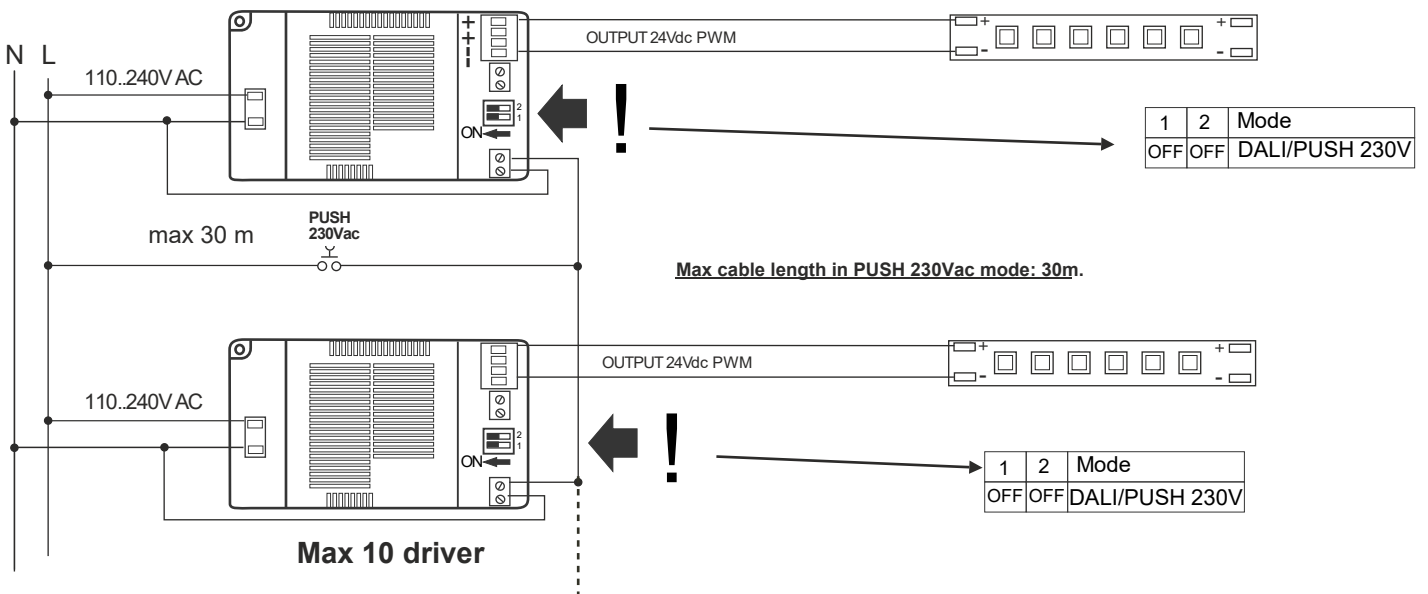
6

#### PUSH 24Vdc and SYNCHRO by CABLE Mode



7

#### PUSH 230Vac and SYNCHRO by CABLE Mode



Factory setting: DALI input active

**Button input setting:** When the PUSH-BUTTON is pressed for the first time, the product remains set into PUSH-BUTTON mode (PUSH 230Vac)

**N.B.**

If the power supplies lose synchronization, press the button > 10sec continuously and the power supplies will re-synchronize.