

USER GUIDE

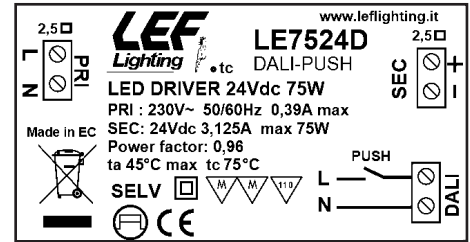
LE6024D, LE7524D, LE10024D

DIMMABLE CONSTANT VOLTAGE LED DRIVERS



Technical Features

- Input voltage range 220-240Vac
- Input frequency 50÷60Hz
- Constant voltage output 24Vdc
- Brightness adjustment through:
 - push-button (PUSH 230Vac)
 - DALI signal
- «LEVEL MEMORY» and «STATUS MEMORY» function
- Synchronization of multiple power supplies via cable (max 10 SLAVE) only in push button operation
- Open circuit protection (OCP)
- Protection against overtemperature (OTP)
- Short circuit protection (SCP)
- Power factor correction (PFC) $\lambda \geq 0,96$
- Operating ambient temperature $T_a -10^{\circ}\text{C} \div +45^{\circ}\text{C}$
- Operating ambient temperature $T_a -10^{\circ}\text{C} \div +40^{\circ}\text{C}$ (LE6024D)
- Max case temperature on $T_c 85^{\circ}\text{C}$ (LE10024D)
- Max case temperature on $T_c 80^{\circ}\text{C}$ (LE6024D)
- Max case temperature on $T_c 75^{\circ}\text{C}$ (LE7524D)



CODICE CODE	Tensione di ingresso Input voltage (Vac)	Frequenza di rete Input frequency (Hz)	Potenza di uscita Output power (W)	Comando Command	Tensione di uscita Output voltage (Vdc)	Corrente di uscita Output current (mA)	PFC (λ)	CC CV	Peso Weight (g)
LE6024D	220-240	50÷60	60	PUSH DALI	24	2500	0,96	CV	175
LE7524D			75			3125			215
LE10024D			100			4160			215

General Characteristics

- Plastic case
- Driver for independent mounting
- Electric class protection II
- Protection degree IP20

Reference standards

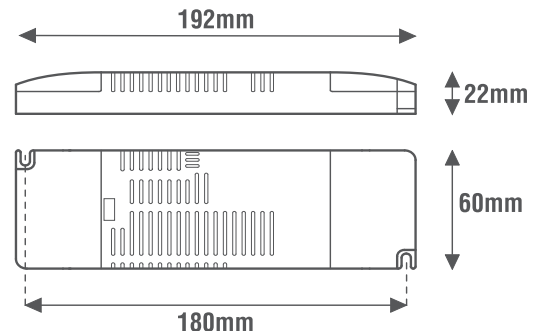
- EN 55015
- EN 61000-3-2
- EN 61000-3-3
- EN 61347-1
- EN 61347-2-13
- EN 61547



ATTENTION:

The installation of the product must be followed by qualified personnel.

If the product is used for purposes other than the original ones or if it is connected incorrectly, LEF Lighting S.R.L. will not accept any responsibility for damages caused.



PRODUCT TO BE DISPOSED DIFFERENTLY FROM URBAN WASTE

AEE identification nr.IT18040000010321



MADE IN ITALY

LEF LIGHTING S.R.L. | www.leflighting.it

Via Rodolfo Morandi, 9/11 - 50019 Sesto Fiorentino (FI) - ITALY | Tel +39 0554217727 - Fax +39 0554217719

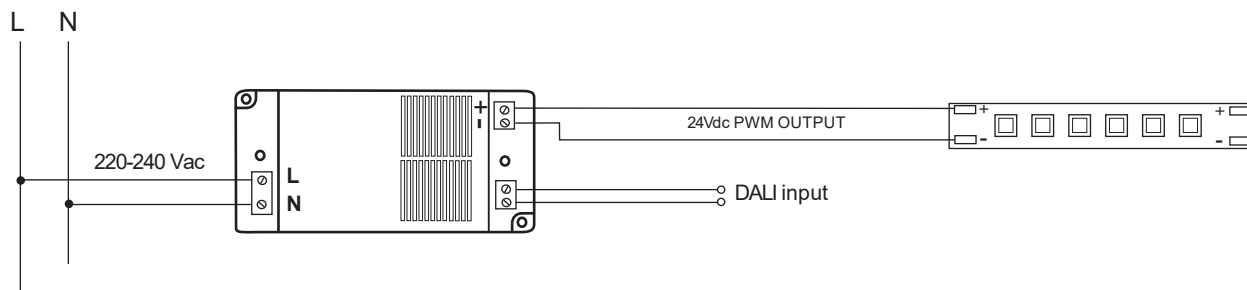
USER GUIDE

LE6024D, LE7524D, LE10024D

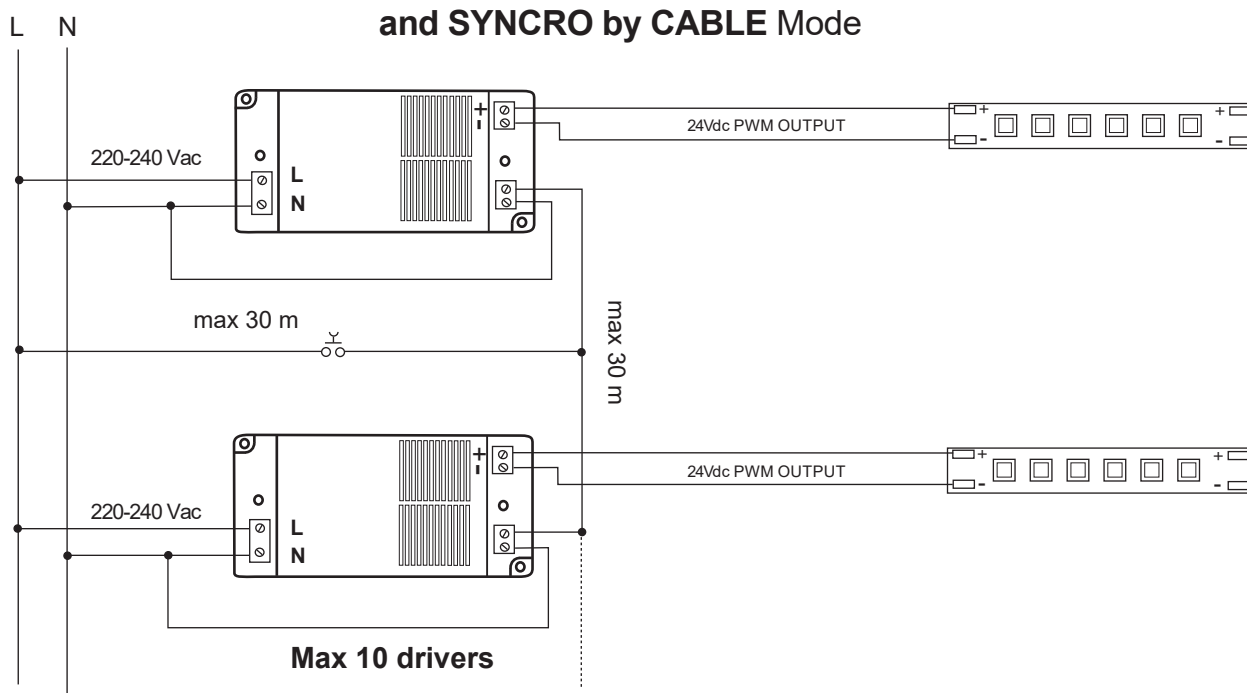
WIRING DIAGRAMS



DALI Mode



PUSH 230Vac and SYNCRO by CABLE Mode



Push button control allows ON/OFF through short push and dimming through long pressure.

In case of mains voltage absence or primary switch the driver keeps in memory the last selected level of light (status memory).

N.B. To synchronize multiple power supplies, press and hold the button for 10 seconds.

Warnings:

1. Always pay attention to the polarity of the secondary cable.
2. Put the system far from heat sources and in well aerated places.
3. Minimum distance from LED: 10cm.
4. Thermal protection: if the temperature exceeds the limit values, the driver switches OFF and, after few seconds, it switches ON again.
5. Avoid short circuit on the secondary side and give tension only after all LEDs have been connected.
6. Lock the terminals carefully and do not with excessive power.
7. LEDs connection: use a 1,5mmq cable for a maximum length of 10m; use a 2,5mmq cable for lengths: 10-30m.
8. Input wiring: use a cable 2 x 0,75 mmq minimum.
9. **HEAVY USE:** the load must be lower than the maximum indicated by 10% to 20% for all kinds of devices.
10. Check the maximum working temperature at tc point.