

USER GUIDE

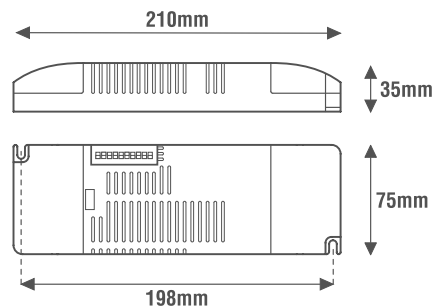
Code: LE10024CCTP1, LE10024CCTP2

Constant voltage LED drivers

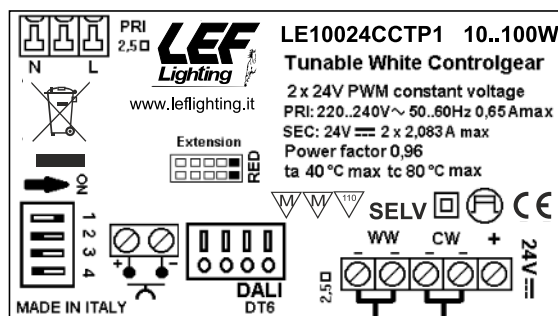
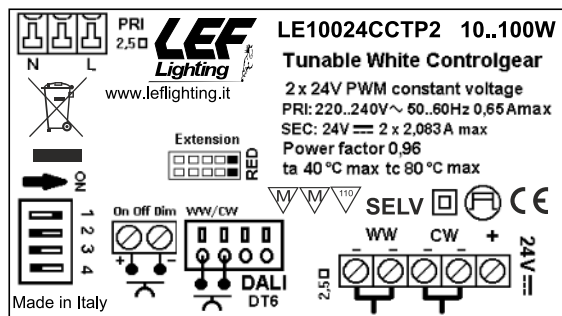


General Characteristics

Plastic case
Driver for independent mounting
Electric class protection II
Protection degree IP20



CODICE CODE	Tensione di ingresso Input voltage (Vac)	Frequenza di rete Input frequency (Hz)	Potenza di uscita Output power (W)	Comando Command	Tensione di uscita Output voltage (Vdc)	Corrente di uscita Output current (mA)	PFC (λ)	CC CV	Peso Weight (g)
LE10024CCTP1	220-240	50÷60	2 x 50	PUSH (1 pulsante/push-button) DALI	24	2 x 2080	0,96	CV	360
LE10024CCTP2				PUSH (2 pulsanti/push-buttons) DALI					



Technical Features

Input voltage range 220-240Vac

Input frequency 50÷60Hz

Constant voltage output 24Vdc

2 channels power supply for Tunable White control

It commands two channel LED strips for warm and cold light

Brightness and color adjustment through:

- 1 push-button version (LE10024CCTP1)

(control, adjustment and color change with a single push-button)

- 2 push-button version (LE10024CCTP2) (command and adjustment

with a push-button and color change with the second push-button)

-DALI singal (setting by dip-switch)

Sinchronization of multiple power supplies via cable (included) (max 6 SLAVE)

Power factor correction (PFC) λ ≥ 0,96

Reference standards

EN 55015
EN 61000-3-2
EN 61000-3-3
EN 61347-1
EN 61347-2-13
EN 61547
EN 62386

MADE IN ITALY



PRODUCT TO BE DISPOSED DIFFERENTLY FROM URBAN WASTE

AEE identification nr.IT18040000010321



LEF LIGHTING S.R.L. www.lef-lighting.it

Via Rodolfo Morandi, 9/11 - 50019 Sesto Fiorentino (FI) - ITALY | Tel +39 055 421 77 27 - Fax +39 055 425 44 92

USER GUIDE

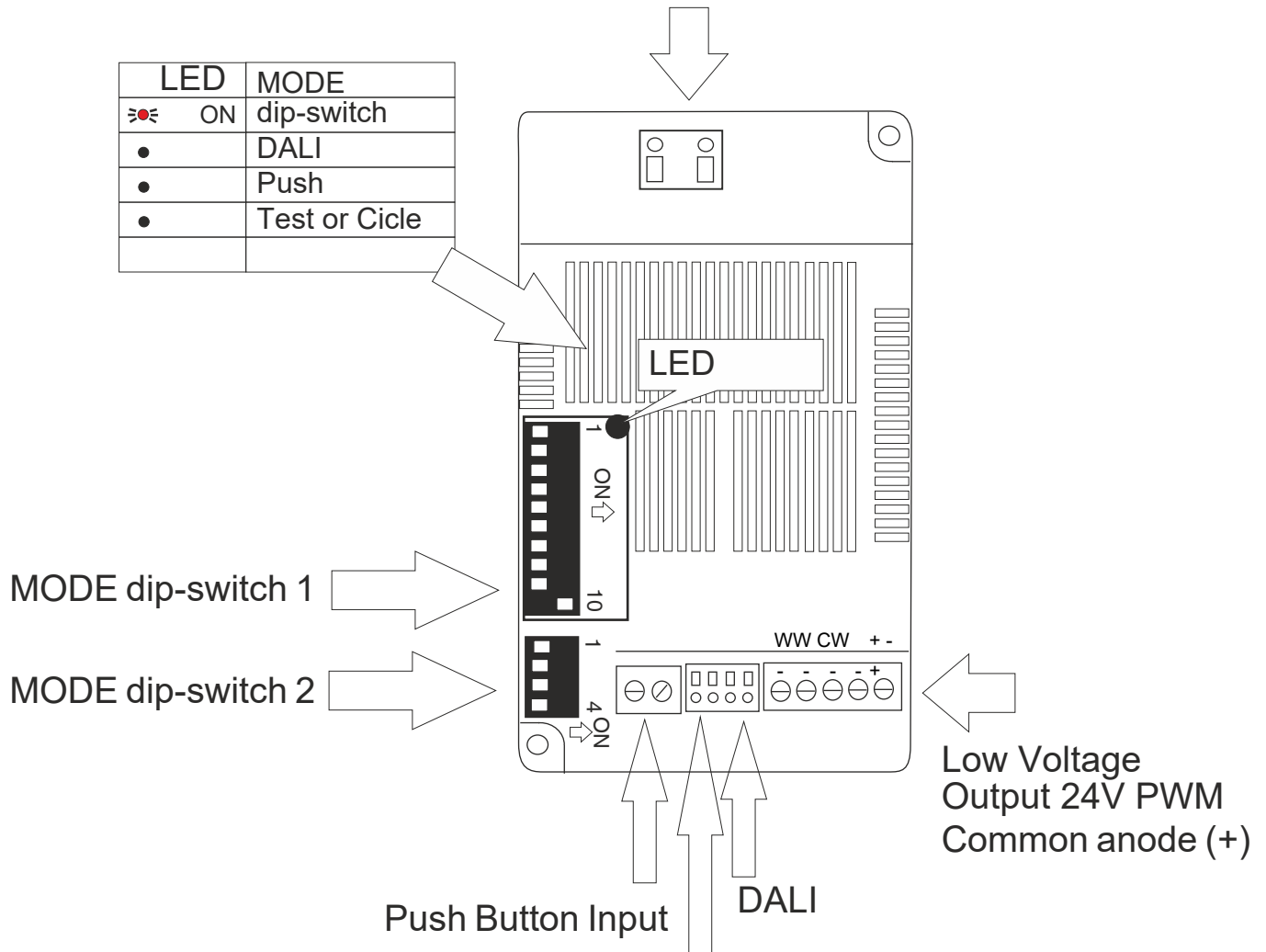
Code: LE10024CCTP1, LE10024CCTP2

Constant voltage LED drivers



AC Input 220..240V

LED	MODE
	dip-switch
	DALI
	Push
	Test or Cicle



Push Button Tunable White (only LE10024CCTP2)

		9	10	MODE dip-switch 1
			ON	DALI
		ON		Push

1	2	3	4	MODE selector 2
OFF	OFF	OFF	-	DALI
OFF	ON	OFF	-	Push Linear Scale
ON	ON	OFF	-	Test or Cicle
ON	ON	ON	-	Slave

Control input: select input mode by dip-switch. Switch off and on the device after every change

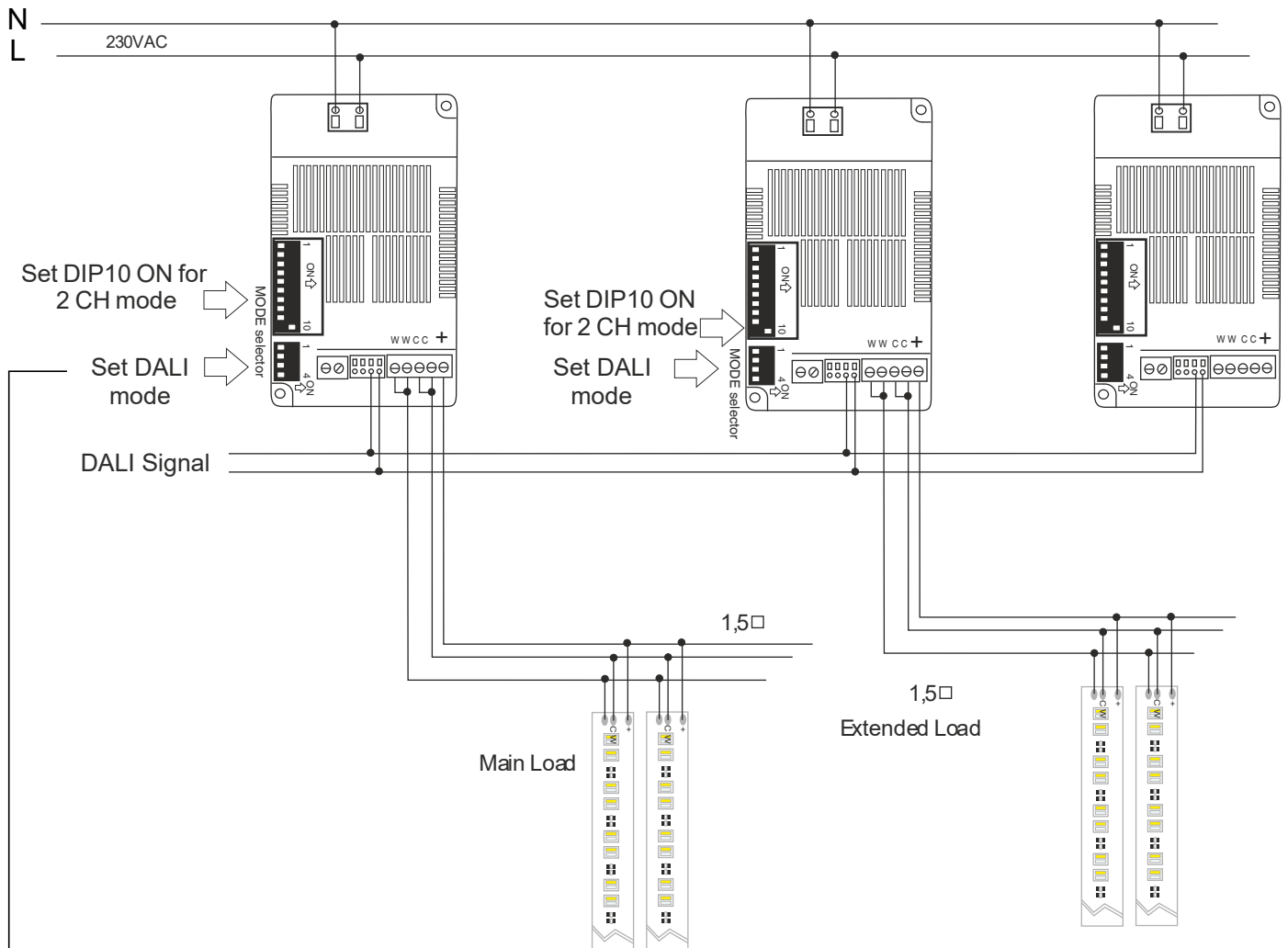
USER GUIDE

Code: LE10024CCTP1, LE10024CCTP2

Constant voltage LED drivers



DALI MODE



1	2	3	4	MODE dip-switch
OFF	OFF	OFF	-	DALI

Control input: select input mode by dip-switches. Switch off and on the device after every change

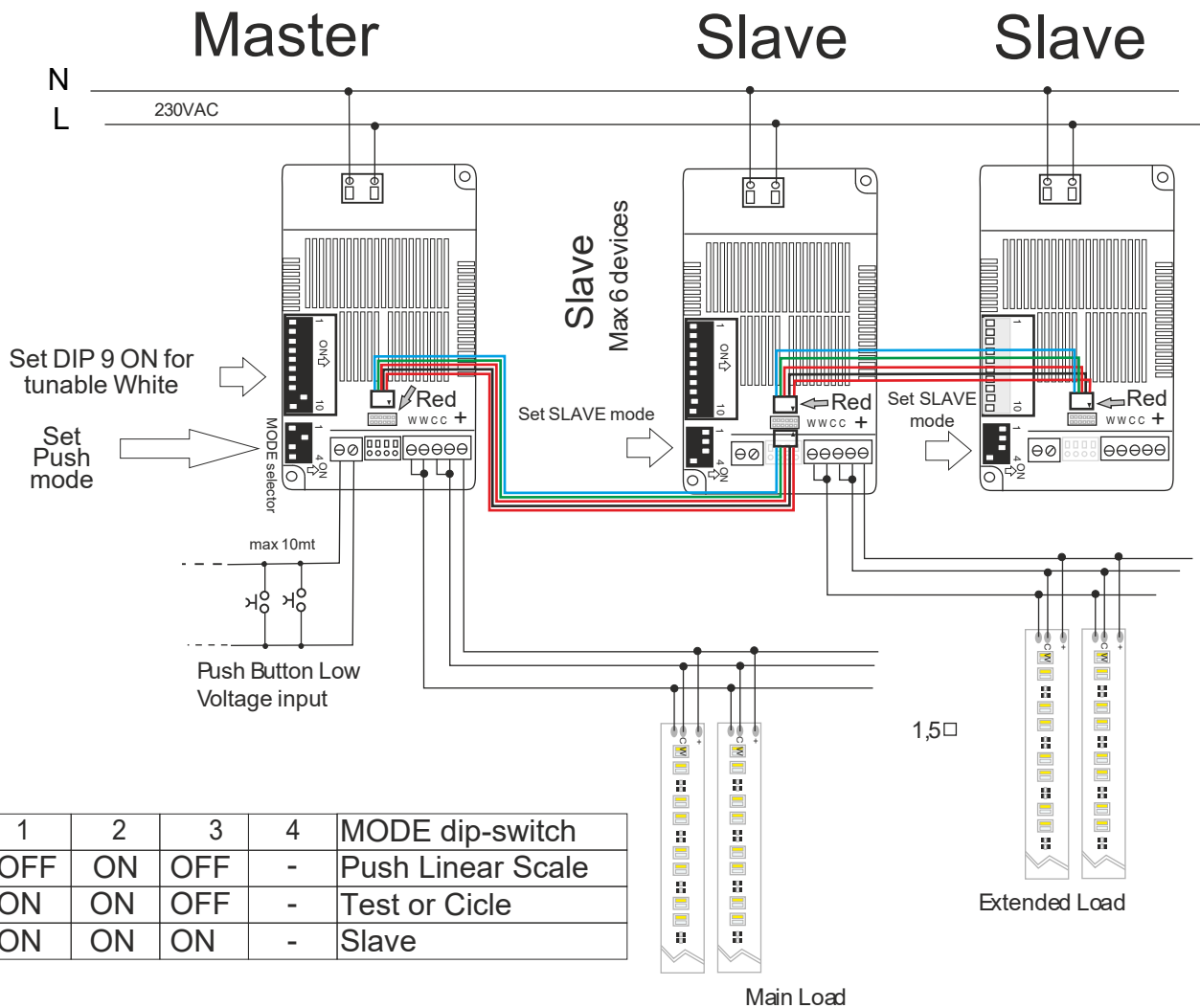
USER GUIDE

Code: LE10024CCTP1, LE10024CCTP2

Constant voltage LED drivers



LE10024CCTP1 TUNABLE WHITE with PUSH BUTTON



Short Push: ON/OFF function

Long Push when ON: change colours or dimmer

Long Push when OFF: after a FLASH, change of function from tunable white to dimmer and the other way around

Control input: select input mode by dip-switches. Switch off and on the device after every change

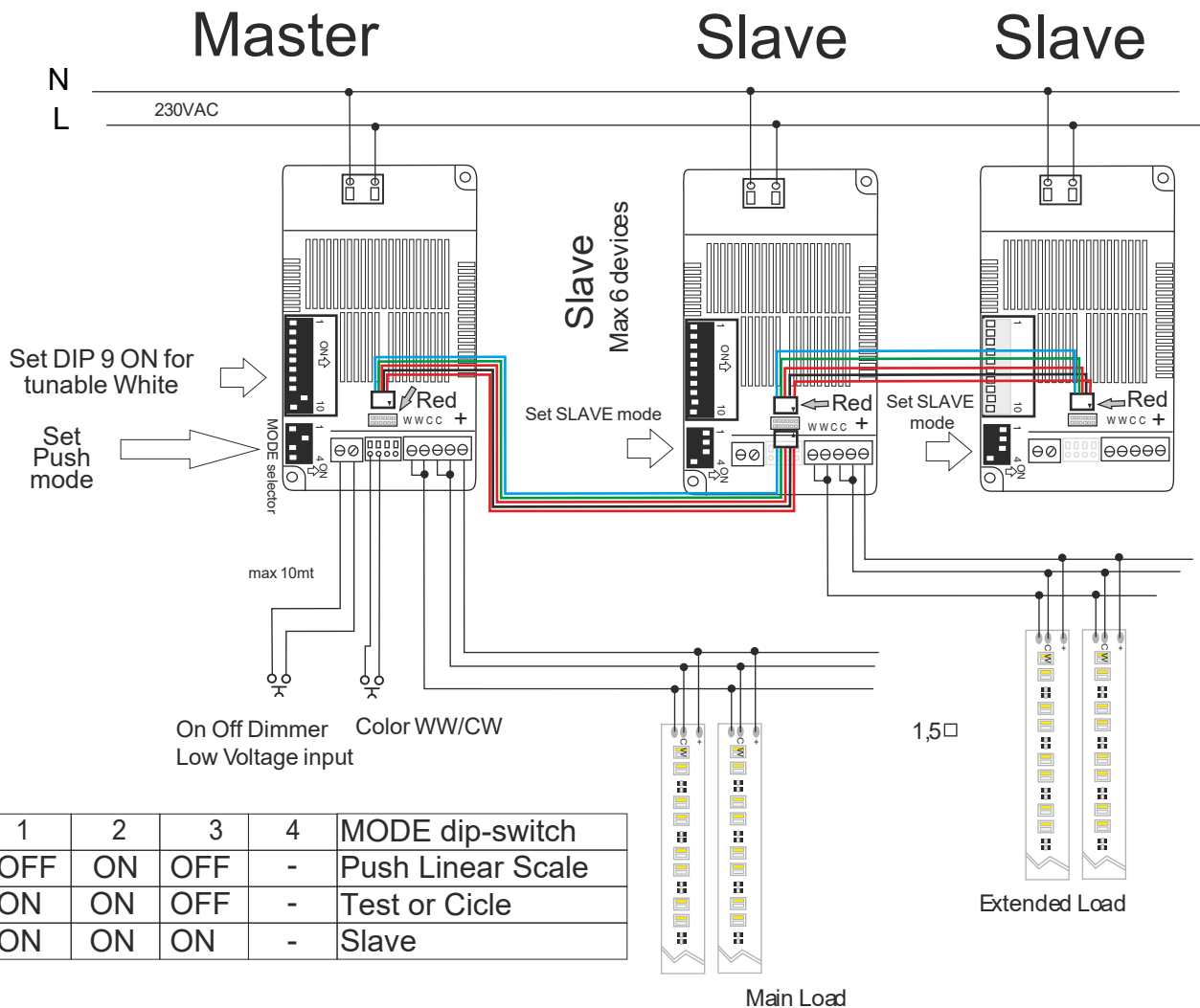
USER GUIDE

Code: LE10024CCTP1, LE10024CCTP2

Constant voltage LED drivers



LE10024CCTP2 TUNABLE WHITE with 2 PUSH BUTTON



Short Push Push-button 1: ON/OFF function

Long Push Push-button 1: dimmer function

Push button 2: Tunable white mode

Control input: select input mode by dip-switches. Switch off and on the device after every change