

USER GUIDE

DLP1012SN, DLP1012SB, DLP1012SA

Floor independent dimmers



General Characteristics

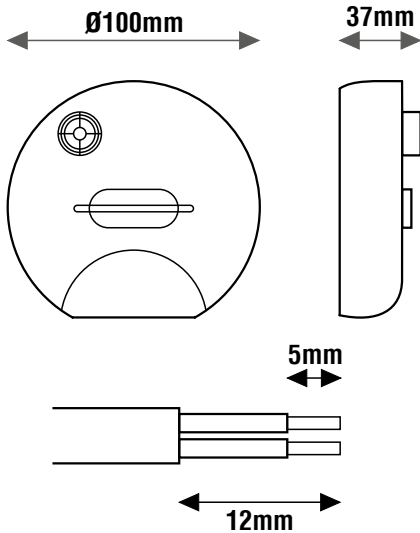
Plastic case with connection
Slider potenziometer control with push-button switch

Reference Standards:

EN 61058-1
EN 61058-2-1



www.leflighting.it



CODICE CODE	Colore Color	RESISTIVO RESISTIVE Lampade ad incandescenza o alogene Incandescent or halogen lamps 230Vac	INDUTTIVO INDUCTIVE Trasformatore lamellare Laminated transformer 230/12Vac	INDUTTIVO INDUCTIVE Trasformatore toroidale Toroidal transformer 230/12Vac	Alimentatore elettronico con lampade ad incandescenza o alogene Electronic driver with incandescent or halogen lamps 230/12Vac	Alimentatore elettronico con lampade LED dimmerabili Electronic driver with dimmable LED lamps 230/12Vac	Alimentatore elettronico dimmerabile con uscita in CC/CV per LED Dimmable electronic driver with CC/CV output for LED	Lampade fluorescenti compatte dimmerabili Dimmable compact fluorescent lamps 230Vac	Lampade LED dimmerabili Dimmable LED lamps 230Vac	Moduli LED dimmerabili Dimmable LED modules Seoul ACRICH 230Vac	Peso Weight (g)
DLP1012SN	Nero Black	60-300W	-	-	-	-	-	-	-	-	150
DLP1012SB	Bianco White										
DLP1012SA	Trasparente Transparent										

Technical Features

Input voltage range 220-240Vac

Input frequency 50=60Hz

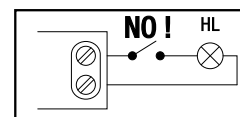
Dimming control through:

- switch
- slide potentiometer

Can be used for class I and II appliances

Suitable for resistive loads,
incandescent or halogen lamps 230Vac

Built-in fuse 2,5A



N.B.

Device not suitable for
no-load operation.

ATTENTION:

The installation of the product must be
followed by qualified personnel.
If the product is used for purposes other than
the original ones or if it is connected
incorrectly, LEF Lighting S.R.L. will not accept
any responsibility for damages caused.

[AA] Rev. v3.10 11/07/2022



PRODUCT TO BE DISPOSED
DIFFERENTLY FROM URBAN WASTE
AEE identification nr.IT1804000010321



MADE IN ITALY

LEF LIGHTING S.R.L. | www.leflighting.it

Via Rodolfo Morandi, 9/11 - 50019 Sesto Fiorentino (FI) - ITALY | Tel +39 055 421 77 27 - Fax +39 055 425 44 92

USER GUIDE

DLP1012SN, DLP1012SB, DLP1012SA

Floor independent dimmers



ASSEMBLING INSTRUCTION FIG. 1

Unscrew the closing screws A.

Take out the cover B.

Unscrew the screw C of the cord anchorage D.

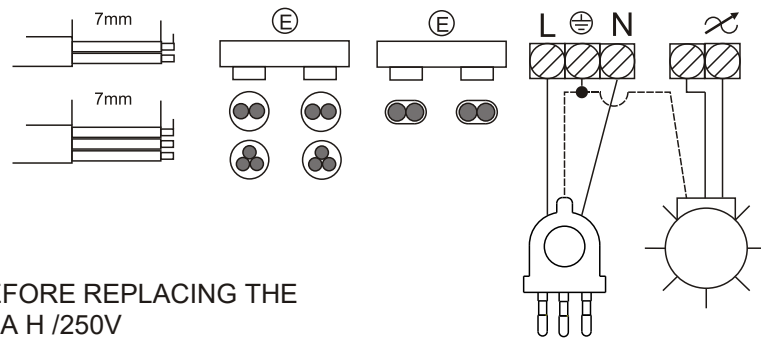
Strip the cable to be connected respecting the quotes indicated.

Connect supply cable to the terminals L and N of the electronic board.

Connect lamp cable to the terminal identified by symbol ∞ and N of the electronic board.

Mount cord anchorage D using the screw C.

Mount cover B, screwing the screws A.



SHUT OFF VOLTAGE BEFORE REPLACING THE
FUSE T2,5A H /250V
OPERATION TO BE MADE EXCLUSIVELY BY
SPECIALIZED TECHNICAL PERSONNEL

