

USER GUIDE

DALI6000

Converter from DALI signal to 0-10V signal



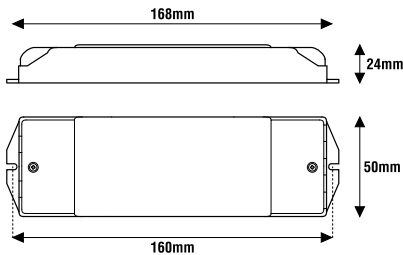
www.lef Lighting.it

General Characteristics

Plastic case
Device for independent mounting
Electric class protection III
Protection degree IP20

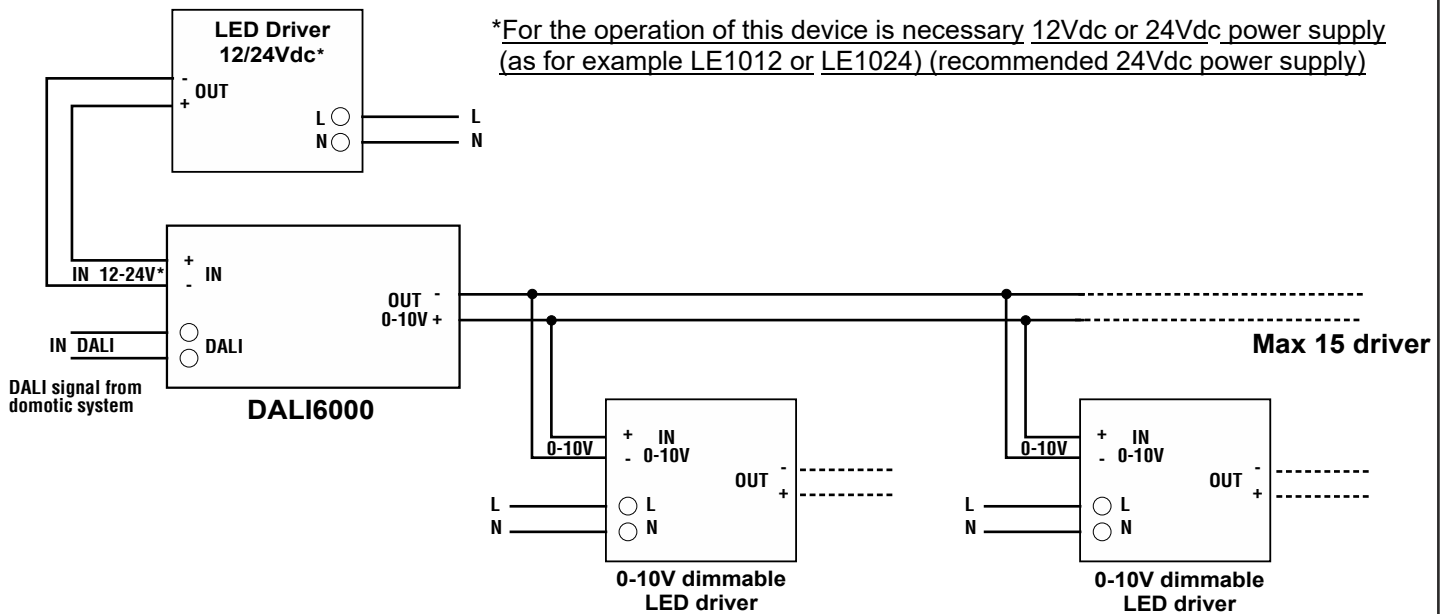
Reference Standards

EN 60929
EN 62386-206



DALI DT5	DIM DALI	OUT 0-10V
----------	----------	-----------

CODICE CODE	Tensione di ingresso Input voltage (Vdc)	Comando Command	Uscita di segnale Signal output (Vdc)	Corrente di uscita Output current (mA)	Alimentatori 0-10V controllabili 0-10V power supplies controllable (n°)	Peso Weight (g)
DALI6000	12-24	DALI	0-10V	15	15	90



Technical Features

Input voltage range 12-24Vdc
Output signal 0-10V
Device for controlling power supplies with 0-10V signal input
Brightness adjustment through:
- DALI signal
Maximum number of controllable power supplies: 15
Operating ambient temperature T_a $-20^{\circ}\text{C} \div +50^{\circ}\text{C}$

ATTENTION:

The installation of the product must be followed by qualified personnel.
If the product is used for purposes other than the original ones or if it is connected incorrectly, LEF Lighting S.R.L. will not accept any responsibility for damages caused.

MADE IN P.R.C.



PRODUCT TO BE DISPOSED DIFFERENTLY FROM URBAN WASTE
AEE identification nr.IT1804000010321

[AA] Rev. v1.10 23/01/2023

LEF LIGHTING S.R.L. | www.lef Lighting.it

Viale L.Ariosto 478 - 50019 Sesto Fiorentino (FI) - ITALY | Tel +39 055 421 77 27 - Fax +39 055 425 44 92