

USER GUIDE MINI060 - MINI105

ELECTRONIC TRANSFORMERS FOR HALOGEN LAMPS 12Vac PHASE CUT DIMMABLE

General characteristics

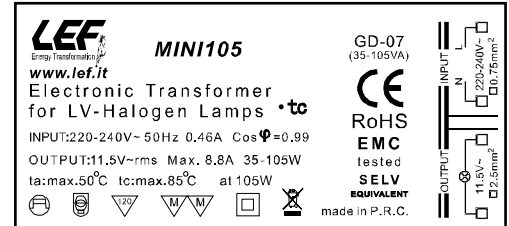
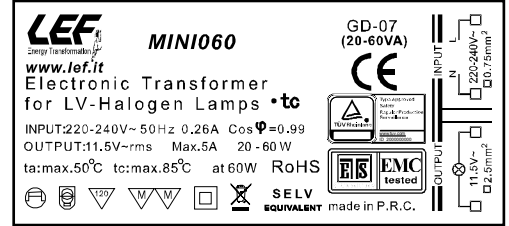
- Plastic case
- Power supply for independent mounting
- Electric class protection II SELV
- Protection degree IP20

Technical Features

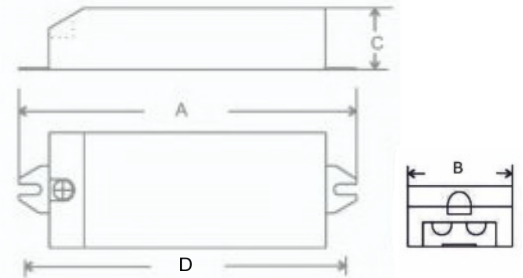
- Input voltage range 220-240Vac
- Input frequency 50± 60 Hz
- **Output voltage 12Vac**
- Protection against overtemperature (OTP)
- Overload Protection (OLP)
- Short circuit Protection (SCP)
- Power factor (PFC) $\lambda \geq 0,99$
- Max ambient temperature $T_a -20^\circ\text{C} + +50^\circ\text{C}$
- Max Tc point temperature: 85°C

Functioning

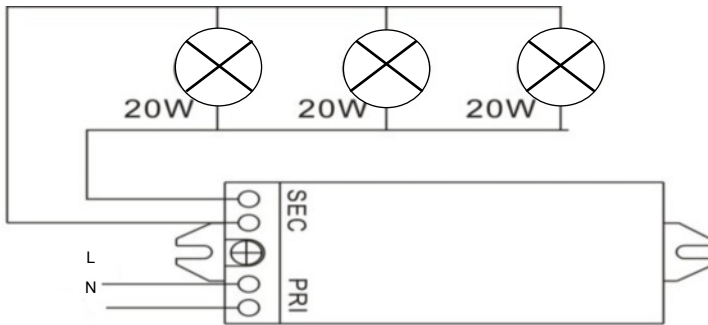
- This power supply can be used only with voltage HALOGEN lamps 12Vac.
- This driver is only suitable for internal use.
- It does not need earth connection.
- **Brightness adjustment with Trailing Edge (IGBT) or Leading Edge (TRIAC) dimmer technology.**
- It operates with a soft start that produces a steadily rising current after switching-on.



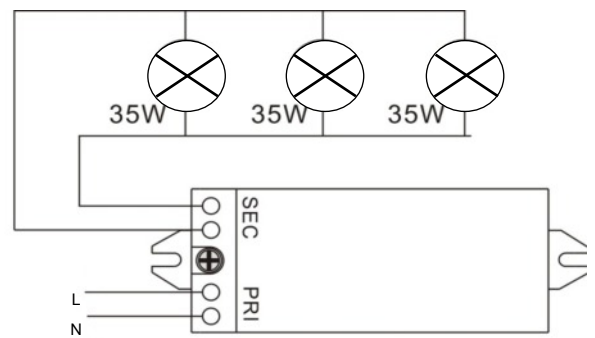
CODICE CODE	TENSIONE DI INGRESSO INPUT VOLTAGE (Vac)	FREQUENZA DI RETE INPUT FREQUENCY (Hz)	POTENZA DI USCITA OUTPUT POWER (W)	PESO WEIGHT (g)	DIMENSIONI DIMENSIONS (mm)			
					A	B	C	D
MINI060	220-240	50±60	20±60	70	96	34	22	102
MINI105			35±105	100				



WIRING DIAGRAM MINI060



WIRING DIAGRAM MINI105



NOTES FOR INSTALLATION

- To avoid RF interfering radiation, the lengths of the lamps supply cables must not be more than max 2m.
- The transformer should be mounted as near as possible to the halogen lamps. However, due to the heat radiation of the lamps, a minimum distance of approx. 30 cm has to be observed. As the electronic transformer is heating up itself, the mounting place must be sufficiently ventilated.



The installation of the product must be followed by qualified personal.

If the transformer is used for purposes other than the original or if it is connected incorrectly, L.E.F. S.R.L. will not accept any responsibility for damages caused.

Reference standards:
EN61347-1
EN61000-3-3
EN61347-2-2
EN55015
EN61000-3-2
EN61547
EN61047

