

USER GUIDE

Code: LEPUSHDALI

Dimmable system with DALI signal



General Characteristics

Plastic case
Device for independent mounting
Electric class protection II
Protection degree IP20

Technical Features

Input voltage range 110-240Vac
Input frequency 50÷60Hz

Device for controlling DALI power supplies

Brightness adjustment through:

- push-button (PUSH 230Vac)

This device sends (in broadcast) DALI commands, it is not necessary to set the addresses of the DALI power supplies connected to the BUS

Maximum number of controllable power supplies: 10

Operating ambient temperature Ta -20°C ÷ +50°C

Max case temperature on Tc 70°C

Reference Standards

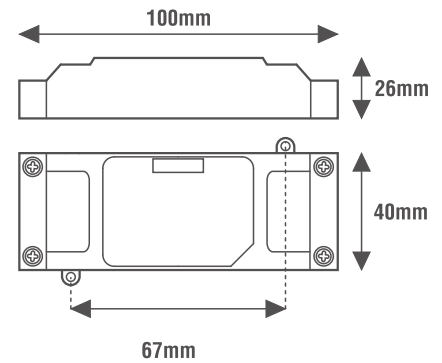
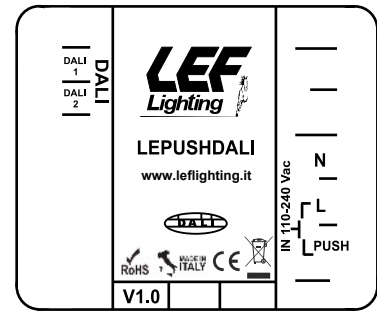
EN 55015
EN 61000-3-2
EN 61000-3-3
EN 61347-1
EN 61347-2-13
EN 61547
EN 62493
EN 62386

ATTENTION:

The installation of the product must be followed by qualified personnel.

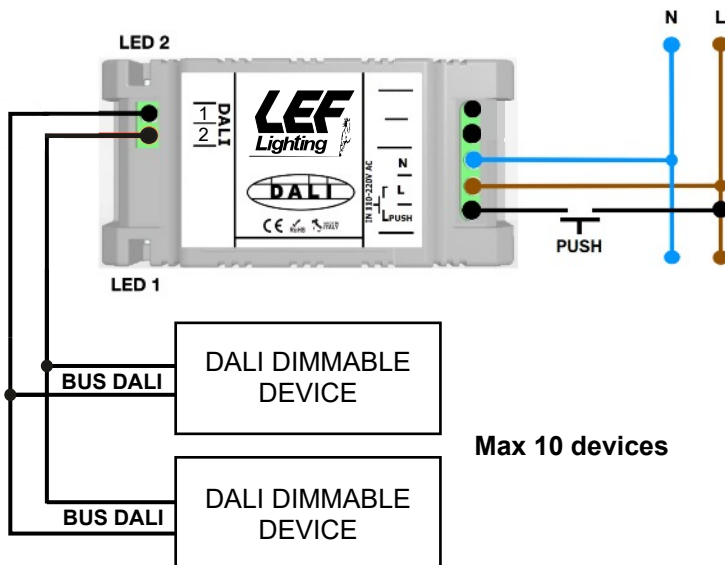
If the product is used for purposes other than the original ones or if it is connected incorrectly,

LEF Lighting S.R.L. will not accept any responsibility for damages caused.



CODICE CODE	Tensione di ingresso Input voltage (Vac)	Frequenza di rete Input frequency (Hz)	Comando Command	Uscita di segnale Signal output	Alimentatori DALI controllabili DALI power supplies controllable (n°)	Peso Weight (g)
LEPUSHDALI	110-240	50÷60	PUSH	DALI	10	50

WIRING DIAGRAMS



L	Line connection
N	Neutral connection
PUSH	PUSH connection
LED1	Not used
LED2	DALI status LED
DALI1	BUS DALI
DALI2	BUS DALI

PUSH Interface Operation

Single Click (quick pressure (<1sec))

- Turns on or off the output (ON/OFF)

Double Click (quick pressure (<1sec))

- Sets the maximum brightness (output=100%)

Long Press (long press (>1sec))

-If the dimmer is in OFF state, sets the output to the minimum value, default=1%-If the dimmer is in ON state, the long press allows the output dimming (increase/decrease).

[AA] REV. V2.11 14/05/2020



PRODUCT TO BE DISPOSED DIFFERENTLY FROM URBAN WASTE

AEE Identification nr.IT18040000010321



MADE IN ITALY

LEF LIGHTING S.R.L. | www.lef Lighting .it

Via Rodolfo Morandi, 9/11 - 50019 Sesto Fiorentino (FI) - ITALY | Tel +39 055 421 77 27 - Fax +39 055 425 44 92