

INSTRUCTIONS

Code: RFT1935N / RFT1935B /RFT1935A
INDEPENDENT SWITCH

Unipolar switch.
Usable for class II equipments.
Suitable for flat cables 2x0,75mmq H03VVH2-F.
Screw terminals.
Plastic case.



PRODUCT TO BE DISPOSED
DIFFERENTLY FROM URBAN WASTE



MADE IN ITALY

Rev. v.1.10 04/10/2017

CODICE CODE	FUNZIONE FUNCTION	COLORE COLOR	RESISTIVO RESISTIVE Lampade ad Incandescenza Incandescent Lamps 230Vac	RESISTIVO RESISTIVE Lampade Alogene Halogen Lamps 230Vac	INDUTTIVO INDUCTIVE Trasformatore Lamellare Laminated Transformer 230/12Vac	INDUTTIVO INDUCTIVE Trasformatore Toroidale Toroidal Transformer 230/12Vac	Alimentatore elettronico con lampade incandescenza o alogene Electronic driver with incandescent or halogen lamps 230/12Vac	Alimentatore elettronico con lampade LED Electronic driver with LED lamps 230/12Vac	Alimentatore elettronico con uscita in CC per LED Electronic driver with CC output for LED 230/12Vac	Lampade fluorescenti compatte Compact fluorescent lamps 230Vac	Lampade LED LED lamps 230Vac	Moduli LED LED Modules Seoul ACRICH 230Vac
RFT1935N	INTERRUZIONE SWITCH	NERO BLACK										
RFT1935B		BIANCO WHITE	0÷500W	0÷500W	0÷250W	0÷250W	0÷250W	0÷250W	0÷250W	0÷250W	0÷250W	0÷250W
RFT1935A		TRASPARENTE TRANSPARENT										

TECHNICAL FEATURES

Voltage range input: 230Vac

Input frequency: 50Hz

ATTENTION:

The installation of the product must be followed by qualified personnel.

If the product is used for purposes other than the original ones or if it is connected incorrectly, LEF Lighting S.R.L. will not accept any responsibility for damages caused.

INSTRUCTIONS

Code: RFT1935N / RFT1935B /RFT1935A
INDEPENDENT SWITCH

Unipolar switch.
Usable for class II equipments.
Suitable for flat cables 2x0,75mmq H03VVH2-F.
Screw terminals.
Plastic case.



PRODUCT TO BE DISPOSED
DIFFERENTLY FROM URBAN WASTE



MADE IN ITALY

Rev. v.1.10 04/10/2017

CODICE CODE	FUNZIONE FUNCTION	COLORE COLOR	RESISTIVO RESISTIVE Lampade ad Incandescenza Incandescent Lamps 230Vac	RESISTIVO RESISTIVE Lampade Alogene Halogen Lamps 230Vac	INDUTTIVO INDUCTIVE Trasformatore Lamellare Laminated Transformer 230/12Vac	INDUTTIVO INDUCTIVE Trasformatore Toroidale Toroidal Transformer 230/12Vac	Alimentatore elettronico con lampade incandescenza o alogene Electronic driver with incandescent or halogen lamps 230/12Vac	Alimentatore elettronico con lampade LED Electronic driver with LED lamps 230/12Vac	Alimentatore elettronico con uscita in CC per LED Electronic driver with CC output for LED 230/12Vac	Lampade fluorescenti compatte Compact fluorescent lamps 230Vac	Lampade LED LED lamps 230Vac	Moduli LED LED Modules Seoul ACRICH 230Vac
RFT1935N	INTERRUZIONE SWITCH	NERO BLACK										
RFT1935B		BIANCO WHITE	0÷500W	0÷500W	0÷250W	0÷250W	0÷250W	0÷250W	0÷250W	0÷250W	0÷250W	0÷250W
RFT1935A		TRASPARENTE TRANSPARENT										

TECHNICAL FEATURES

Voltage range input: 230Vac

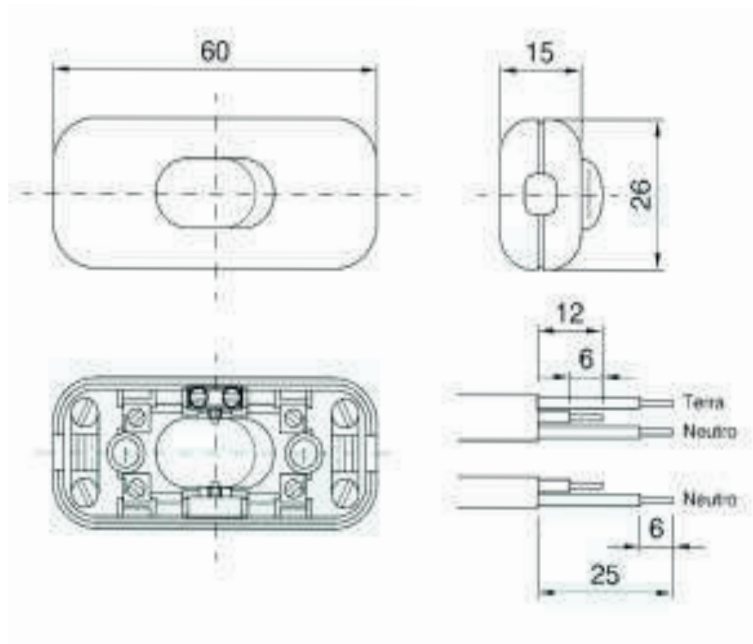
Input frequency: 50Hz

ATTENTION:

The installation of the product must be followed by qualified personnel.

If the product is used for purposes other than the original ones or if it is connected incorrectly, LEF Lighting S.R.L. will not accept any responsibility for damages caused.

INSTRUCTIONS
Code: RFT1935N / RFT1935B / RFT1935A
INDEPENDENT SWITCH



INSTRUCTIONS
Code: RFT1935N / RFT1935B / RFT1935A
INDEPENDENT SWITCH

