

# INSTRUCTIONS

Code: RFP1350N / RFP1350B / RFP1350A  
FLOOR INDEPENDENT DIMMER

Unipolar switch.  
Usable for class I and II equipments.  
Suitable for flat or round cables 2x0,75mmq or 3x0,75mmq.  
With ground clamp.  
Screw terminals.  
Plastic case.



Rev. v.1.10 04/10/2017



PRODUCT TO BE DISPOSED  
DIFFERENTLY FROM URBAN WASTE



MADE IN ITALY

CODICE CODE	FUNZIONE FUNCTION	COLORE COLOR	RESISTIVO RESISTIVE Lampade ad Incandescenza Incandescent Lamps 230Vac	RESISTIVO RESISTIVE Lampade Alogene Halogen Lamps 230Vac	INDUTTIVO INDUCTIVE Trasformatore Lamellare Laminated Transformer 230/12Vac	INDUTTIVO INDUCTIVE Trasformatore Toroidale Toroidal Transformer 230/12Vac	Alimentatore elettronico con lampade incandescenza o alogene Electronic driver with incandescent or halogen lamps 230/12Vac	Alimentatore elettronico con lampade LED Electronic driver with LED lamps 230/12Vac	Alimentatore elettronico con uscita in CC per LED Electronic driver with CC output for LED 230/12Vac	Lampade fluorescenti compatte Compact fluorescent lamps 230Vac	Lampade LED lamps 230Vac	Moduli LED Modules Seoul ACRICH 230Vac
RFP1350N	INTERRUTTORE SWITCH	NERO BLACK	0÷500W	0÷500W	0÷250W	0÷250W	0÷250W	0÷250W	0÷250W	0÷250W	0÷250W	0÷250W
RFP1350B		BIANCO WHITE										
RFP1350A		TRASPARENTE TRANSPARENT										

## TECHNICAL FEATURES

Voltage range input: 230Vac

Input frequency: 50Hz

### ATTENTION:

The installation of the product must be followed by qualified personnel.

If the product is used for purposes other than the original ones or if it is connected incorrectly, LEF Lighting S.R.L. will not accept any responsibility for damages caused.

# INSTRUCTIONS

Code: RFP1350N / RFP1350B / RFP1350A  
FLOOR INDEPENDENT DIMMER

Unipolar switch.  
Usable for class I and II equipments.  
Suitable for flat or round cables 2x0,75mmq or 3x0,75mmq.  
With ground clamp.  
Screw terminals.  
Plastic case.



Rev. v.1.10 04/10/2017



PRODUCT TO BE DISPOSED  
DIFFERENTLY FROM URBAN WASTE



MADE IN ITALY

CODICE CODE	FUNZIONE FUNCTION	COLORE COLOR	RESISTIVO RESISTIVE Lampade ad Incandescenza Incandescent Lamps 230Vac	RESISTIVO RESISTIVE Lampade Alogene Halogen Lamps 230Vac	INDUTTIVO INDUCTIVE Trasformatore Lamellare Laminated Transformer 230/12Vac	INDUTTIVO INDUCTIVE Trasformatore Toroidale Toroidal Transformer 230/12Vac	Alimentatore elettronico con lampade incandescenza o alogene Electronic driver with incandescent or halogen lamps 230/12Vac	Alimentatore elettronico con lampade LED Electronic driver with LED lamps 230/12Vac	Alimentatore elettronico con uscita in CC per LED Electronic driver with CC output for LED 230/12Vac	Lampade fluorescenti compatte Compact fluorescent lamps 230Vac	Lampade LED lamps 230Vac	Moduli LED Modules Seoul ACRICH 230Vac
RFP1350N	INTERRUTTORE SWITCH	NERO BLACK	0÷500W	0÷500W	0÷250W	0÷250W	0÷250W	0÷250W	0÷250W	0÷250W	0÷250W	0÷250W
RFP1350B		BIANCO WHITE										
RFP1350A		TRASPARENTE TRANSPARENT										

## TECHNICAL FEATURES

Voltage range input: 230Vac

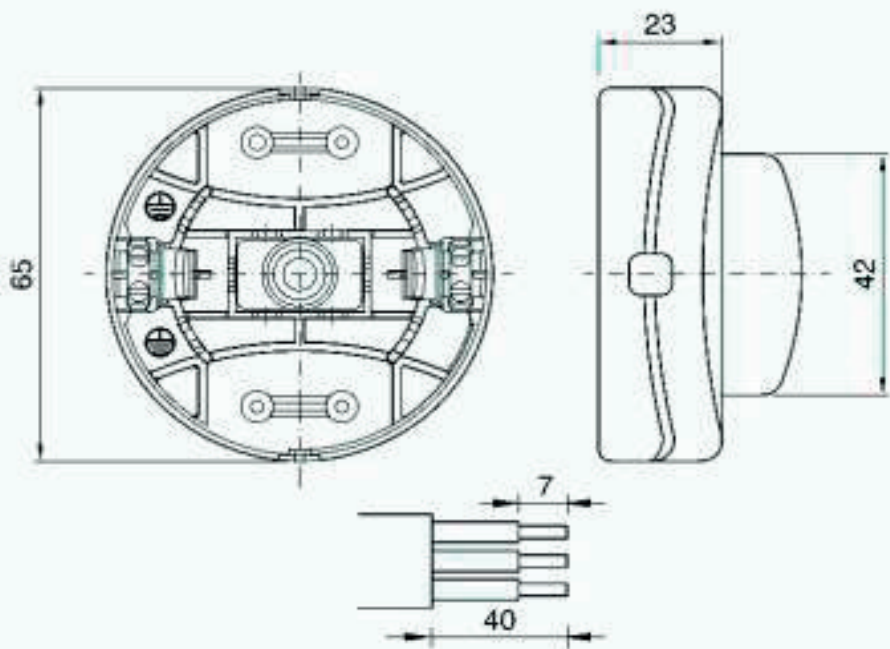
Input frequency: 50Hz

### ATTENTION:

The installation of the product must be followed by qualified personnel.

If the product is used for purposes other than the original ones or if it is connected incorrectly, LEF Lighting S.R.L. will not accept any responsibility for damages caused.

**INSTRUCTIONS**  
**Code: RFP1350N / RFP1350B / RFP1350A**  
**FLOOR INDEPENDENT DIMMER**



**INSTRUCTIONS**  
**Code: RFP1350N / RFP1350B / RFP1350A**  
**FLOOR INDEPENDENT DIMMER**

