

# USER GUIDE

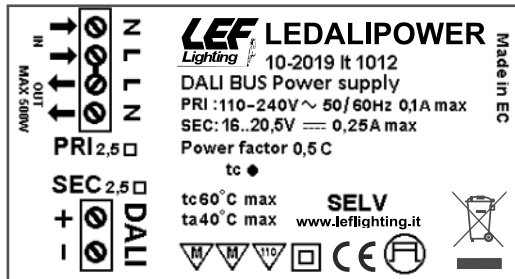
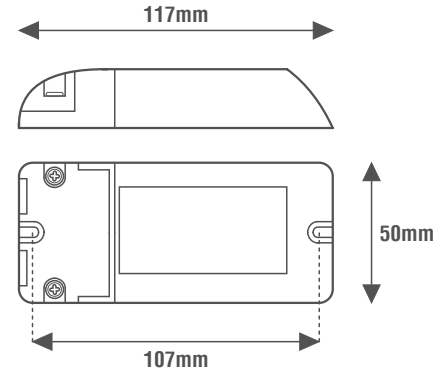
## Code: LEDALIPOWER

### DALI line power supply



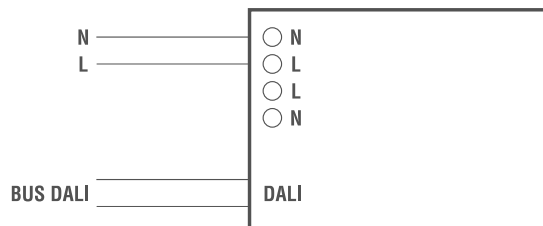
#### General Characteristics

Plastic case  
 Device for independent mounting  
 Electric class protection II  
 Protection degree IP20



CODICE CODE	Tensione di ingresso Input voltage (Vac)	Frequenza di rete Input frequency (Hz)	Prodotto Product	Corrente di uscita Output current (mA)	Alimentatori DALI controllabili DALI power supplies controllable (n°)	Peso Weight (g)
LEDALIPOWER	110-240	50÷60	DALI LINE POWER SUPPLY	250	64	90

#### Wiring diagrams



#### Technical Features

Input voltage range 110÷240Vac  
 Input frequency 50÷60Hz  
 Output voltage 16÷20,5Vdc  
 Output current 250mA

**This power supply supplies current on the DALI bus up to to a maximum of 64 standard DALI power supplies (<2mA)**

Operating ambient temperature Ta -10°C ÷ +40°C  
 Max case temperature on Tc 60°C

#### Reference standards

EN 55015  
 EN 61000-3-2  
 EN 61000-3-3  
 EN 61347-1  
 EN 61347-2-13  
 EN 61547  
 EN 62386  
 EN 62493

[AA] Rev. v1.10 10/02/2020

