

# INSTRUCTIONS

## Code: LECV1248REP

### DIMMING INTERFACE EXTENDER 12-24-48Vdc

#### General Characteristics

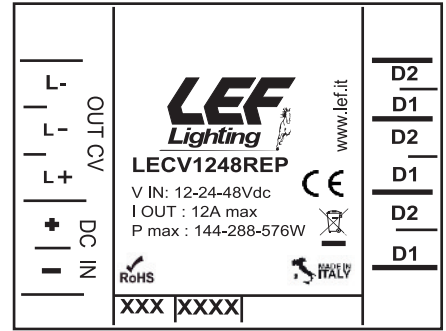
- Plastic case
- Device for independent mounting
- Electric class protection II
- Protection degree IP20

#### Technical Features

- Input voltage range 12-24-48Vdc
- Output voltage range 12-24-48Vdc
- Extender (SLAVE) for dimming interfaces:
  - LECV1248DP
  - LECV1248DPB
  - LECV1248DPB2CH
  - LECV1248DPX
  - LECV1248SX
- Overvoltage protection (OVP)
- Operating ambient temperature Ta -20°C + +50°C

#### Product operation

- Single channel dimmer with PWM voltage output.
- Power supply range: 10-53V DC.
- PWM signal extender.
- The device is designed to reproduce a PWM voltage input with output up to 12A.
- The device allows to reproduce the PWM signal using also a supply voltage different from the input one.

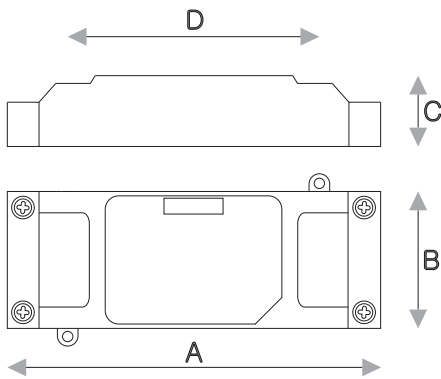


Control inputs	
Typology	Quantity
12-24-48Vdc PWM	1

Control outputs	
Typology	Quantity
12-24-48Vdc PWM	1

CODE	INPUT VOLTAGE	MAX OUTPUT CURRENT	N.CHANNELS OUTPUT	MAX OUTPUT POWER	CONTROL INPUTS
<b>LECV1248REP</b>	12-24-48 Vdc	12A	1	144W@12Vdc 288W@24Vdc 576W@48Vdc	PWM

The LECV1248REP device arises from the need to extend the current demand in large installations and / or simply synchronize the dimming of different LED modules in terms of supply voltage. The device has been designed to reproduce a PWM voltage input taken directly from the load.



DIMENSIONS A x B x C : 100 x 40 x 26 mm  
DIMENSION D : 67 mm  
WEIGHT: 60 g

**ATTENTION:**  
The installation of the product must be followed by qualified personnel.

If the product is used for purposes other than the original ones or if it is connected incorrectly, LEF Lighting S.R.L. will not accept any Responsibility for damages caused.



Download the instruction sheet on your Smartphone / Tablet



Reference Standards:

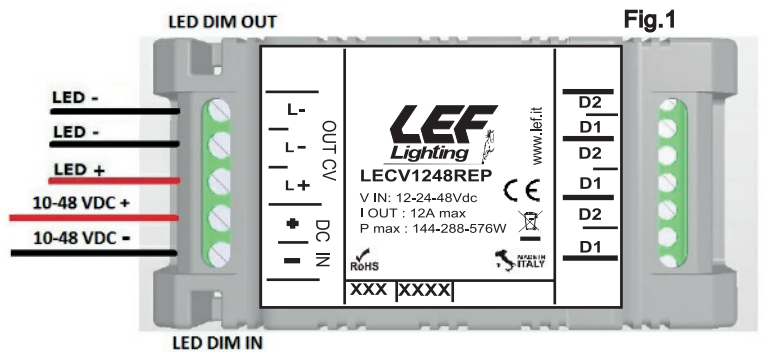
- EN 55015
- EN 61000-3-2
- EN 61000-3-3
- EN 61347-1
- EN 61347-2-13
- EN 61547
- EN 62493

AEE Identification nr.IT18040000010321



#### LECV1248REP GUARANTEES MAXIMUM PWM RESOLUTION WITH DIFFERENT CAPACITIVE LOADS (for example, CV LED STRIP)

#### DEVICE POWER SUPPLY AND CONNECTION TO THE LED MODULE



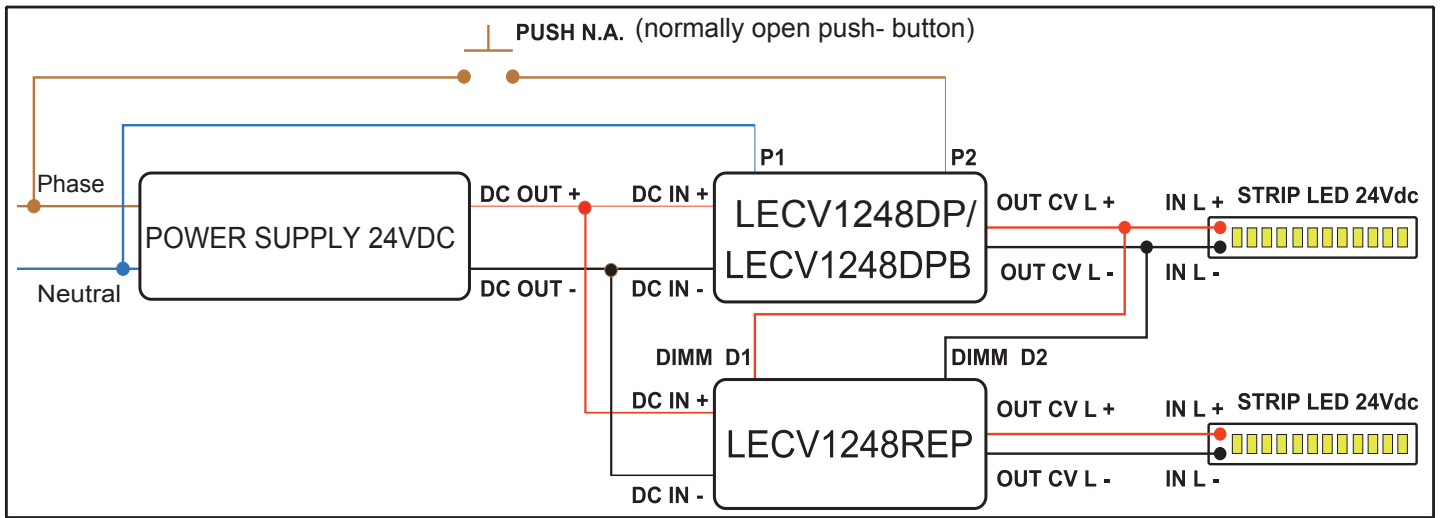
- The LECV1248REP dimmers must be supplied according to the polarity indicated in FIG. 1 through the DC IN terminals (+ and -).
- LED load connection must be carried out using the OUT terminals (L + and L-).
- The input PWM signal must be connected to terminals D1 and D2 without considering the polarity.
- The DIM IN LED, placed on board, indicates the presence of the PWM input signal.
- The DIM OUT LED, placed on board, indicates the presence of the PWM output signal.

# ISTRUZIONI

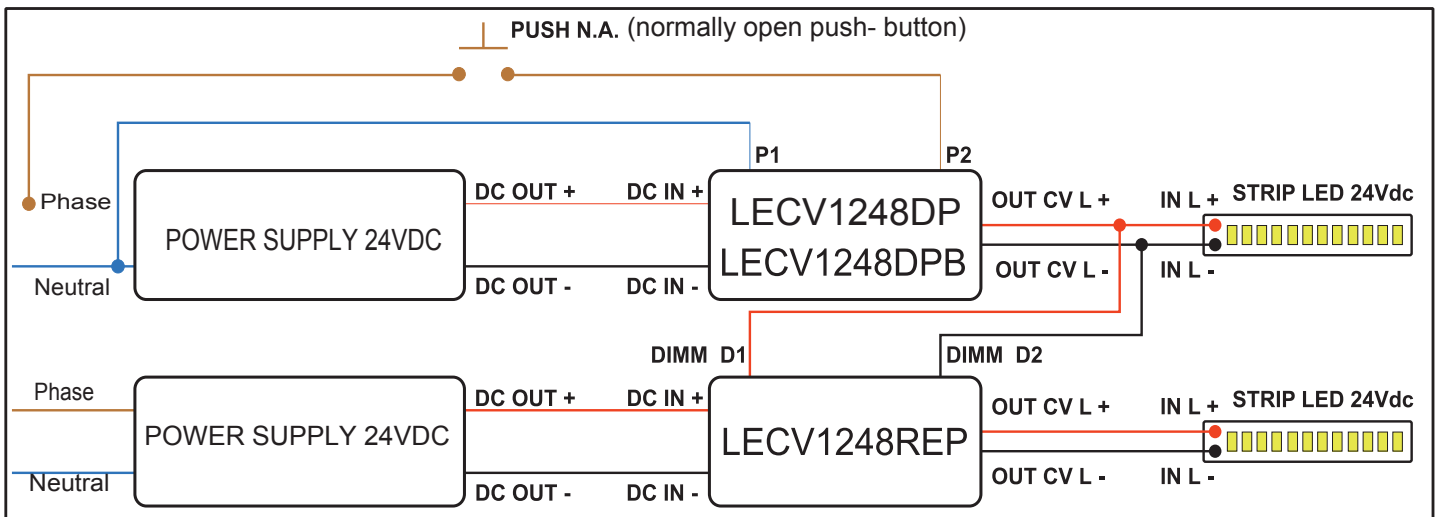
## Code: LECV1248REP

DIMMING INTERFACE EXTENDER 12-24-48Vdc

### Push mode (Single Supply)



### Push mode (Independent power supply)



### Bluetooth mode (independent power supply)

