

USER GUIDE

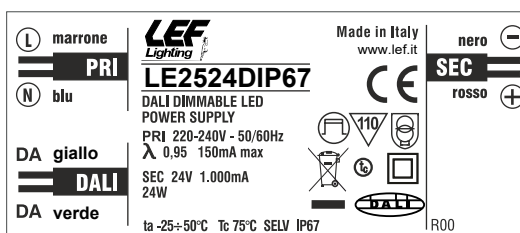
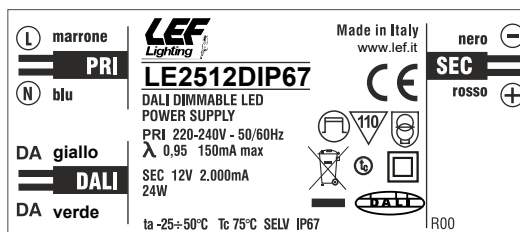
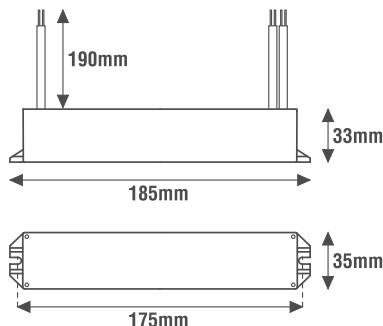
Code: LE2512DIP67 / LE2524DIP67

DIMMABLE CONSTANT VOLTAGE LED DRIVERS IP67 (CV)



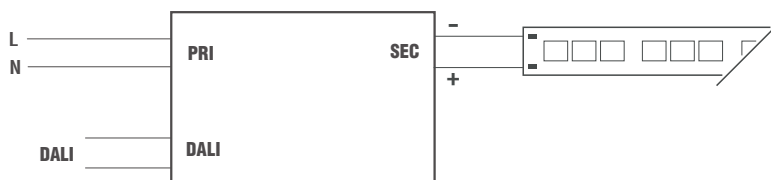
General Characteristics

- Plastic case
- Drivers for external use
- Completely sealed electronic board
- Electric class protection II
- Protection degree IP67
- H05RN-F cables length 190mm



CODICE CODE	Tensione di ingresso Input voltage (Vac)	Frequenza di rete Input frequency (Hz)	Potenza di uscita Output power (W)	Comando Command	Tensione di uscita Output voltage (Vdc)	Corrente di uscita Output current (mA)	PFC (λ)	CC CV	Peso Weight (g)
LE2512DIP67	220-240	50÷60	24	DALI	12	2000	0,95	CV	180
LE2524DIP67					24	1000			

Wiring Diagrams



Technical Features

- Input voltage range 220-240Vac
- Input frequency 50÷60Hz
- Constant voltage output:**
 - 12Vdc (LE2512DIP67)
 - 24Vdc (LE2524DIP67)
- Brightness adjustment through:**
 - DALI signal
- Overload protection (OLP)
- Short circuit protection (SCP)
- Power factor correction (PFC) $\lambda \geq 0,95$
- Operating ambient temperature $T_a -25^{\circ}\text{C} \div +50^{\circ}\text{C}$
- Max case temperature on $T_c 75^{\circ}\text{C}$

Reference Standards

- EN 55015
- EN 61000-3-2
- EN 61347-1
- EN 61347-2-13
- EN 61547
- EN 62384



AEE identification nr.IT1804000010321

DIM
DALI



LEF LIGHTING S.R.L.

Via Rodolfo Morandi, 9/11 - 50019 Sesto Fiorentino (FI) - ITALY | Tel +39 055 421 77 27 - Fax +39 055 425 44 92 | www.lef.it