

# USER GUIDE

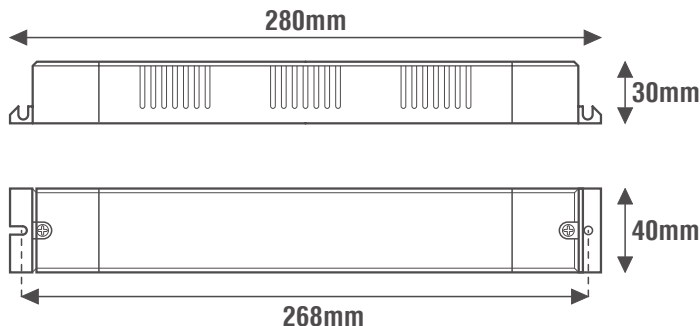
## Code: LE15024SLIM / LE15048SLIM

### CONSTANT VOLTAGE LED DRIVER



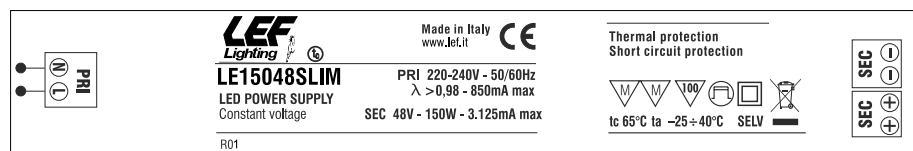
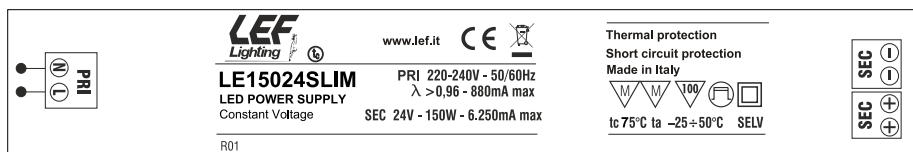
#### General Characteristics

Plastic case (SLIM)  
Driver for independent mounting  
Electric class protection II  
Protection degree IP20



#### Reference standards

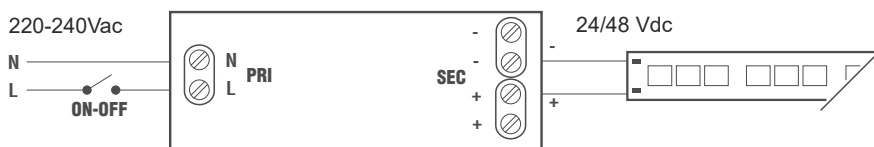
EN 55015  
EN 61000-3-2  
EN 61347-1  
EN 61347-2-13  
EN 61547  
EN 62384



SLIM

CODICE CODE	Tensione di ingresso Input voltage (Vac)	Frequenza di rete Input frequency (Hz)	Potenza di uscita Output power (W)	Comando Command	Tensione di uscita Output voltage (Vdc)	Corrente di uscita Output current (mA)	PFC (λ)	CC CV	Peso Weight (g)
LE15024SLIM	220-240	50÷60	150	ON-OFF	24	6250	0,96	CV	250
LE15048SLIM					48	3125			

#### WIRING DIAGRAM



#### Technical Features

Input voltage range 220-240Vac  
Input frequency 50÷60Hz  
**Constant voltage output 24Vdc (LE15024SLIM)**  
**Constant voltage output 48Vdc (LE15048SLIM)**  
Double output terminal  
Open circuit protection (OCP)  
Overload protection (OLP)  
Protection against overtemperature (OTP)  
Short circuit protection (SCP)  
Power factor correction (PFC)  $\lambda \geq 0,96$   
Operating ambient temperature  $T_a -25^{\circ}\text{C} \div +50^{\circ}\text{C}$   
Max case temperature on  $T_c 75^{\circ}\text{C}$

#### ATTENTION:

**The installation of the product must be followed by qualified personnel.**

**If the product is used for purposes other than the original ones or if it is connected incorrectly, LEF Lighting S.R.L. will not accept any responsibility for damages caused.**



PRODUCT TO BE DISPOSED DIFFERENTLY FROM URBAN WASTE

AEE Identification nr.IT18040000010321

MADE IN ITALY



LEF LIGHTING S.R.L. | www.lefgroup.com

Via Rodolfo Morandi, 9/11 - 50019 Sesto Fiorentino (FI) - ITALY | Tel +39 055 421 77 27 - Fax +39 055 425 44 92