

# USER GUIDE

## Code: LE10024TF

### CONSTANT VOLTAGE DRIVER FOR LED LAMPS 100W

### PHASE CUT DIMMABLE



#### General Characteristics

- Plastic case
- Driver for independent mounting
- Electric class protection II
- Protection degree IP20

**Dimming LED Driver**  
**Constant Voltage**  
**LE10024TF**

PRI: 220-240V~  
λ: 0,95  
0,75-2,5 □

SEC: 24Vdc, 1.4-4.2A, Max. 100W  
λ: 0,95  
t<sub>a</sub>: -20...+45°C t<sub>c</sub>: 80°C  
For indoor use only  
Dimmable with leading edge or trailing edge dimmer

MADE IN P.R.C.

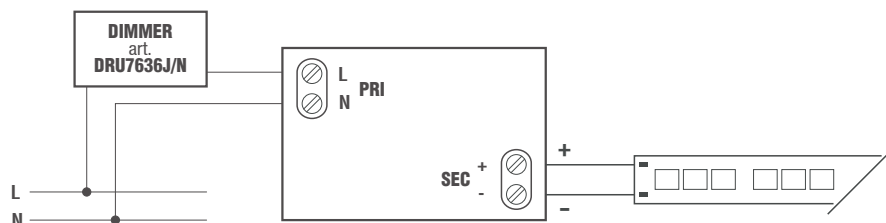
CE, RoHS, SELV, IP20, 100W, DC 24Vdc, CV, 80mm

LEF Lighting  
www.lef.it

SEC 24Vdc Max. 4.2A  
0,75-2,5 □

CODICE CODE	Tensione di ingresso Input voltage (Vac)	Frequenza di rete Input frequency (Hz)	Potenza di uscita Output power (W)		Comando Command	Tensione di uscita Output voltage (Vdc)	Corrente di uscita Output current (mA)		PFC (λ)	CC CV	Peso Weight (g)
			MIN	MAX			MIN	MAX			
LE10024TF	220-240	50÷60	33,6	100	TRIAC-IGBT	24	1400	4200	0,95	CV	390

#### WIRING DIAGRAMS



**Dimmerazione a Taglio di Fase ascendente (a inizio fase) TRIAC Leading Edge**  
Ascending Phase Cutting Dimming (at the beginning of the phase) TRIAC Leading Edge

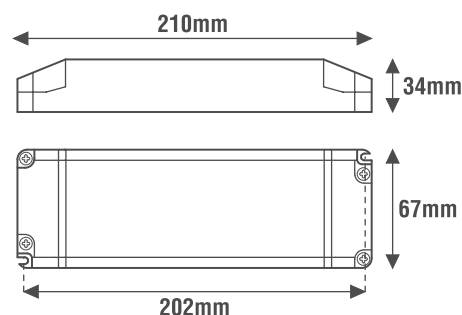
**Dimmerazione a Taglio di Fase discendente (a fine fase) IGBT Trailing Edge**  
Descending Phase Cutting dimming (at the end of the phase) IGBT Trailing Edge

**ATTENTION:**  
**The installation of the product must be followed by qualified personnel.**

**If the product is used for purposes other than the original ones or if it is connected incorrectly, LEF Lighting S.R.L. will not accept any responsibility for damages caused.**

#### Technical Features

- Input voltage range 220-240Vac
- Input frequency 50÷60Hz
- Constant voltage output 24Vdc
- Phase-cut dimmable with mode:
  - TRIAC Leading-Edge
  - IGBT Trailing-Edge
- Double output terminal
- Open circuit protection (OCP)
- Overload protection (OLP)
- Protection against overtemperature (OTP)
- Short circuit protection (SCP)
- Power factor correction (PFC)  $\lambda \geq 0,96$
- Operating ambient temperature  $T_a$  -20°C ÷ +45°C
- Max case temperature on  $T_c$  80°C



#### Reference standards

- EN 55015
- EN 61000-3-2
- EN 61000-3-3
- EN 61347-1
- EN 61347-2-13
- EN 61547



PRODUCT TO BE DISPOSED  
DIFFERENTLY FROM URBAN WASTE

AEE Identification nr.IT18040000010321

MADE IN P.R.C.



LEF LIGHTING S.R.L.

Via Rodolfo Morandi, 9/11 - 50019 Sesto Fiorentino (FI) - ITALY | Tel +39 055 421 77 27 - Fax +39 055 425 44 92 | www.lef.it