

USER GUIDE

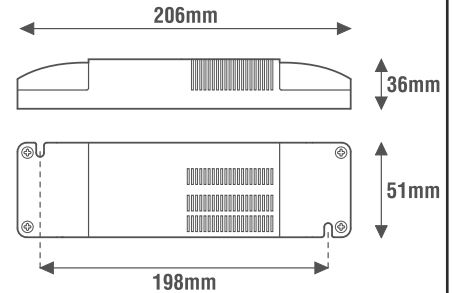
Code: LE7524P; LE10024P

Dimmable constant voltage LED driver

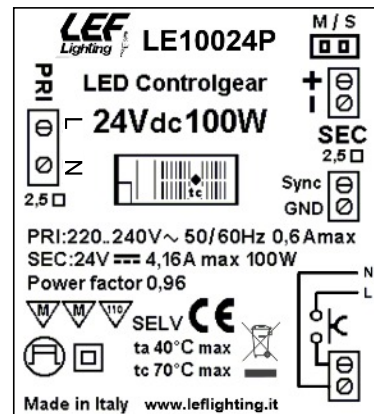
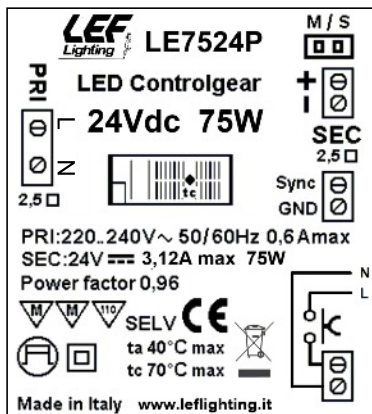


General Characteristics

Plastic case
Driver for independent mounting
Electric class protection II
Protection degree IP20



CODICE CODE	Tensione di ingresso Input voltage (Vac)	Frequenza di rete Input frequency (Hz)	Potenza di uscita Output power (W)	Comando Command	Tensione di uscita Output voltage (Vdc)	Corrente di uscita Output current (mA)	PFC (λ)	CC CV	Peso Weight (g)
LE7524P	220-240	50÷60	75	PUSH	24	3120	0,96	CV	250
LE10024P			100			4160			



Technical Features

Input voltage range 220-240Vac
Input frequency 50÷60Hz
Constant voltage output 24Vdc
Brightness adjustment through:
- **push-button (PUSH 230Vac)**
«LEVEL MEMORY» and «STATUS MEMORY» function
Synchronization of multiple power supplies via cable (max 10 SLAVE)
Open circuit protection (OCP)
Protection against overtemperature (OTP)
Short circuit protection (SCP)
Power factor correction (PFC) $\lambda \geq 0,96$
Operating ambient temperature $T_a -10^\circ\text{C} \div +40^\circ\text{C}$
Max case temperature on $T_c 70^\circ\text{C}$

Reference standards

EN 55015
EN 61000-3-2
EN 61000-3-3
EN 61347-1
EN 61347-2-13
EN 61547

MADE IN ITALY



PRODUCT TO BE DISPOSED DIFFERENTLY
FROM URBAN WASTE

AEE identification nr.IT18040000010321



LEF LIGHTING S.R.L. www.lef Lighting.it
Via Rodolfo Morandi, 9/11 - 50019 Sesto Fiorentino (FI) - ITALY | Tel +39 055 421 77 27 - Fax +39 055 425 44 92

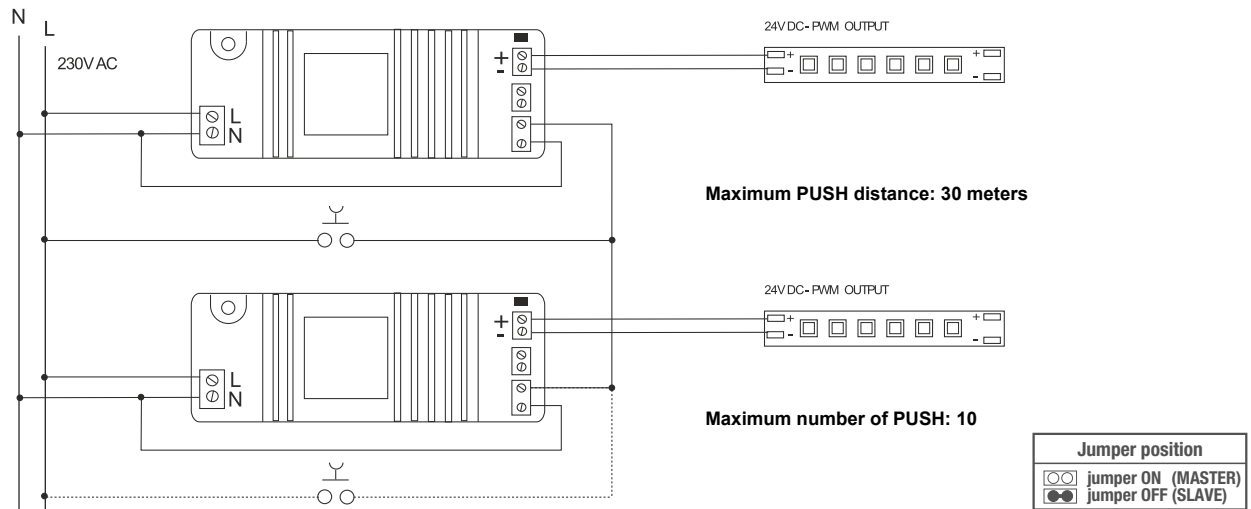
USER GUIDE

Code: LE7524P; LE10024P

Dimmable constant voltage LED driver

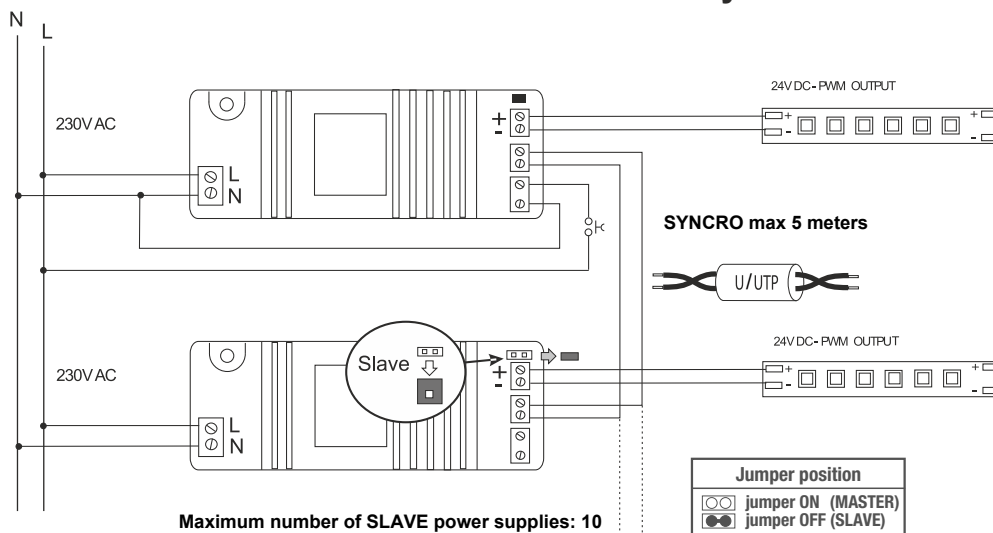


PUSH 230Vac mode and SYNCRO by cable



If the power supplies lose synchronization, by continuously pressing the button > 10sec they will resynchronize.

PUSH 230Vac mode and SYNCRO by U/UTP cable



N.B. Use twisted cable type U / UTP

Use orange-orange white pair for SYNCRO connection.

Respect the polarity of the "SYNCRO" wiring ("+" orange, "-" orange-white).

Keep away from high voltage cables to avoid possible disturbances.

Warnings:

1. Always pay attention to the polarity of the secondary cable
2. Put the system far from heat sources and in well aerated places.
3. Minimum distance from LED 10cm.
4. Thermal protection: if the temperature usually exceeds the limit values, the driver switches off and after a few seconds it switches on again.
5. Avoid short circuit on the secondary side and give tension only after all LEDs have been connected.
6. Lock the terminals carefully but do not tight by hand the terminal screw with excessive power.
7. LEDs connection: always use a 0,5 ... 1,5 mm cable for a maximum length of 10 m. Use a 1.5mmq cable for lengths over 10m, maximum 30m
8. Input wiring: use a minimum 2x0.75 mmq input cable.
9. **SERIOUS USE:** use a load lower than the maximum indicated from 10% to 20% for all types of appliances.
10. Check the maximum working temperature on point tc.