

USER GUIDE

Code: LE10012

CONSTANT VOLTAGE LED DRIVER (CV)



General Characteristics

Plastic case
Driver for independent mounting
Electric class protection II
Protection degree IP20

Reference Standards

EN 55015
EN 61000-3-2
EN 61347-2-13
EN 61547

Ⓛ
PRI
100-240V~

Ⓝ
0.75-2.5 □

LED Driver Constant Voltage
LE10012

PRI: 100-240V~ 50/60Hz 1.2A
SEC: 12V=, 8.3A, Max.100W
 λ : 0.95
 t_a : -20...45°C t_c : 85°C

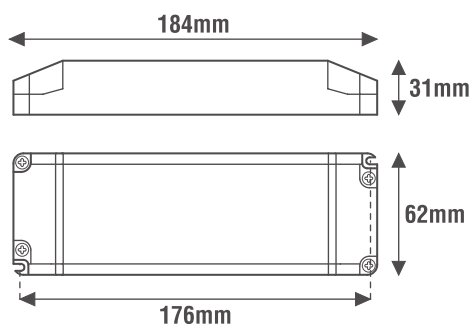
For indoor use only

www.lef.it

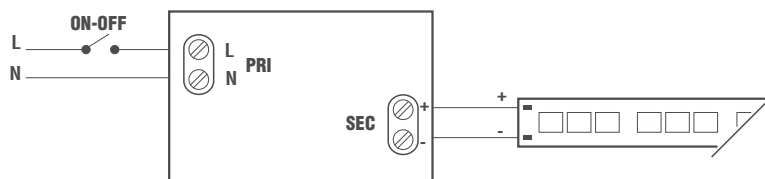
⊕
SEC
12V=
Max. 8.3A
⊖
0.75-2.5 □

MADE IN P.R.C.

| CODICE CODE | Tensione di ingresso Input voltage (Vac) | Frequenza di rete Input frequency (Hz) | Potenza di uscita Output power (W) | | Comando Command | Tensione di uscita Output voltage (Vdc) | Corrente di uscita Output current (mA) | | PFC (λ) | CC CV | Peso Weight (g) |
|----------------|---|---|---|------------|--------------------|--|---|-------|----------------------|----------|-----------------------|
| | | | @110V | @230V | | | @110V | @230V | | | |
| LE10012 | 110-240 | 50÷60 | 100 | 100 | ON-OFF | 12 | 8330 | 8330 | 0,95 | CV | 330 |



Wiring Diagrams



Technical Features

Input voltage range 110-240Vac
Input frequency 50÷60Hz
Constant voltage output 12Vdc
Open circuit protection (OCP)
Overload protection (OLP)
Short circuit protection (SCP)
Power factor correction (PFC) $\lambda \geq 0,95$
Operating ambient temperature T_a -20°C ÷ +45°C
Max case temperature on T_c 85°C

ATTENTION:

The installation of the product must be followed by qualified personnel.

If the product is used for purposes other than the original ones or if it is connected incorrectly, LEF Lighting S.R.L. will not accept any responsibility for damages caused.

[AA] Rev. v3.10 28/05/2019



PRODUCT TO BE DISPOSED
DIFFERENTLY FROM URBAN WASTE

AEE Identification nr.IT18040000010321

MADE IN P.R.C.



LEF LIGHTING S.R.L.

Via Rodolfo Morandi, 9/11 - 50019 Sesto Fiorentino (FI) - ITALY | Tel +39 055 421 77 27 - Fax +39 055 425 44 92 | www.lef.it