

INSTRUCTIONS

Code: BMH35/BMH70/BMH150 Electronic ballasts for discharge lamps - metal halide (M)

Electronic ballasts for discharge lamps - metal halide (M).

Driver for independent mounting.

Electric class protection I.

Protection degree IP20.

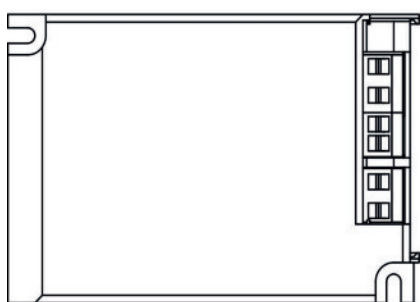
Plastic case (BMH35/BMH70). Plastic/metal case (BMH150).

CODICE CODE	POTENZA POWER (W)	CORRENTE CURRENT (A)	FATTORE DI POTENZA POWER FACTOR (λ)	DIMENSIONI SIZE (mm)		
				A	B	C
BMH35	35	0,18	0,98	135,5	75	30,5
BMH70	70	0,35	0,98	135,5	75	30,5
BMH150	150	0,80	0,98	181	90	39

The installation of the product must be followed by qualified personal.

If the ballast is used for purposes other than the original or if it is connected incorrectly, LEF LIGHTING S.R.L. Will not accept any responsibility for damages caused.

BMH35/BMH70

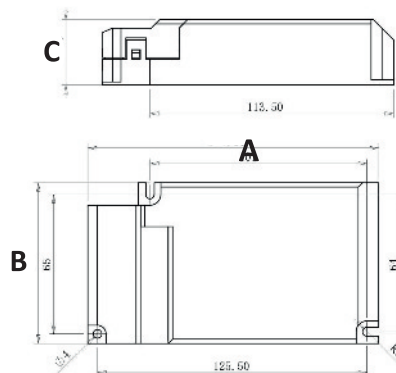


INPUT: 220V-240V
50/60Hz

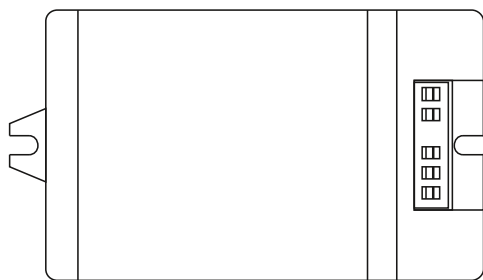
• L
• N

LH Lamp
LL

OUTPUT: <4KV



BMH150

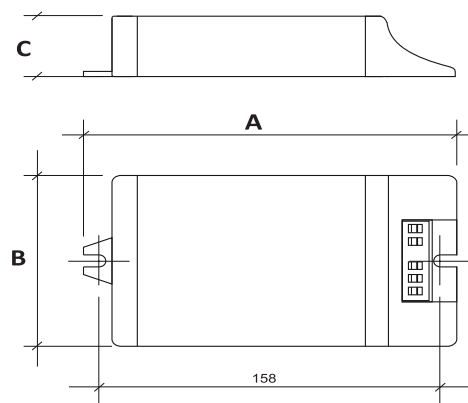


OUTPUT: 3.8-5KV

• Lamp

• L
• N

INPUT: 220V - 240V
50/60Hz



TECHNICAL FEATURES

Input voltage range 220-240Vac

Input frequency 50+60Hz

Protection against overtemperature (OTP)

Short circuit protection (SCP)

Power factor correction (PFC) $\lambda \geq 0,98$

Operating ambient temperature:

Ta -25°C + 50 °C (BMH35), Ta -20°C + 50 °C (BMH70), Ta -25°C + 55 °C (BMH150)

Max case temperature: 85°C (BMH35/BMH70), 80°C (BMH150)

WARNINGS:

-REMOVE THE POWER SUPPLY BEFORE REPLACING THE LAMP

-USE PROPER 600V/4KV CABLE FOR LAMP CONNECTION

-MAX DISTANCE TO THE LAMP FROM THE BALLAST: 3m

-EARTH CONNECTION IS REQUIRED,

-DO NOT CONNECT ANY LAMP TERMINAL TO THE NEUTRAL LINE

-THE POWER SUPPLY ASSEMBLY MUST BE COMPLETELY IN CONTACT WITH A METAL SURFACE (IN ORDER TO ENSURE ADEQUATE THERMAL DISSIPATION)

Reference Standards:

EN 55015

EN 61547

EN 61000-3-2

EN 61000-3-3

EN 61347-2-1

EN 61347-2-3

